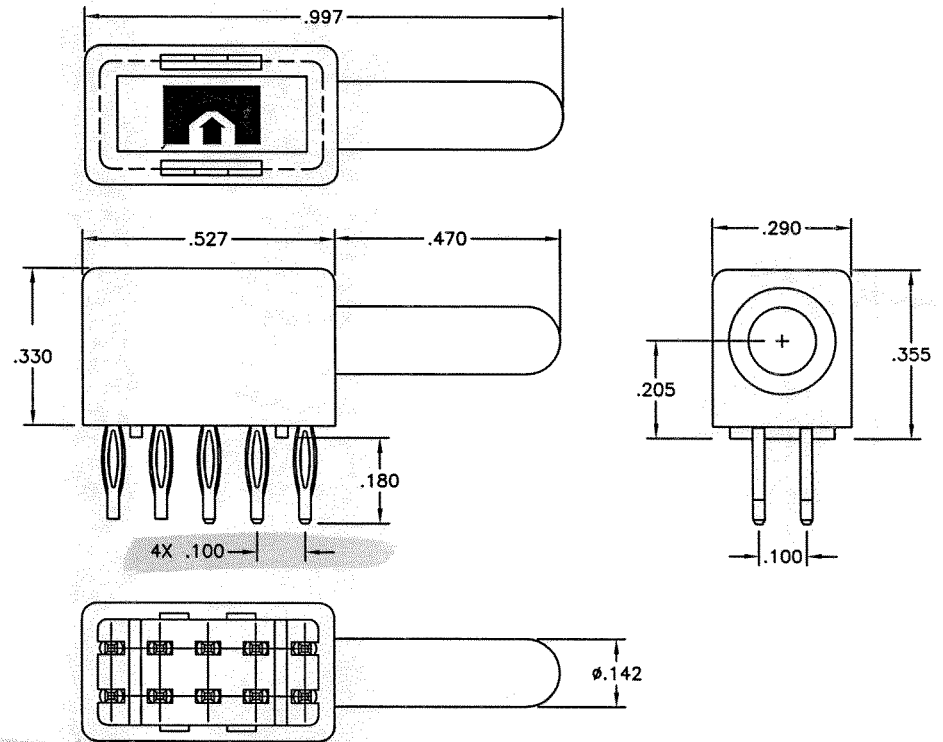


This drawing involves proprietary design rights of Tyco Electronics Corporation, and all design, manufacture, reproduction, use and sale rights regarding the same are expressly reserved. It is submitted for a specific purpose and the recipient by accepting this drawing, assumes custody and control and agrees to take reasonable precautions; (a) that this drawing will not be copied and reproduced in whole or in part, or its contents revealed in any manner, or to any person except to meet the purpose for which it was delivered and (b) that any special features peculiar to this design will not be incorporated in other projects without the expressed written permission of Tyco Electronics Corporation.

REVISIONS			
EC	REV	DESCRIPTION	DATE
	A	NEW RELEASE	07.27.05



6. REFERENCE TYCO ASSEMBLY PART NUMBER 6643222-1

△ A FIVE-POUND (5lb) FORCES REQUIRED TO CORRECTLY SEAT THE CONNECTOR WITH PLATED THRU HOLES LESS THEN ϕ .040 INCH.

4. FINISH:

CROWN HOLDER - SILVER PLATED
 CROWN - GOLD PLATED
 PIN CONTACT - SILVER PLATED

3. MATERIAL:

INSULATOR - POLYESTER, GLASS FILLED, UL 94 V-0 RATED COLOR-BLACK
 CROWN HOLDER - PHOSPHOR BRONZE
 CROWN - BECU
 PIN CONTACT - BRASS

2. ITEMS PROVIDED TO THIS SPECIFICATION SHALL BE IDENTIFIED ON CONTAINER WITH THE FOLLOWING INFORMATION PART NUMBER AND DATE CODE OF MANUFACTURE.

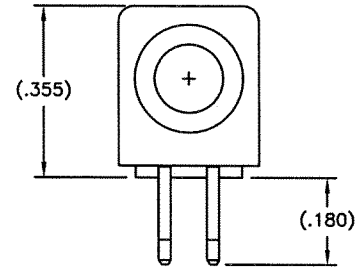
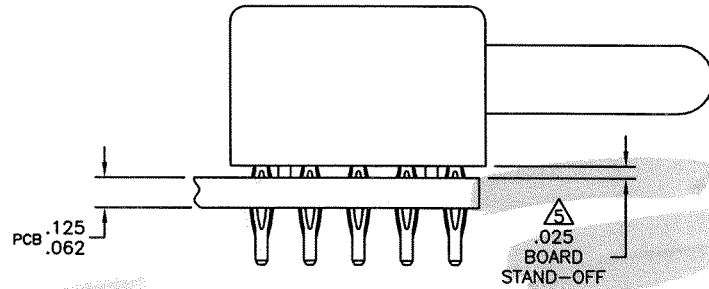
1. PART NUMBER CHANGES AND/OR DESIGN CHANGES AFFECTING ITEM INTERCHANGEABILITY REQUIRE PRIOR TYCO APPROVAL AND AUTHORIZATION BY REVISION TO THIS DRAWING.

NOTES: UNLESS OTHERWISE SPECIFIED

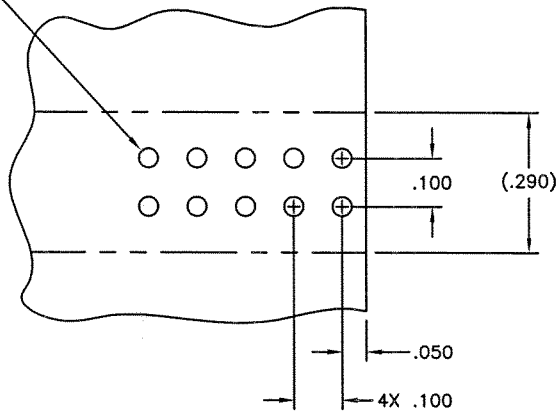
INCH OR INCH (MM) THIRD ANGLE PROJECTION UNLESS OTHERWISE SPECIFIED DIMENSIONS ARE IN INCHES (METRIC) TOLERANCES ANGLES \pm .5° DECIMALS .XXX \pm .020 [.508] .XX \pm	DRAWN RHM/LOVATO	DATE 07.27.05	 Tyco Electronics Corporation Menlo Park, Ca 94025 	TITLE PARALLEL PIN, SLIMLINE ICCON COMPLIANT, NON-LOCKING, .470 PIN EXT
	CHECKED			
	APPROVED		SIZE DWG NUMBER B C-6643222	REV. A
	DCA APPROVED		ACAD FILE NUMBER C6643222A.DWG	DWG SCALE 4=1 SH 1 OF 2

This drawing involves proprietary design rights of Tyco Electronics Corporation, and all design, manufacture, reproduction, use and sale rights regarding the same are expressly reserved. It is submitted for a specific purpose and the recipient by accepting this drawing, assumes custody and control and agrees to take reasonable precautions: (a) that this drawing will not be copied and reproduced, in whole or in part, or its contents revealed in any manner, or to any person except to meet the purpose for which it was delivered and (b) that any special features peculiar to this design will not be incorporated in other projects without the expressed written permission of Tyco Electronics Corporation.

REVISIONS			
EC	REV	DESCRIPTION	DATE
		SEE SHEET 1	



DRILLED HOLE DIAMETER
 $.0453 \pm .001$
 AFTER PLATING
 $\phi .043 / .037$ 10X



SUGGESTED PCB FOOTPRINT

INCH MM THIRD ANGLE PROJECTION UNLESS OTHERWISE SPECIFIED DIMENSIONS ARE IN INCHES (METRIC) TOLERANCES ANGLES $\pm .5^\circ$ DECIMALS $.XXX \pm .020$ [.508] $.XX \pm$	DRAWN	DATE	Tyco Electronics Corporation Menlo Park, Ca 94025
	RHM/LOVATO	07.27.05	
	CHECKED		
	APPROVED		
	APPROVED		TITLE
	DCA APPROVED		PARALLEL PIN, SLIMLINE ICCON COMPLIANT, NON-LOCKING, .470 PIN EXT
	ACAD FILE NUMBER	C6643222A.DWG	SIZE DWG NUMBER B C = 6643222
			REV. A
			DWG SCALE 4=1 SH 2 OF 2