

NOTES:

1. MATERIALS AND FINISHES:

- FERRULE - BRASS, NICKEL PLATING
- SPACER - BRASS, NICKEL PLATING
- SLEEVE - PTFE, NATURAL
- BODY - BRASS, NICKEL PLATING
- CONTACT - BRASS, GOLD PLATING
- INSULATOR - PTFE, NATURAL

2. ELECTRICAL:

- A. IMPEDANCE: 50 OHM, NOMINAL
- B. FREQUENCY RANGE: 0-6 GHz
- C. VSWR: 1.5, MAX.
- D. D.W.V: 1200 VRMS, MIN.

3. MECHANICAL:

- A. DURABILITY: 500 CYCLES MIN.
- B. TEMPERATURE RANGE: -65°C TO +165°C

4. CRIMPED FERRULE HEX CRIMP SIZE .178"

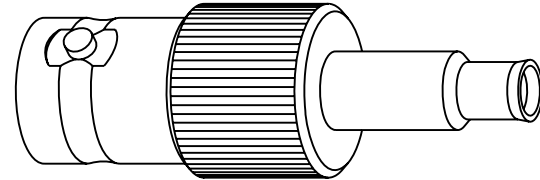
5. CRIMPED CONTACT PIN HEX CRIMP SIZE .068" OR SOLDER

6. SHOWS CABLE ENTRY DIMENSIONS.

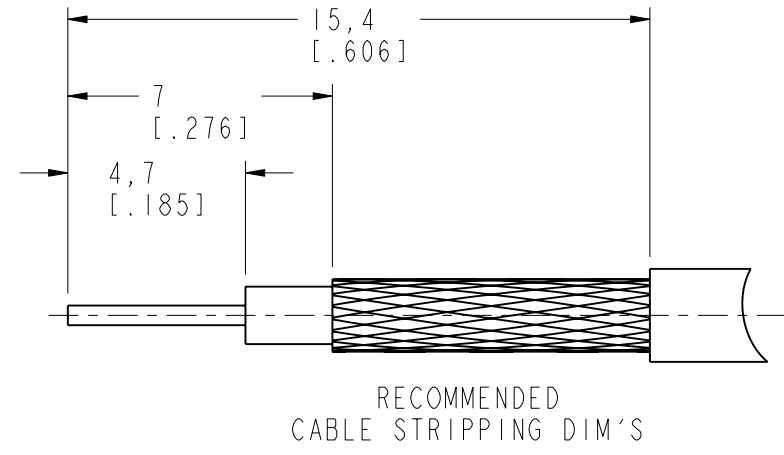
THIRD ANGLE PROJ.

REVISIONS

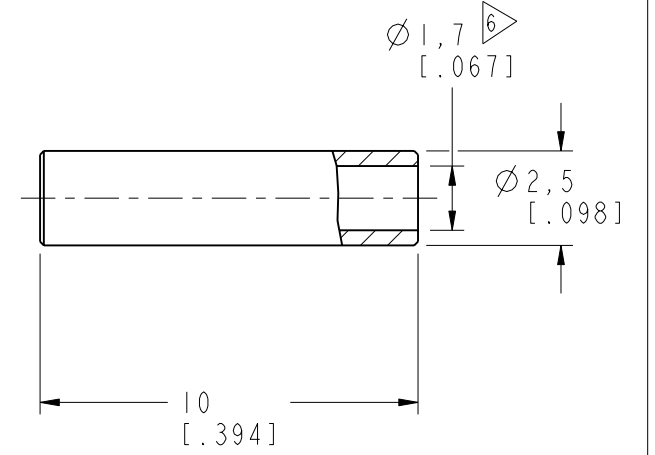
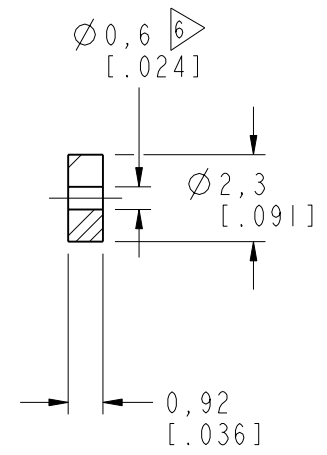
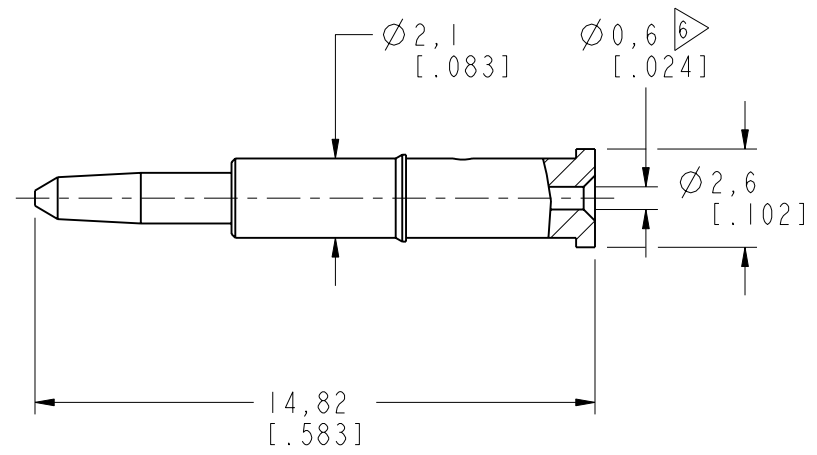
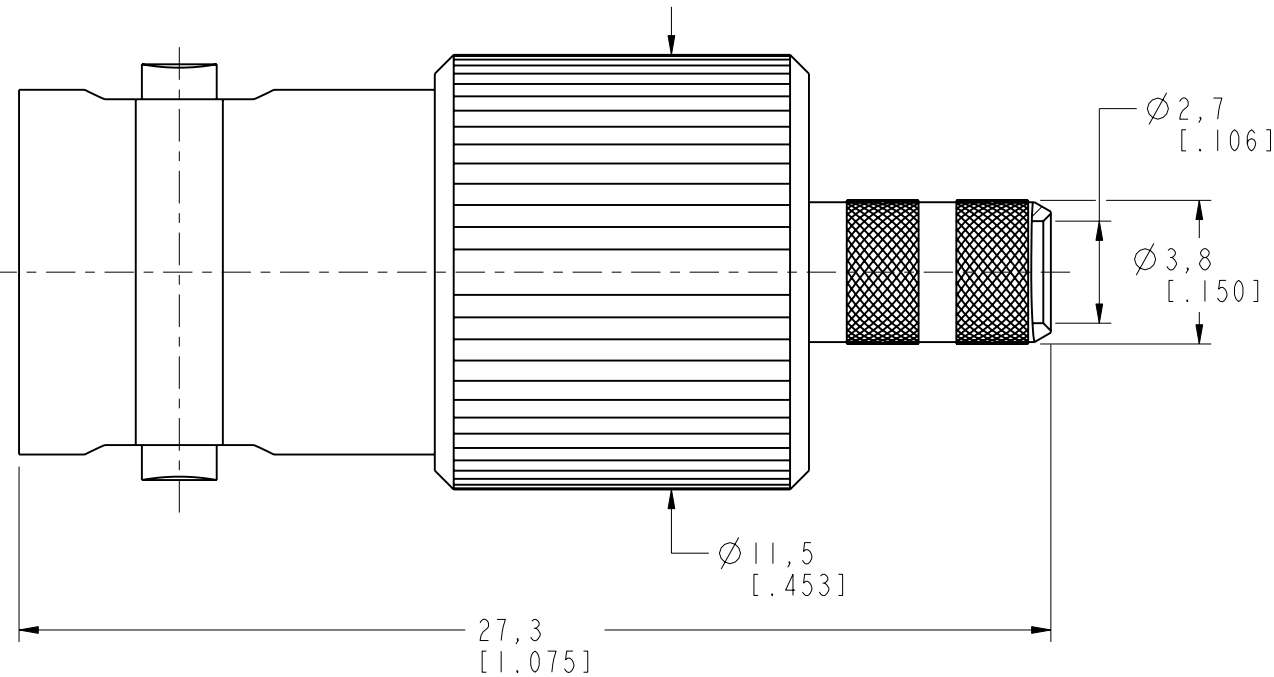
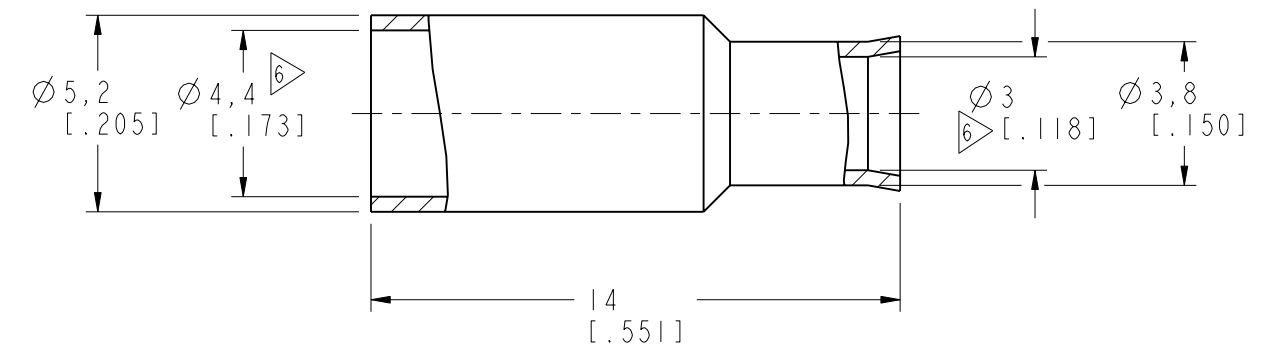
REV	DESCRIPTION	DATE	ECO	APPR
NC	INITIAL RELEASE	07-Oct-99	----	GRS
A	UPDATE DRAWING FORMAT	28-Jul-06	----	GRS
B	SYCN, UPDATE INNER STRUCTURE	23-Jun-16	02465	MZ



SCALE 2.000



RECOMMENDED CABLE STRIPPING DIM'S



**CUSTOMER OUTLINE DRAWING**  
ALL OTHER SHEETS ARE FOR INTERNAL USE ONLY

<p>UNLESS OTHERWISE SPECIFIED, DIMENSIONS ARE IN METRIC AND TOLERANCES ARE:                  &lt;0.5mm ±0.05mm    0.5 - 6mm ±0.1mm    6 - 30mm ±0.2mm    30 - 120mm ±0.3mm    ANGLES ±1°</p> <p>NOTICE - These drawings, specifications, or other data (1) are, and remain the property of Amphenol corp. (2) must be returned upon request; and (3) are confidential and not to be disclosed to any person other than those to whom they are given by Amphenol Corp. the furnishing of these drawings, specifications, or other data by Amphenol Corp., or to any other person for any purpose is not to be regarded by implication or otherwise in any manner licensing, granting rights to permitting such holder or any other person to manufacture, use or sell any product, process or design, patented or otherwise, that may in any way be related to or disclosed by said drawings, specifications, or other data.</p>	MATERIAL	DRAWN M. ZHANG	DATE 23-Jun-16	<p>TITLE BNC REVERSE POLARITY CRIMP JACK (FOR RG-174/U, 188A/U, 316/U CABLE)</p>	<p>Amphenol RF www.amphenolrf.com</p>
	REFERENCE AND CONFIGURATION LEVEL: In Work	ENGINEER S. DUAN	DATE 23-Jun-16		
FINISH	APPROVED S. HSIEH	DATE 23-Jun-16	SCALE: 5.0:1.0	SHEET 2 OF 2	ITEM NO. 516121AAC36NA5F
			DWG SIZE B	REV B	PART NO. 112160RP