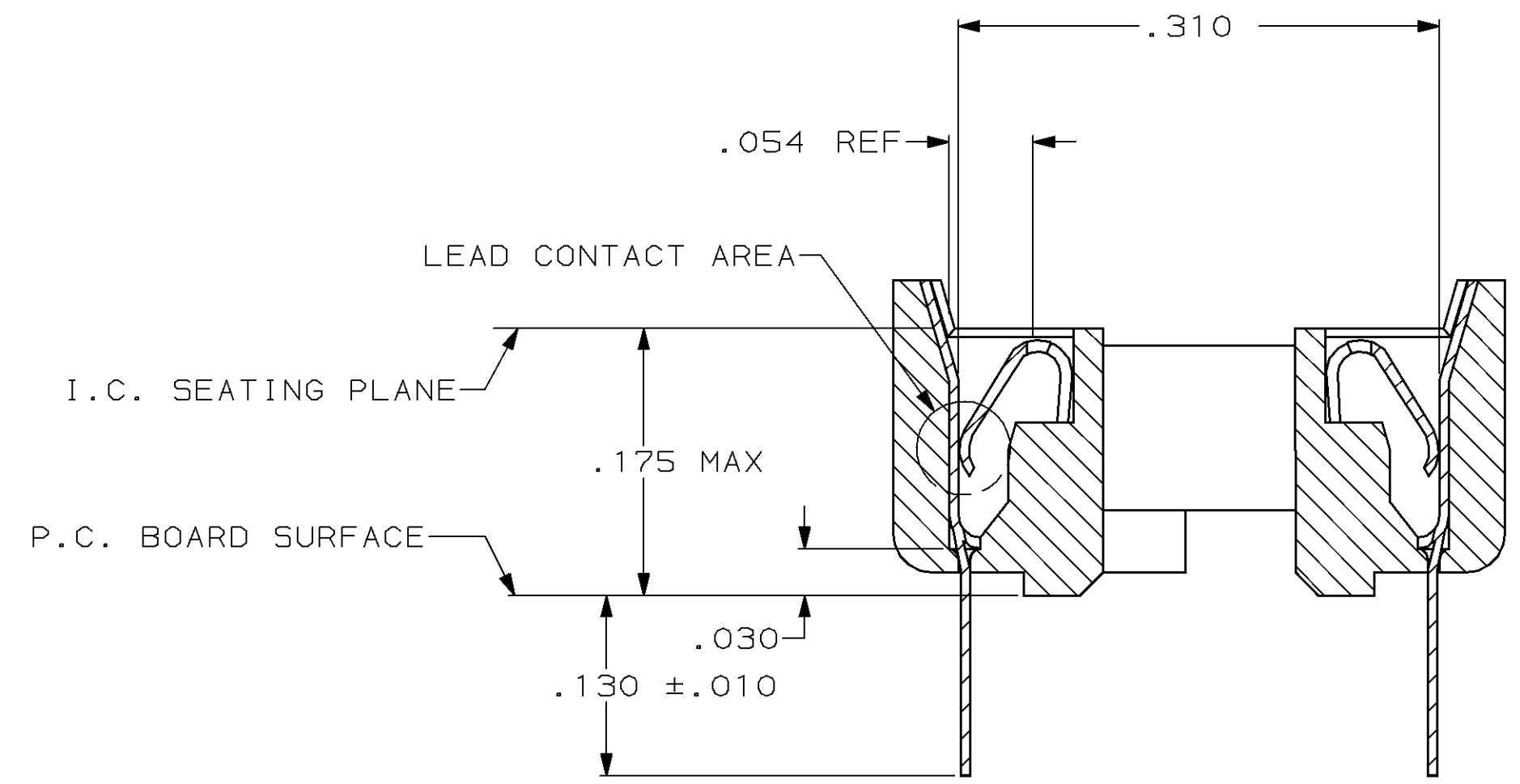
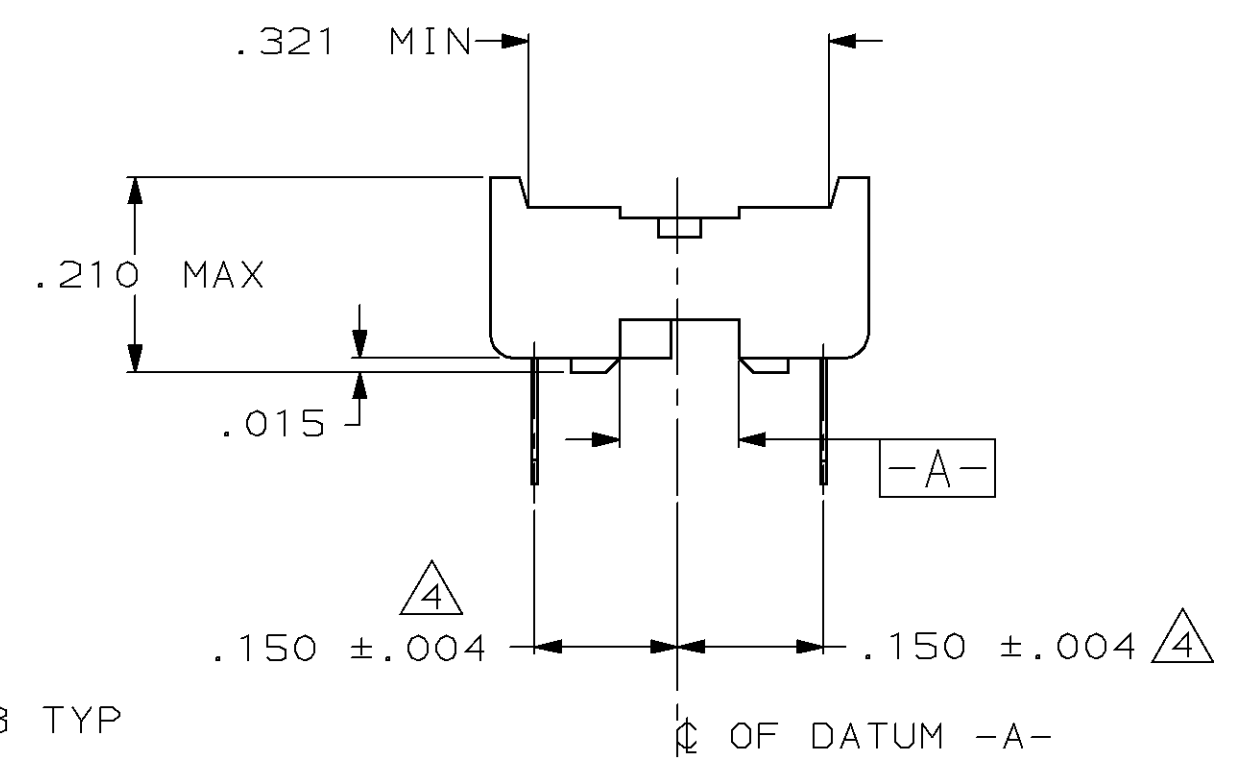
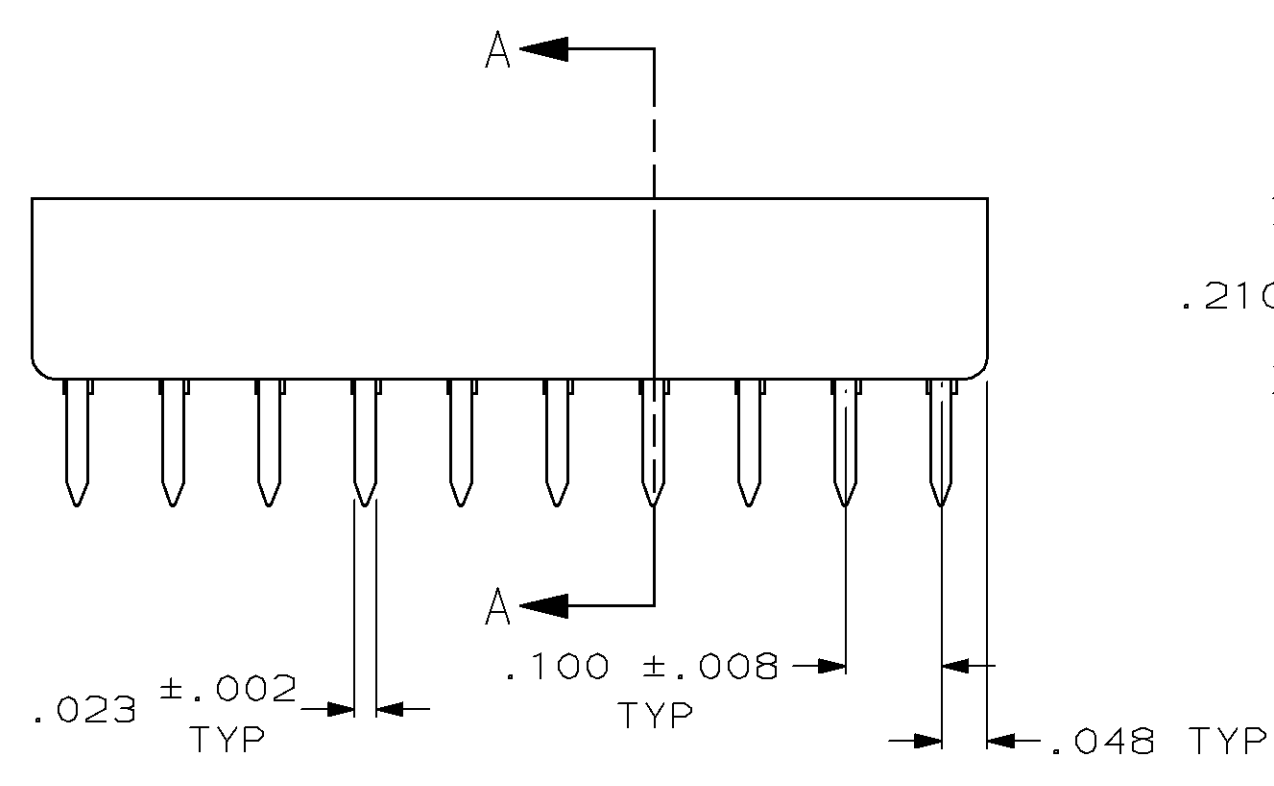
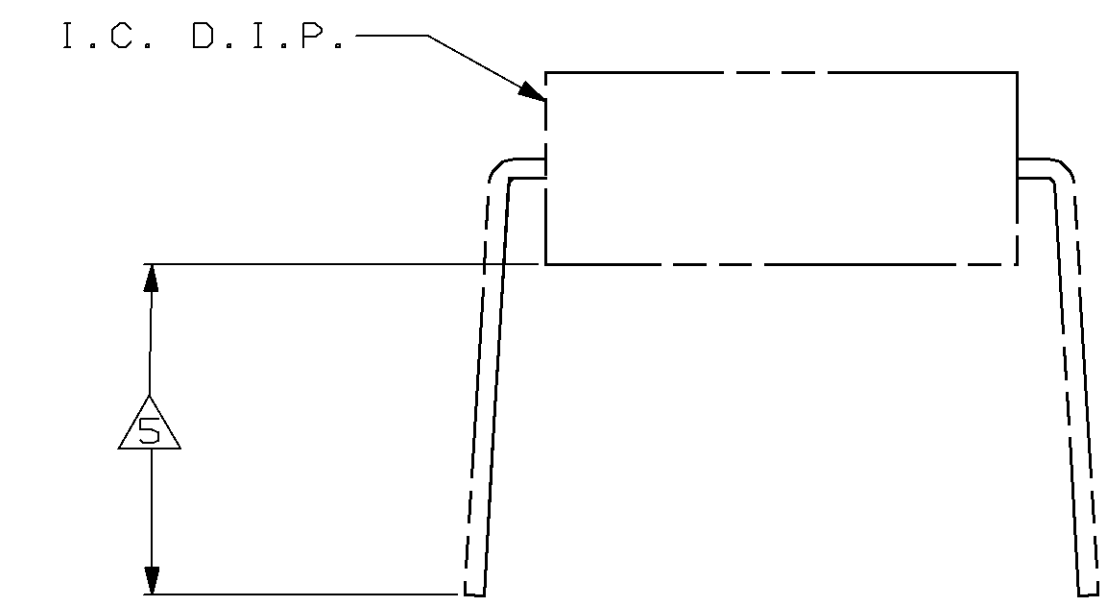
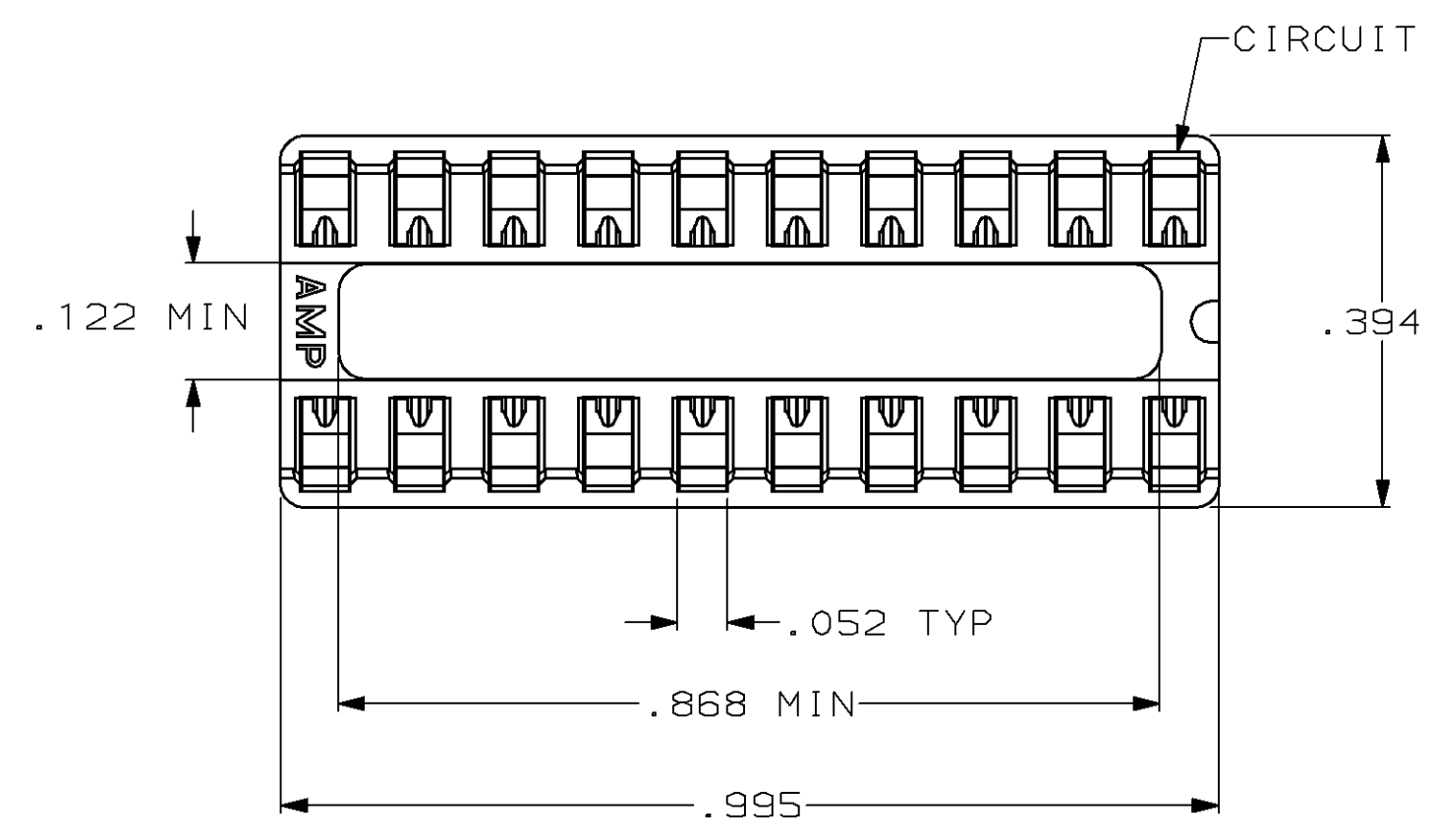
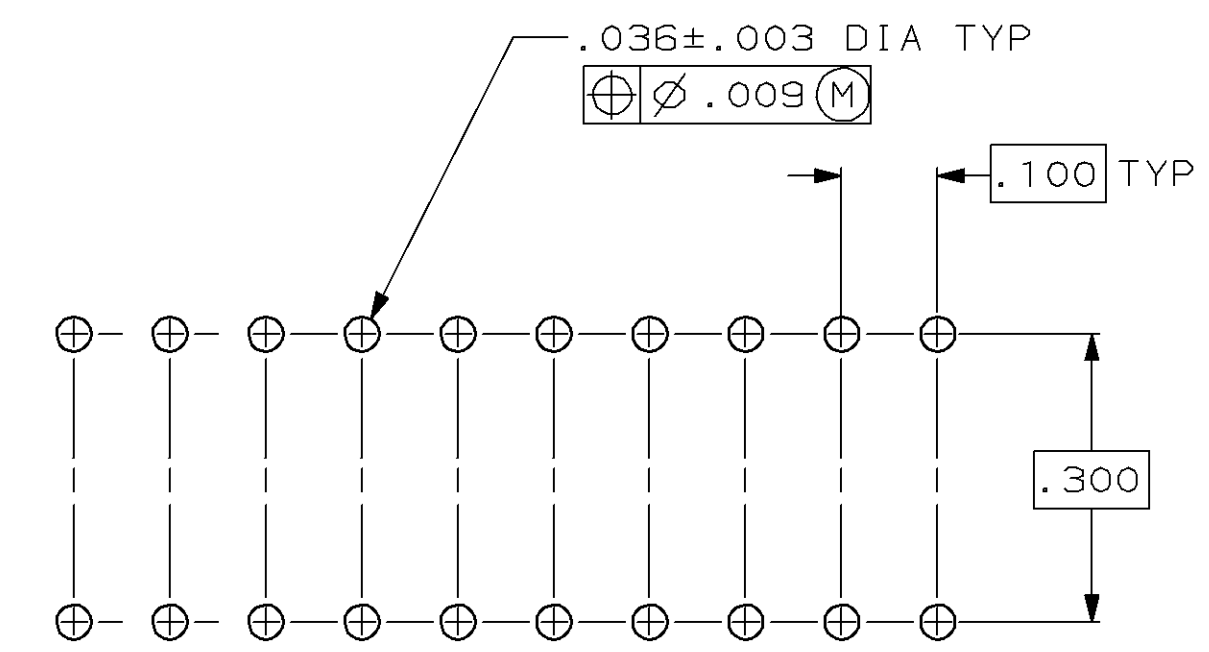


LOC	DIST	REVISIONS			
P	LTR	DESCRIPTION	DATE	OWN	APVD
D		REV PER EC 0320-138-97	01 MAY 97	BC	GJ

1. RECEPTACLE ACCEPTS A .008-.014 THICK I.C. LEAD.
- ② HOUSING MATERIAL: GLASS FILLED THERMOPLASTIC 94V-0 BLACK.
- ③ TUBE LOADED FOR AUTOMATIC INSERTION.
- ④ DESIGNED FOR BRICKWALL CAPABILITY.
- ⑤ RECOMMENDED I.C. LEG LENGTHS.
  - 1) .100 MIN FOR A RELIABLE CONTACT INTERFACE.
  - 2) .120 MAX TO ALLOW I.C. BODY TO SEAT ON SOCKET.
  - 3) LONGER LEADS MAY BE USED, BUT I.C. CANNOT BE FULLY SEATED ON SOCKET.



SECTION A-A  
SCALE 10:1



RECOMMENDED MOUNTING HOLE PATTERN

SUPERSEDED BY 2-382515-3	③	.006 THK PHOS BRZ, TINNED	2-382515-5
		.006 THK PHOS BRZ, TINNED	2-382515-3
		.006 THK BE CU, PRE-TIN PLATED	2-382515-1
OBSELETE	PACKAGING	CONTACT; MATL & FINISH	PART NO

THIS DRAWING IS A CONTROLLED DOCUMENT.		OWN K. SALMON 15 MAY 90	AMP Incorporated Harrisburg, PA 17105-3608	
DIMENSIONS INCHES		CHK R. MILLER 15 MAY 90	NAME R. PRIDDY 15 MAY 90	
TOLERANCES UNLESS OTHERWISE SPECIFIED:		PRODUCT SPEC		
0 PLC	±-	108-1066		
1 PLC	±-	APPLICATION SPEC		
2 PLC	±.005	114-1049		
3 PLC	±-	WEIGHT -		
4 PLC	±-	SIZE CAGE CODE DRAWING NO		
ANGLES	±-	A1 00779 C=382515		
MATERIAL	FINISH	RESTRICTED TO		
SEE TABLE	SEE TABLE	CUSTOMER DRAWING		
		SCALE 5:1		SHEET 1 OF 1