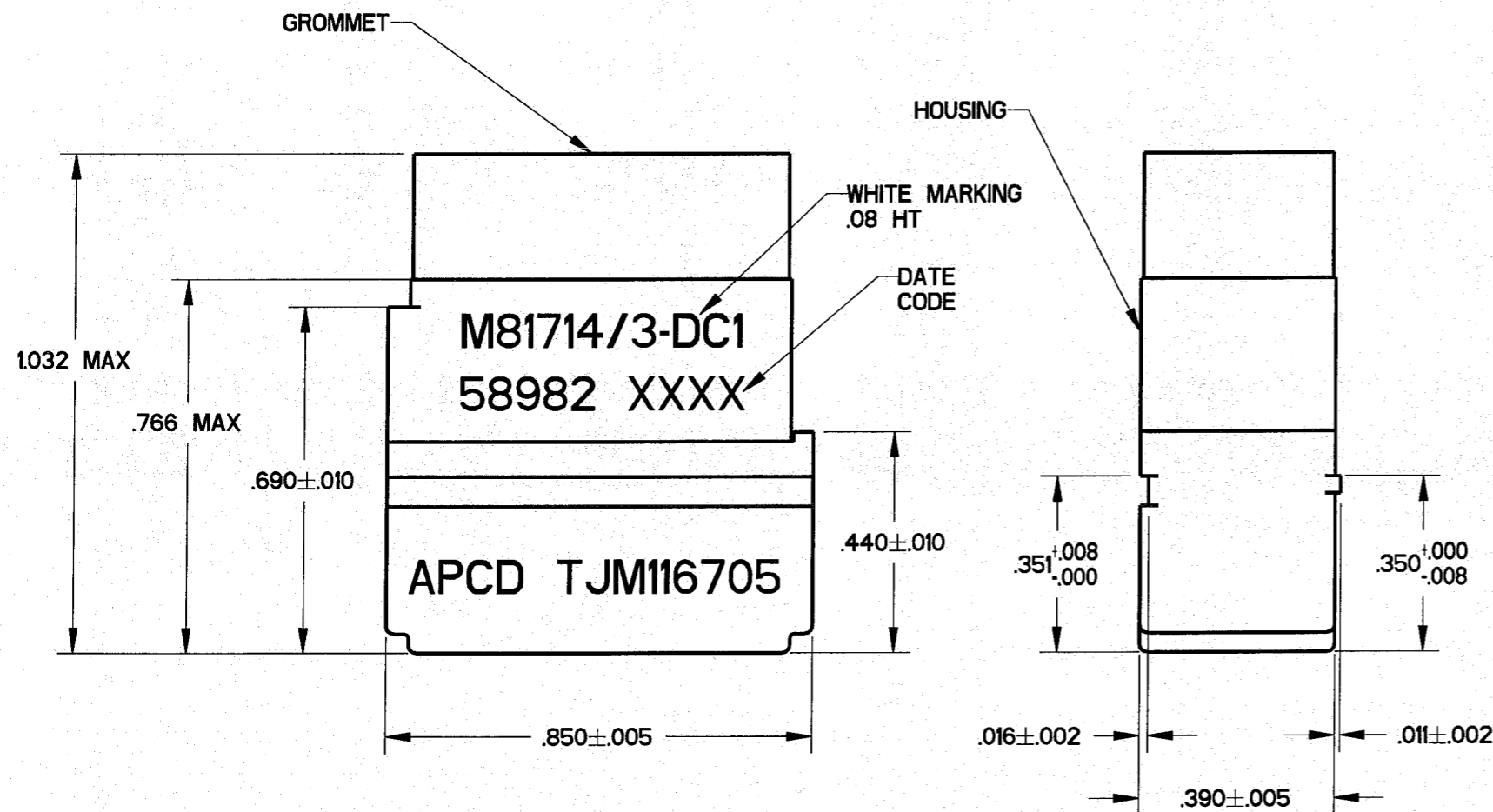
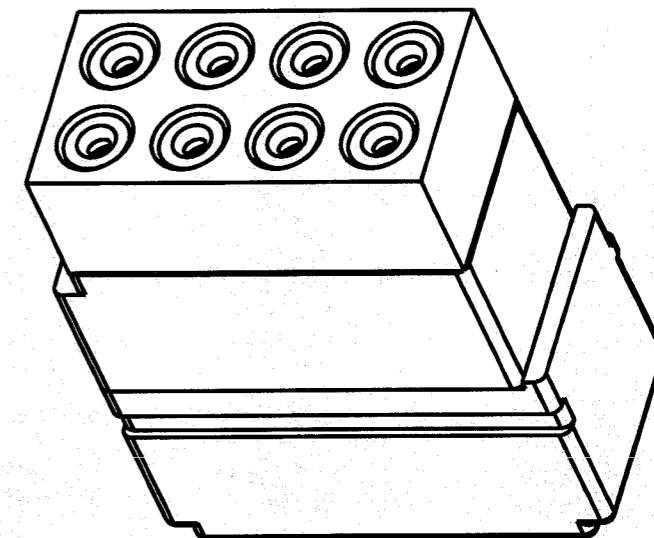
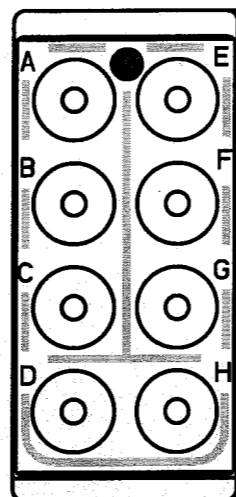


REV	ECN	APP'D
R	2451	JR 08/15/95
S	5569	JT 1/4/05
T	5748	JT 12/2/05
U	6460	JT 1/5/10



- NOTES
- PERFORMANCE:
    - A) MEETS PERFORMANCE AND ENVIRONMENTAL REQUIREMENTS OF SAE AS81714. MILITARY QUALIFIED
    - B) MODULES ARE TO BE MOUNTED INTO RACK ASSEMBLY M81714/5 OR /16 OR COMMERCIAL EQUIVALENT.
    - C) DIELECTRIC WITHSTANDING VOLTAGE: 1500 VRMS AT SEA LEVEL, 200 VRMS AT 100,000 FEET.
    - D) OPERATING TEMPERATURE: -65°C TO 200°C.
    - E) CURRENT RATING: 13 AMPS
  - MATERIALS:
    - A) HOUSING - POLYETHERIMIDE, COLOR: BLACK.
    - B) GROMMET - SILICONE ELASTOMER, COLOR: BLUE.
    - C) INTERNAL CONTACTS - COPPER ALLOY, GOLD PLATED.
    - D) CONTACT RETAINERS - STAINLESS STEEL.

APCD P/N	SUPPLIED		MARKING	
	PINS	PLUGS	APCD QPL NO.	MIL NO.
TJM116605	----	----	TJM116705	M81714/3-DC1
TJM116705	9	2		

<b>DIMENSIONS</b> ANSI Y14.5M UNITS: INCHES Pro/E FILE	<b>TOLERANCES</b> .XX ±0.01 .XXX ±0.008 ANGLES ±10°	<b>PROJECTION</b> 	<b>Amphenol Pcd</b> SPECIFICATION DRAWING		<b>TITLE</b> TERMINAL JUNCTION MODULE SZ-16 FEEDBACK, C1 BUS		
			ENGR S. STONE 12/28/04	SIZE <b>B</b> DWG NO. <b>TJM116605</b>		REV <b>U</b>	
ORIGINAL 	THIS DOCUMENT CONTAINS PROPRIETARY INFORMATION WHICH IS THE CONFIDENTIAL PROPERTY OF AMPHENOL PCD INC. BEVERLY, MA, USA		CHKD  1/5/2010 APPD  1/5/2010	CODE: 58982	SHEET 1 OF 1		

TJM116605

TJM116605