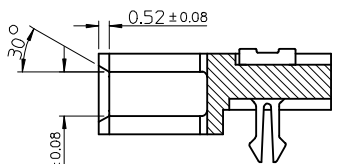
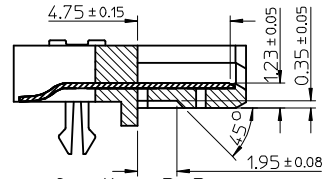


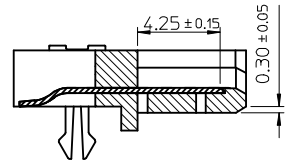
P/N	CONTACT AREA PLATING	REMARK	△PACKAGE
67490-3220	GOLD FLASH	PURE TIN	PK-67490-001 (TRAY)
67490-3221	0.76 MICRONS GOLD PLATED		
67490-3225	0.38 MICRONS GOLD PLATED	PURE TIN	PK-67490-005 (TAPE&REEL)
67490-3230	GOLD FLASH		
67490-3231	0.76 MICRONS GOLD PLATED		
67490-3235	0.38 MICRONS GOLD PLATED		



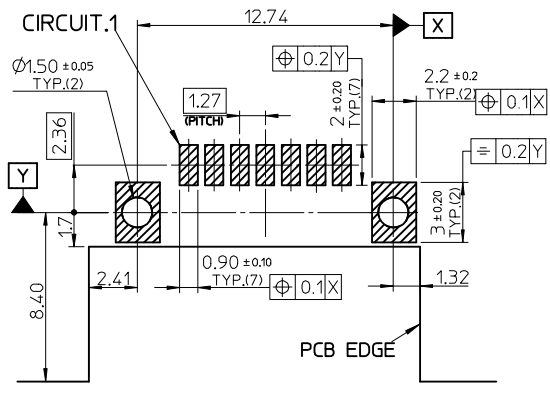
Section A-A



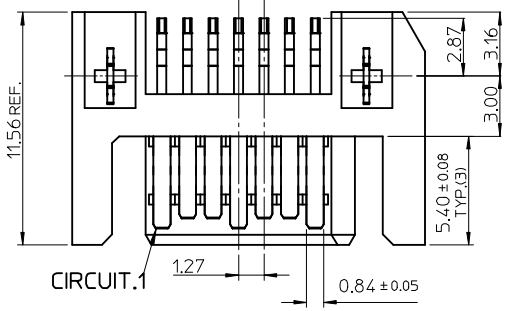
Section B-B



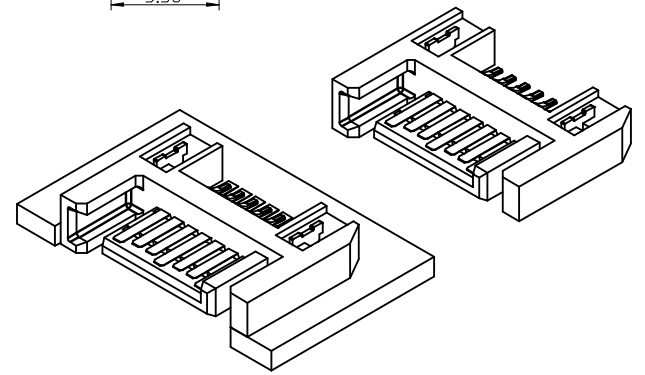
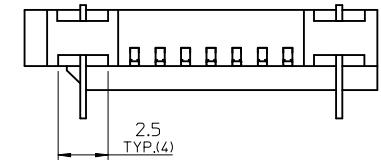
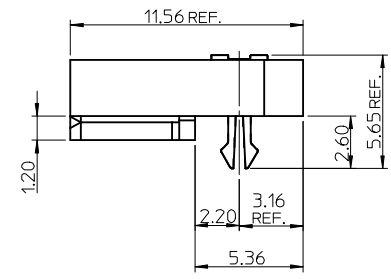
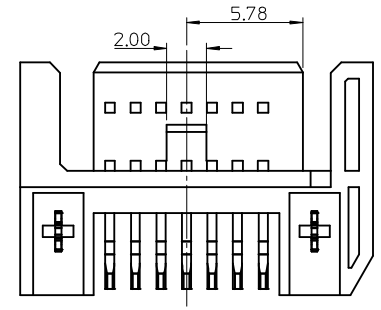
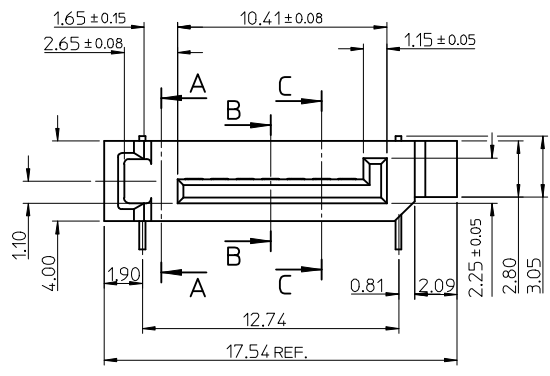
Section C-C



RECOMMEND PCB LAYOUT (t=1.6)



CIRCUIT.1



- NOTES:
- MATERIAL:  
HOUSING: HIGH TEMPERATURE THERMAL PLASTIC  
GLASS FILLED, UL94V-0, COLOR: BLACK  
TERMINAL/FORKLOCK: COPPER ALLOY  
MYLAR: ADHENSIVE MYLAR 4.5MM X 15.5MM
  - TERMINAL PLATING:  
CONTACT AREA: GOLD PLATED  
SOLDERING TAIL: 1.27 MICRONS MINIMUM TIN PLATED  
UNDER PLATE: NICKEL 1.27 MICRONS MINIMUM NICKEL PLATED
  - FORKLOCK PLATING:  
1.27 MICRONS MINIMUM TIN PLATED OVERALL 1.27 MICRONS MINIMUM NICKEL UNDER-PLATED
  - △PACKAGING SPECIFICATION REFER TO PK-67490-00\*
  - PRODUCT SPECIFICATION REFER TO PS-67490-001
  - MATING PART: 67538,67489
  - PRODUCT COMPLIANT TO RoHS DIRECTIVE 2002/95/EC AND ELV 2000/53/EC.

<b>ADD PART NUMBER</b> EC NO: SH2008-0665 DRWN: LSONG09 2008/08/07 CHKD: XJ SONG 2008/08/13 APPR: HWANG 2008/09/01	<b>QUALITY SYMBOLS</b> ▽=0 ◻=0	<b>GENERAL TOLERANCES (UNLESS SPECIFIED)</b>		<b>DIMENSION STYLE</b> MM ONLY	<b>SCALE</b> 4:1	<b>DESIGN UNITS</b> METRIC	THIRD ANGLE PROJECTION
		4 PLACES ± --- ± --- 3 PLACES ± --- ± --- 2 PLACES ± 0.15 ± --- 1 PLACE ± 0.25 ± ---	mm INCH	DRAWN BY RICHARD	DATE '01/05/28	TITLE SATA SYSTEM PLUG R/A REVERSE TYPE	
		ANGULAR ± 3 °		CHECKED BY VINCENT	DATE '01/05/28	MOLEX INCORPORATED	
		DRAFT WHERE APPLICABLE MUST REMAIN WITHIN DIMENSIONS		APPROVED BY ERICK	DATE '01/05/28		DOCUMENT NO. SD-67490-001
SIZE A3	THIS DRAWING CONTAINS INFORMATION THAT IS PROPRIETARY TO MOLEX INCORPORATED AND SHOULD NOT BE USED WITHOUT WRITTEN PERMISSION				SHEET NO. 1 OF 1		