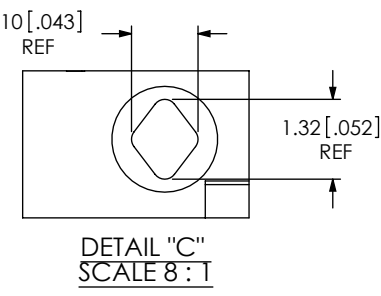
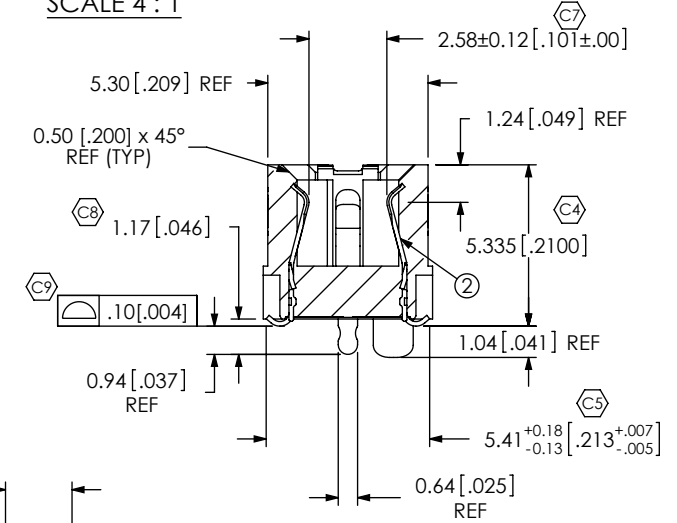
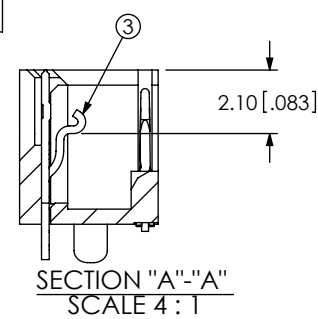
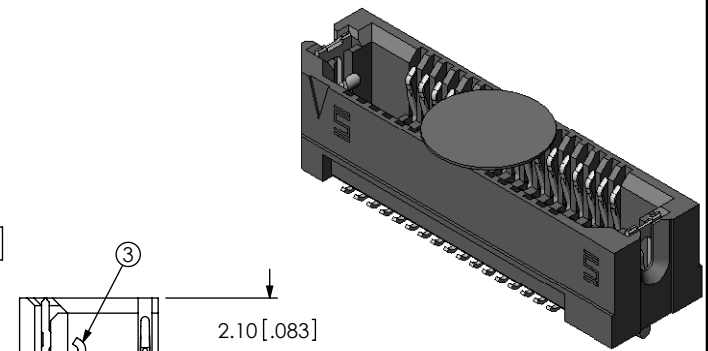
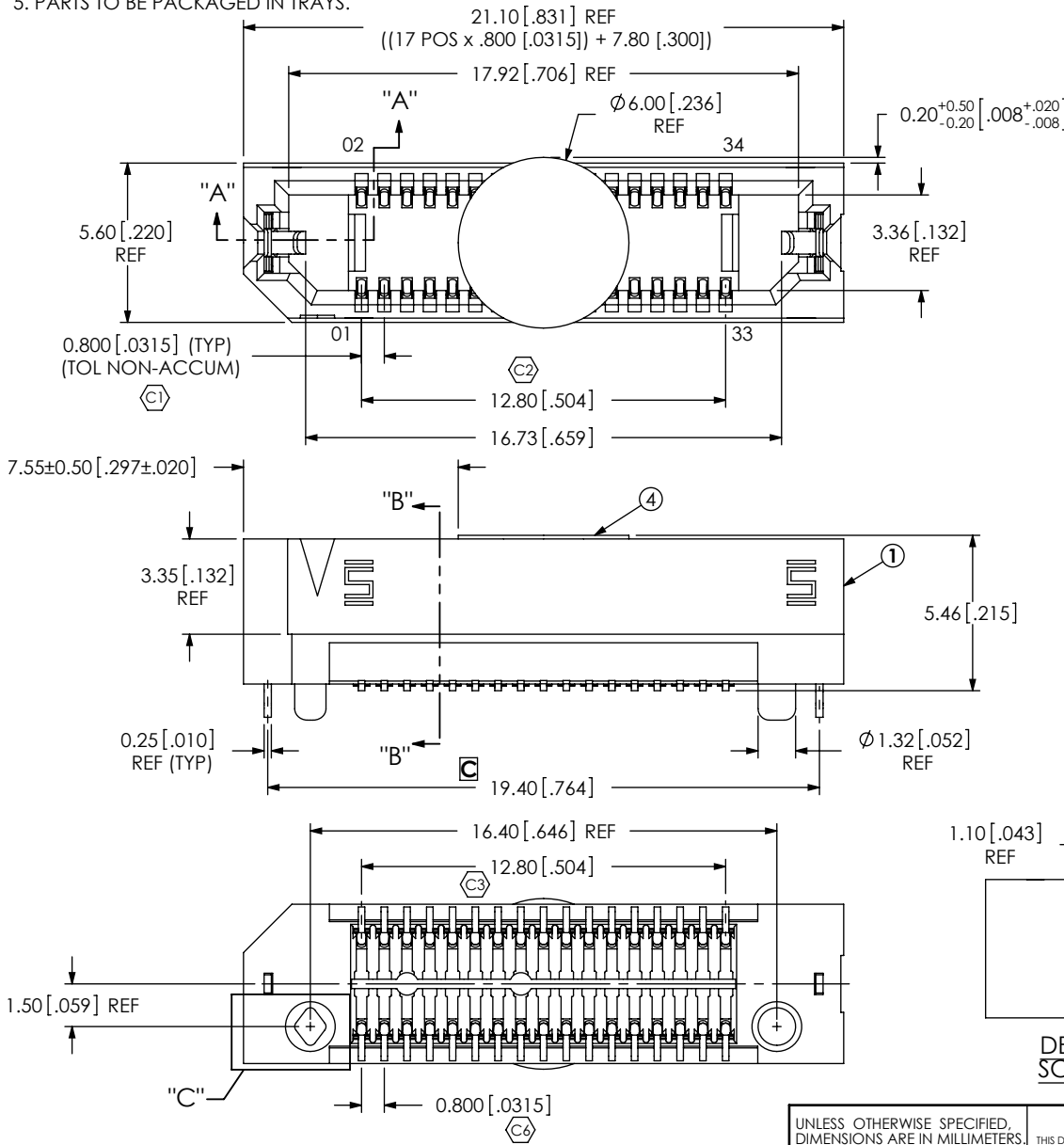


NOTES:

1. ITEM 1 NOT AVAILABLE AS STANDARD.
2. Ⓢ REPRESENTS A CRITICAL DIMENSION.
3. MAXIMUM BURR ALLOWANCE: .038 [.0015].
4. MINIMUM PUSHOUT FORCE: 2.22N [.5LB].
5. PARTS TO BE PACKAGED IN TRAYS.

REVISION

0	DF	D FRALEY
2/5/2008	ECN-85872	
ISSUE FOR REVIEW.		
A	CZ	D Fletcher
5/14/2008	ECN-90840	
RELEASE FOR PRODUCTION, BOM, CHG ITEM 5 FROM ASP TRAY TO TY-ASP123.		
B	NM	J FREEMAN
2/17/2009	ECN-105620	
TOP VIEW: CHG FORMULA FOR BODY LENGTH FROM "17 X.800 + 7.50" TO "17 X.800 + 7.80"		
C	LF	E Fox
6/4/2009	ECN-111454	
SHT 1, TOP VIEW: CHG DIM "21.40" TO "21.10"; FRONT VIEW: CHG DIM "19.70" TO "19.40"		
D	JB	Z Paden
3/2/2010	ECN-126266	
SHT 2, RECOMMENDED PCB LAYOUT: DEL 4.90(TYP), ADD 1.80 REF, CHG 5.61 TO 5.80, CHG Ø0.83±0.02 TO Ø0.83±0.05, ADD NOTE "TO BE SOLDERED USING PASTE-IN-HOLE TECHNOLOGY"; RECOMMENDED STENCIL LAYOUT: CHG Ø1.58 (2 PLCS) TO Ø2.24(2 PLCS).		



<input type="checkbox"/>	ACCEPTANCE OF DRAWING
<input type="checkbox"/>	ACCEPTED WITH DEVIATIONS LISTED
DATE:	CUSTOMER SIGNATURE
COMPANY:	PRINTED NAME
PHONE No:	PHONE No:
FAX No:	FAX No:

ITEM NO.	PART NUMBER	QUANTITY	MATERIAL
1	ASP-136451-03-B	1.0000	VECTRA E130i, COLOR: BLACK
2	C-211-05.0-S	34.0000	BeCu, 390 HT
3	WT-30-01-F	2.0000	BeCu, #25, 1/2 HT
4	K-500-300	1.0000	POLYIMIDE FILM
5	TY-ASP123	1.0000	ANTI-STATIC BLACK HIPS

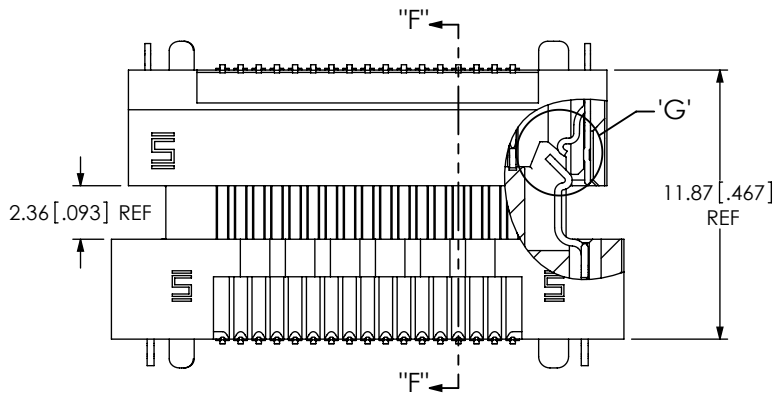
UNLESS OTHERWISE SPECIFIED, DIMENSIONS ARE IN MILLIMETERS. TOLERANCES ARE:
 DECIMALS ANGLES
 .X: ±.3[.01] 2°
 .XX: ±.13[.005]
 .XXX: ±.051[.0020]

PROPRIETARY NOTE
 THIS DOCUMENT CONTAINS INFORMATION CONFIDENTIAL AND PROPRIETARY TO SAMTEC, INC. AND SHALL NOT BE REPRODUCED OR TRANSFERRED TO OTHER DOCUMENTS OR DISCLOSED TO OTHERS OR USED FOR ANY PURPOSE OTHER THAN THAT WHICH IT WAS OBTAINED WITHOUT THE EXPRESSED WRITTEN CONSENT OF SAMTEC, INC.

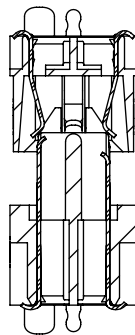
520 PARK EAST BLVD., NEW ALBANY, IN 47150
 PHONE: 812-944-6733 FAX: 812-948-5047
 e-Mail: info@SAMTEC.com code 53322

DO NOT SCALE DRAWING SHEET SCALE: 1:0.3333333333333333
 PLATING: CONTACT AREA: .000030 GOLD OVER .000050 NICKEL
 REMAINDER: .000200 REF TIN OVER .000050 NICKEL
 LATCHES: .000003 GOLD OVER .000050 NICKEL

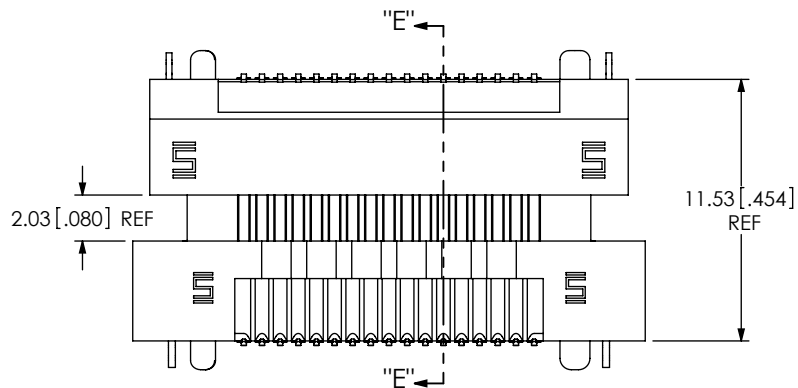
DESCRIPTION: MODIFIED ERF8 ASSEMBLY
 DWG. NO. ASP-137973-01
 BY: David F 01/24/2008 SHEET 1 OF 2



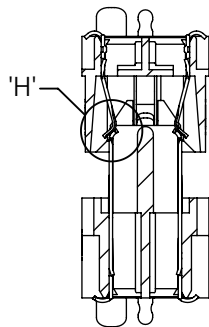
LATCH ENGAGING VIEW



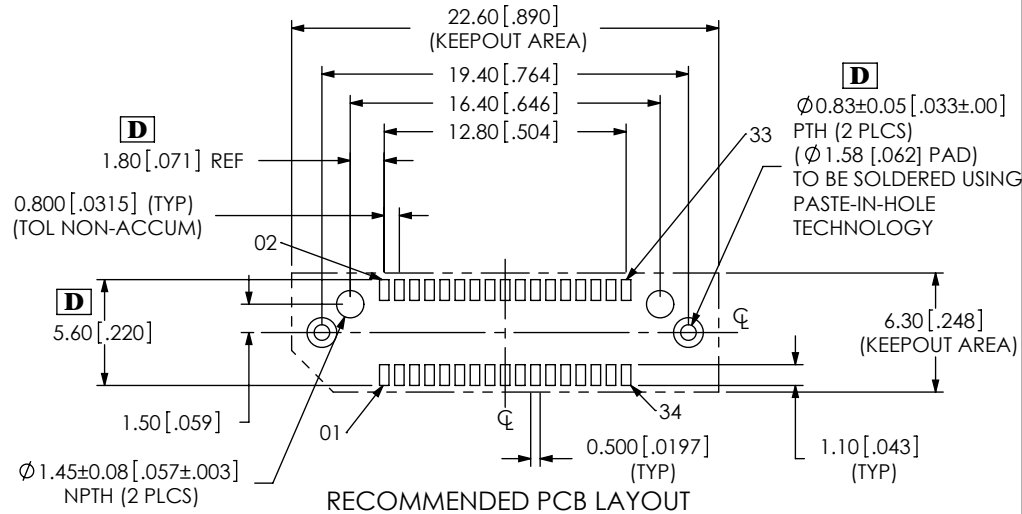
SECTION "F"-"F"



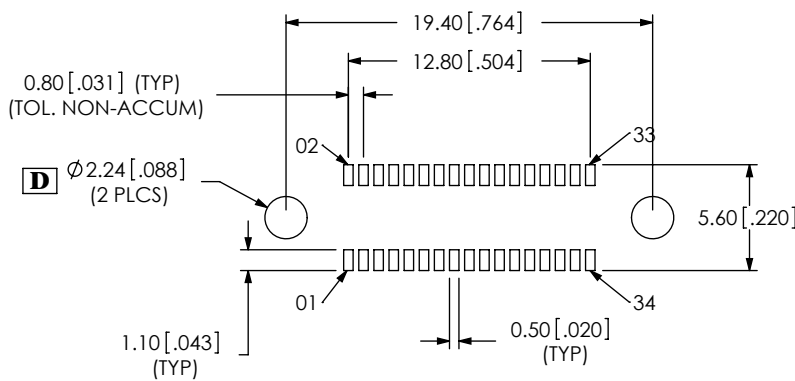
PIN ENGAGING VIEW



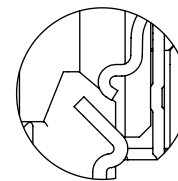
SECTION "E"-"E"



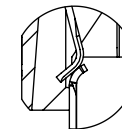
RECOMMENDED PCB LAYOUT



RECOMMENDED STENCIL LAYOUT



DETAIL 'G'
SCALE 6 : 1



DETAIL 'H'
SCALE 6 : 1

PROPRIETARY NOTE

THIS DOCUMENT CONTAINS INFORMATION CONFIDENTIAL AND PROPRIETARY TO SAMTEC, INC. AND SHALL NOT BE REPRODUCED OR TRANSFERRED TO OTHER DOCUMENTS OR DISCLOSED TO OTHERS OR USED FOR ANY PURPOSE OTHER THAN THAT WHICH IT WAS OBTAINED WITHOUT THE EXPRESSED WRITTEN CONSENT OF SAMTEC, INC.



520 PARK EAST BLVD., NEW ALBANY, IN 47150
PHONE: 812-944-6733 FAX: 812-948-5047
e-Mail info@SAMTEC.com code 53322

SHEET SCALE: 3:1

DESCRIPTION: MODIFIED ERF8 ASSEMBLY

DWG. NO. ASP-137973-01

BY: David F 01/24/2008 SHEET 2 OF 2