

PART NAME: KNOB    SCALE: 1:1    DATE: 10/12/83    DR. BY HD

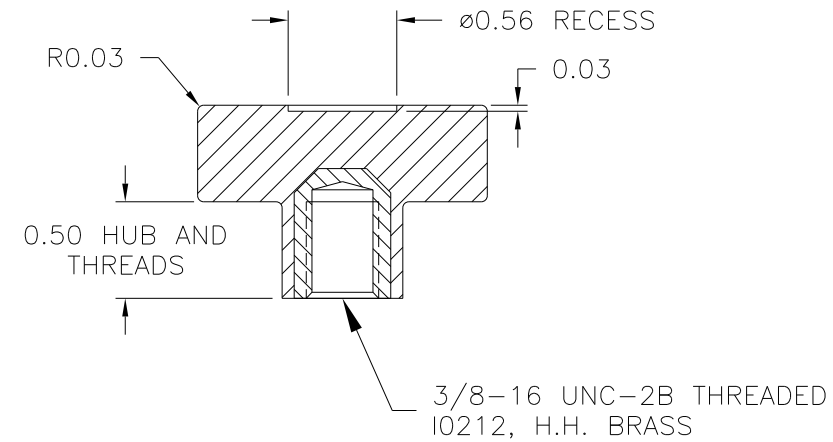
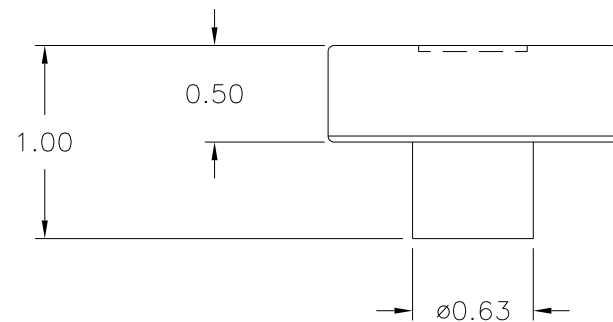
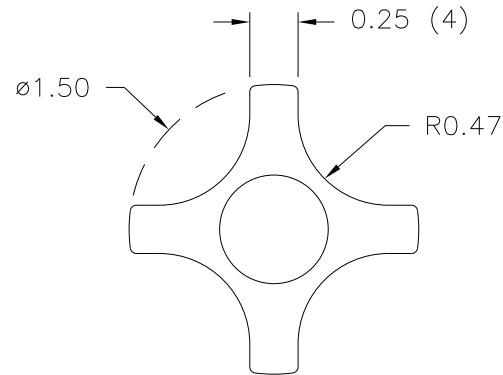
THIS DRAWING IS THE PROPERTY OF DAVIES MOLDING COMPANY, IS SUBMITTED SOLELY AS A DESIGN OR ENGINEERING PROJECT. WE ACCEPT NO RESPONSIBILITY WHATSOEVER FOR THE PRACTICAL APPLICATION OF THE PIECES MADE TO THIS DESIGN.



DESIGNERS & MANUFACTURERS OF KNOBS, HANDLES, CASES & CUSTOM PLASTIC COMPONENTS

P/N 2820-B

M <sup>NO</sup>	3035
CAVITY	2820
PLUNGER	2820
PIN	3008-27
PIN BAR SHIM	0.093
INSERT	I0212
CAVITY KEY	1/4x1/4x3/4
PLUNGER KEY	1/4x1/4x5/8



MATERIAL: #4311 PLENCO PHENOLIC (B41)  
COLOR: BLACK

TOLERANCES: UNLESS OTHERWISE SPECIFIED	DO NOT SCALE DRAWING			
DECIMALS: X.XXX ± .005 X.XX ± .015	MM: X.XX ± 0.15MM X.X ± 0.4MM	-	RE-DID REDRAW	TL 11/19/99
FRACTIONS ± 1/64	ANG. ± 1°	-	CAD REDRAW	HD 4/14/93
CHANGES				