

QUINT4-PS/48DC/24DC/5/PT - DC/DC converters



2910125

<https://www.phoenixcontact.com/us/products/2910125>

Please be informed that the data shown in this PDF document is generated from our online catalog. Please find the complete data in the user documentation. Our general terms of use for downloads are valid.



Primary-switched DC/DC converter, QUINT POWER, DIN rail mounting, SFB Technology (Selective Fuse Breaking), input: 48 V DC, output: 24 V DC / 5 A

Product description

QUINT DC/DC converter with maximum functionality

DC/DC converters alter the voltage level, regenerate the voltage at the end of long cables or enable the creation of independent supply systems by means of electrical isolation.

QUINT DC/DC converters magnetically and therefore quickly trip circuit breakers with six times the nominal current, for selective and therefore cost-effective system protection. The high level of system availability is additionally ensured, thanks to preventive function monitoring, as it reports critical operating states before errors occur.

Your advantages

- Most powerful output side: easy system expansion, reliable heavy load startup and miniature circuit breaker tripping
- Most comprehensive signaling: preventive function monitoring reports critical operating states before errors occur
- Free selection between Push-in and screw connection

Commercial data

| | |
|--------------------------------------|---------------------|
| Item number | 2910125 |
| Packing unit | 1 pc |
| Minimum order quantity | 1 pc |
| Sales key | CM01 |
| Product key | CMDI43 |
| Catalog page | Page 289 (C-4-2019) |
| GTIN | 4055626537436 |
| Weight per piece (including packing) | 806.8 g |
| Weight per piece (excluding packing) | 807 g |
| Customs tariff number | 85044083 |
| Country of origin | TH |

Technical data

Input data

| | |
|--|---|
| Nominal input voltage range | 48 V DC |
| Input voltage range | 48 V DC -40 % ... +20 % |
| Wide-range input | no |
| Electric strength, max. | 60 V DC (60 s) |
| Inrush current | typ. 2.5 A |
| Inrush current integral (I^2t) | < 0.2 A ² s |
| Inrush current limitation | 2.5 A |
| Mains buffering time | typ. 18 ms (48 V DC) |
| Current consumption | 3.3 A (48 V DC) |
| Typical response time | 300 ms (from SLEEP MODE) |
| Switch-on time | < 1 s |
| Input fuse | 10 A (slow-blow, internal) |
| Recommended breaker for input protection | 10 A ... 16 A (Characteristic B, C, D, K or comparable) |

Signal Remote (configurable)

| | |
|---------------------|--|
| Connection labeling | 3.3 + |
| Function | Output power ON/OFF (remote) |
| Default | Output power ON (>40 k Ω /24 V DC/open bridge between REM and SGnd) |

Output data

| | |
|--|--|
| Efficiency | typ. 94 % (48 V DC) |
| Output characteristic | U/I Advanced |
| | Smart HICCUP |
| | FUSE MODE |
| Nominal output voltage | 24 V DC |
| Setting range of the output voltage (U_{Set}) | 24 V DC ... 29.5 V DC (> 24 V DC, constant capacity) |
| Nominal output current (I_N) | 5 A |
| Static Boost ($I_{Stat.Boost}$) | 6.25 A |
| Dynamic Boost ($I_{Dyn.Boost}$) | 10 A (5 s) |
| Selective Fuse Breaking (I_{SFB}) | 30 A (15 ms) |
| Magnetic circuit breaker tripping | A1 ... A4 / B2 / C1 ... C2 / Z1 ... Z4 |
| Short-circuit-proof | yes |
| No-load proof | yes |
| Output power (P_N) | 120 W |
| Output power ($P_{Stat. Boost}$) | 150 W |
| Output power ($P_{Dyn. Boost}$) | 240 W (5 s) |
| Feedback voltage resistance | \leq 35 V DC |
| Protection against overvoltage at the output (OVP) | \leq 32 V DC |
| Residual ripple | < 15 mV _{PP} |
| Control deviation | < 1 % (change in load, static 10 % ... 90 %) |

QUINT4-PS/48DC/24DC/5/PT - DC/DC converters



2910125

<https://www.phoenixcontact.com/us/products/2910125>

| | |
|-----------------------------------|--|
| Control deviation | < 1 % (change in load, static 10 % ... 90 %) |
| Control deviation | < 1 % (change in load, static 10 % ... 90 %) |
| Rise time | < 100 ms (U_{OUT} (10 % ... 90 %)) |
| Connection in series | yes |
| Maximum no-load power dissipation | < 2 W |
| Power loss nominal load max. | < 8 W |
| Power dissipation SLEEP MODE | < 1 W |
| Connection in parallel | yes, for redundancy and increased capacity |

Signal Out 1 (configurable)

| | |
|---------------------|------------------------------------|
| Connection labeling | 3.5 + |
| Digital | 0 V DC |
| | 24 V DC |
| | 20 mA |
| Signal option | Output voltage |
| | Output current |
| | Output power |
| | Operating hours |
| | Early warning of high temperatures |
| | OVP voltage limitation active |
| Default | U_{IN} input voltage OK |

Signal Out 2 (configurable)

| | |
|---------------------|--|
| Connection labeling | 3.6 + |
| Digital | 0 V DC |
| | 24 V DC |
| | 20 mA |
| Default | Output power |
| Signal option | Output voltage |
| | Output current |
| | Operating hours |
| | Early warning of high temperatures |
| | OVP voltage limitation active |
| Analog | 4 mA ... 20 mA ± 5 % (Load $\leq 400 \Omega$) |
| Signal option | Output voltage |
| | Output current |
| | Output power |

Signal relay 13/14 (configurable)

| | |
|---------------------------|----------|
| Connection labeling | 3.1, 3.2 |
| Switch contact (floating) | floating |
| Maximum contact load | 24 V DC |
| | 1 A |
| | 30 V AC |
| | 0.5 A |

QUINT4-PS/48DC/24DC/5/PT - DC/DC converters



2910125

<https://www.phoenixcontact.com/us/products/2910125>

| | |
|---------------|------------------------------------|
| Default | Output voltage |
| Signal option | Output current |
| | Output power |
| | Operating hours |
| | Early warning of high temperatures |
| | OVP voltage limitation active |
| | U _{IN} input voltage OK |

Signal ground SGnd

| | |
|---------------------|--------------------|
| Connection labeling | 3.4 + |
| Function | Signal ground |
| Reference potential | to OUT1, OUT2, REM |

Connection data

Input

| | |
|----------|-----|
| Position | 1.x |
|----------|-----|

Conductor connection

| | |
|--|---|
| Connection method | Push-in connection |
| rigid | 0.2 mm ² ... 6 mm ² |
| flexible | 0.2 mm ² ... 6 mm ² |
| flexible with ferrule without plastic sleeve | 0.2 mm ² ... 4 mm ² |
| flexible with ferrule with plastic sleeve | 0.2 mm ² ... 4 mm ² |
| rigid (AWG) | 24 ... 10 |
| Stripping length | 10 mm |

Output

| | |
|----------|-----|
| Position | 2.x |
|----------|-----|

Conductor connection

| | |
|--|---|
| Connection method | Push-in connection |
| rigid | 0.2 mm ² ... 6 mm ² |
| flexible | 0.2 mm ² ... 6 mm ² |
| flexible with ferrule without plastic sleeve | 0.2 mm ² ... 4 mm ² |
| flexible with ferrule with plastic sleeve | 0.2 mm ² ... 4 mm ² |
| rigid (AWG) | 24 ... 10 |
| Stripping length | 10 mm |

Signal

| | |
|----------|-----|
| Position | 3.x |
|----------|-----|

Conductor connection

| | |
|--|---|
| Connection method | Push-in connection |
| rigid | 0.2 mm ² ... 1 mm ² |
| flexible | 0.2 mm ² ... 1.5 mm ² |
| flexible with ferrule without plastic sleeve | 0.2 mm ² ... 1.5 mm ² |

| | |
|---|--|
| flexible with ferrule with plastic sleeve | 0.2 mm ² ... 0.75 mm ² |
| rigid (AWG) | 24 ... 16 |
| Stripping length | 8 mm |

Signaling

LED signaling

| | |
|--------------------|--|
| Types of signaling | LED |
| | Floating signal contact |
| | Active signal output Out1 (digital, configurable) |
| | Active signal output Out2 (analog, configurable) |
| | Remote contact |
| | Signal ground SGnd |
| Signal threshold | > 100 % (LED lights up yellow, output power > 240 W) |
| | > 75 % (LED lights up green, output power > 180 W) |
| | > 50 % (LED lights up green, output power > 120 W) |
| | > 0.9 x U _{Set} (LED lights up green) |
| | < 0.9 x U _{Set} (LED flashes green) |
| | > 0.8 x U _{InNom} (LED off) |
| | < 0.8 x U _{InNom} (LED lights up yellow) |

Electrical properties

| | |
|---------------------------------|---|
| Number of phases | 1.00 |
| Insulation voltage input/output | 4 kV DC (type test) |
| | 2 kV DC (routine test) |
| Switching frequency | 190 kHz ... 220 kHz (Auxiliary converter stage) |
| | 50 kHz ... 420 kHz (Main converter stage) |

Product properties

| | |
|----------------------------|---------------------|
| Product type | DC/DC converters |
| Product family | QUINT POWER |
| MTBF (IEC 61709, SN 29500) | > (25 °C) |
| | > 1000000 h (40 °C) |
| | > (60 °C) |

Insulation characteristics

| | |
|---------------------|------------------------------------|
| Protection class | Special with SELV input and output |
| Degree of pollution | 2 |

Life expectancy (electrolytic capacitors)

| | |
|-----------------|----------|
| Current | 2.5 A |
| Temperature | 40 °C |
| Time | 520000 h |
| Additional text | 24 V DC |

Life expectancy (electrolytic capacitors)

2910125

<https://www.phoenixcontact.com/us/products/2910125>

| | |
|-----------------|----------|
| Current | 5 A |
| Temperature | 40 °C |
| Time | 290000 h |
| Additional text | 24 V DC |

Life expectancy (electrolytic capacitors)

| | |
|-----------------|----------|
| Current | 5 A |
| Temperature | 30 °C |
| Time | 590000 h |
| Additional text | 24 V DC |

Dimensions

Item dimensions

| | |
|--------|--------|
| Width | 36 mm |
| Height | 130 mm |
| Depth | 125 mm |

Item dimensions with alternative mounting

| | |
|--------|--------|
| Width | 122 mm |
| Height | 130 mm |
| Depth | 39 mm |

Installation dimensions

| | |
|--|---------------|
| Installation distance right/left (active) | 15 mm / 15 mm |
| Installation distance right/left (passive) | 0 mm / 0 mm |
| Installation distance top/bottom (active) | 50 mm / 50 mm |
| Installation distance top/bottom (passive) | 50 mm / 50 mm |

Mounting

| | |
|-------------------------|---|
| Mounting type | DIN rail mounting |
| Assembly instructions | alignable: $P_N \geq 50\%$, 5 mm horizontally, 15 mm next to active components, 50 mm vertically alignable: $P_N < 50\%$, 0 mm horizontally, 40 mm vertically top, 20 mm vertically bottom |
| With protective coating | No |

Material specifications

| | |
|--|------------------------|
| Flammability rating according to UL 94 (housing / terminal blocks) | V0 |
| Housing material | Metal |
| Hood version | Stainless steel X6Cr17 |
| Side element version | Aluminum |

Environmental and real-life conditions

Ambient conditions

| | |
|----------------------|------|
| Degree of protection | IP20 |
|----------------------|------|

| | |
|--|---|
| Ambient temperature (operation) | -25 °C ... 70 °C (> 60 °C Derating: 2,5 %/K) |
| Ambient temperature (storage/transport) | -40 °C ... 85 °C |
| Ambient temperature (start-up type tested) | -40 °C |
| Maximum altitude | ≤ 5000 m (> 2000 m, observe derating) |
| Climatic class | 3K22 (in accordance with EN 60721-3-3) |
| Max. permissible relative humidity (operation) | ≤ 95 % (at 25 °C, non-condensing) |
| Shock | 18 ms, 30g, in each space direction (according to IEC 60068-2-27) |
| Vibration (operation) | 5 Hz ... 100 Hz resonance search 2.3g, 90 min., resonance frequency 2.3g, 90 min. (according to DNV GL Class C) |

Standards and regulations

Overvoltage category

| | |
|------------|----------------|
| EN 61010-1 | II (≤ 5000 m) |
| EN 62477-1 | III (≤ 2000 m) |

Safety for measurement, control, and laboratory equipment

| | |
|--------------------------|---|
| Standard designation | Electrical safety (of control and regulation devices) |
| Standards/specifications | IEC 61010-1 |

Protective extra-low voltage

| | |
|--------------------------|------------------------------|
| Standard designation | Protective extra-low voltage |
| Standards/specifications | EN 61010-1 (SELV) |
| | IEC 61010-2-201 (PELV) |

Mains voltage dips

| | |
|--------------------------|------------------------------|
| Standard designation | Mains variation/undervoltage |
| Standards/specifications | EN 61000-4-29 |

Railway applications

| | |
|--------------------------|----------------------|
| Standard designation | Railway applications |
| Standards/specifications | EN 50121-3-2 |
| | IEC 62236-3-2 |

Approvals

UL

| | |
|----------------|----------------------|
| Identification | UL Listed UL 61010-1 |
|----------------|----------------------|

UL

| | |
|----------------|--------------------------|
| Identification | UL Listed UL 61010-2-201 |
|----------------|--------------------------|

UL

| | |
|----------------|---|
| Identification | UL 121201 & CSA C22.2 No. 213-17 Class I, Division 2, Groups A, B, C, D T4 (Hazardous Location) |
|----------------|---|

CSA

| | |
|----------------|------------------------------|
| Identification | CAN/CSA-C22.2 No. 61010-1-12 |
|----------------|------------------------------|

QUINT4-PS/48DC/24DC/5/PT - DC/DC converters



2910125

<https://www.phoenixcontact.com/us/products/2910125>

CSA

| | |
|----------------|----------------------------------|
| Identification | CAN/CSA C22.2 No. 61010-2-201:18 |
|----------------|----------------------------------|

SIQ

| | |
|----------------|-----------------------------|
| Identification | Type tested (type approved) |
|----------------|-----------------------------|

SIQ

| | |
|----------------|--|
| Identification | CB scheme (IEC 61010-1, IEC 61010-2-201) |
|----------------|--|

Shipbuilding

| | |
|----------------|-----|
| Identification | DNV |
|----------------|-----|

Shipbuilding

| | |
|----------------|-----|
| Identification | ABS |
|----------------|-----|

Shipbuilding

| | |
|----------------|----|
| Identification | BV |
|----------------|----|

Shipbuilding

| | |
|----------------|----|
| Identification | NK |
|----------------|----|

Shipbuilding

| | |
|----------------|----|
| Identification | LR |
|----------------|----|

EMC data

| | |
|-------------------------------------|--|
| Low Voltage Directive | Conformance with Low Voltage Directive 2014/35/EC |
| EMC requirements for noise emission | EN 61000-6-3 |
| | EN 61000-6-4 |
| EMC requirements for noise immunity | EN 61000-6-1 |
| | EN 61000-6-2 |
| Electromagnetic compatibility | Conformance with EMC Directive 2014/30/EU |
| EMC requirements, power plant | IEC 61850-3 |
| | EN 61000-6-5 |
| Conducted noise emission | EN 55016 |
| | EN 61000-6-3 (Class B) |
| Noise emission | Additional basic standard EN 61000-6-5 (immunity in power station), IEC/EN 61850-3 (energy supply) |
| Noise emission | EN 55016 |
| | EN 61000-6-3 (Class B) |
| DNV GL conducted interference | Class B |
| Additional text | Bridge and deck area |
| DNV GL noise radiation | Class B |
| Additional text | Bridge and deck area |

Electrostatic discharge

| | |
|-----------------------|--------------|
| Standards/regulations | EN 61000-4-2 |
|-----------------------|--------------|

Electrostatic discharge

QUINT4-PS/48DC/24DC/5/PT - DC/DC converters



2910125

<https://www.phoenixcontact.com/us/products/2910125>

| | |
|-------------------|----------------------|
| Contact discharge | 8 kV (Test Level 4) |
| Discharge in air | 15 kV (Test Level 4) |
| Comments | Criterion A |

Electromagnetic HF field

| | |
|-----------------------|--------------|
| Standards/regulations | EN 61000-4-3 |
|-----------------------|--------------|

Electromagnetic HF field

| | |
|---------------------|-----------------------|
| Frequency range | 80 MHz ... 1 GHz |
| Test field strength | 20 V/m (Test Level 3) |
| Frequency range | 1 GHz ... 6 GHz |
| Test field strength | 10 V/m (Test Level 3) |
| Comments | Criterion A |

Fast transients (burst)

| | |
|-----------------------|--------------|
| Standards/regulations | EN 61000-4-4 |
|-----------------------|--------------|

Fast transients (burst)

| | |
|----------|------------------------------------|
| Input | 2 kV (Test Level 3 - asymmetrical) |
| Output | 2 kV (Test Level 3 - asymmetrical) |
| Signal | 2 kV (Test Level 4 - asymmetrical) |
| Comments | Criterion A |

Surge voltage load (surge)

| | |
|-----------------------|------------------------------------|
| Standards/regulations | EN 61000-4-5 |
| Input | 1 kV (Test Level 3 - symmetrical) |
| | 2 kV (Test Level 3 - asymmetrical) |
| Output | 1 kV (Test Level 3 - symmetrical) |
| | 2 kV (Test Level 3 - asymmetrical) |
| Signal | 2 kV (Test Level 3 - asymmetrical) |
| Comments | Criterion A |

Conducted interference

| | |
|-----------------------|--------------|
| Standards/regulations | EN 61000-4-6 |
|-----------------------|--------------|

Conducted interference

| | |
|-----------------|---------------------|
| I/O/S | asymmetrical |
| Frequency range | 0.15 MHz ... 80 MHz |
| Comments | Criterion A |
| Voltage | 10 V (Test Level 3) |

Power frequency magnetic field

| | |
|-----------------------|--------------|
| Standards/regulations | EN 61000-4-8 |
| Frequency | 16.7 Hz |
| | 50 Hz |
| | 60 Hz |
| Test field strength | 100 A/m |
| Additional text | 60 s |

QUINT4-PS/48DC/24DC/5/PT - DC/DC converters



2910125

<https://www.phoenixcontact.com/us/products/2910125>

| | |
|---------------------|-----------------|
| Comments | Criterion A |
| Frequency | 50 Hz |
| | 60 Hz |
| Frequency range | 50 Hz ... 60 Hz |
| Test field strength | 1 kA/m |
| Additional text | 3 s |
| Comments | Criterion A |
| Frequency | 0 Hz |
| Test field strength | 300 A/m |
| Additional text | DC, 60 s |
| Comments | Criterion A |

Voltage dips

| | |
|-----------------------|---------------|
| Standards/regulations | EN 61000-4-29 |
| Voltage | 24 V DC |
| Voltage dip | 70 % |
| Time | 100 ms |
| Additional text | Test Level 2 |
| Comments | Criterion A |
| Voltage dip | 40 % |
| Time | 100 ms |
| Additional text | Test Level 2 |
| Comments | Criterion A |
| Voltage dip | 0 % |
| Time | 50 ms |
| Additional text | Test Level 2 |
| Comments | Criterion B |

Pulse-shape magnetic field

| | |
|-----------------------|--------------|
| Standards/regulations | EN 61000-4-9 |
| Test field strength | 1000 A/m |
| Comments | Criterion A |

Asymmetrical conducted disturbance variables

| | |
|-----------------------|--|
| Standards/regulations | EN 61000-4-16 |
| Test level 1 | 15 Hz 150 Hz (Test Level 3) |
| Voltage | 10 V 1 V |
| Test level 2 | 150 Hz 1.5 kHz (Test Level 3) |
| Voltage | 1 V |
| Test level 3 | 1.5 kHz 15 kHz (Test Level 3) |
| Voltage | 1 V 10 V |
| Test level 4 | 15 kHz 150 kHz (Test Level 3) |
| Voltage | 10 V |
| Test level 5 | 16.7 Hz 50 Hz 60 Hz 150 Hz 180 Hz (Test Level 3) |
| Voltage | 10 V (Permanent) |

| | |
|--------------|---|
| Test level 6 | 0 Hz 16.7 Hz 50 Hz 60 Hz (Test Level 3) |
| Voltage | 100 V (1 s) |
| Comments | Criterion A |

Alternating component of direct voltage

| | |
|-----------------------|----------------|
| Standards/regulations | EN 61000-4-17 |
| Alternating component | 15 % (U_N) |
| Frequency | 50 Hz |
| | 100 Hz |
| | 150 Hz |
| Comments | Criterion A |
| Alternating component | 14 % (U_N) |
| Frequency | 300 Hz |
| Comments | Criterion A |

Attenuated oscillating wave

| | |
|------------------------------|---|
| Standards/regulations | EN 61000-4-18 |
| Input, output (test level 1) | 100 kHz 1 MHz (Test Level 3 - symmetrical) |
| Voltage | 1 kV |
| Input, output (test level 2) | 100 kHz 1 MHz (Test Level 2 - asymmetrical) |
| Voltage | 1 kV |
| Input, output (test level 3) | 10 MHz (Test Level 2 - asymmetrical) |
| Voltage | 0.5 kV |
| Signals (test level 1) | 100 kHz 1 MHz (Test Level 2 - symmetrical) |
| Voltage | 0.5 kV |
| Signals (test level 2) | 100 kHz 1 MHz (Test Level 2 - asymmetrical) |
| Voltage | 1 kV |
| Comments | Criterion A |

Attenuated oscillating magnetic field

| | |
|-----------------------|---------------|
| Standards/regulations | EN 61000-4-10 |
| Test field strength | 100 A/m |
| Test level 1 | 100 kHz |
| Test field strength | 100 A/m |
| Test level 2 | 1 MHz |
| Comments | Criterion A |

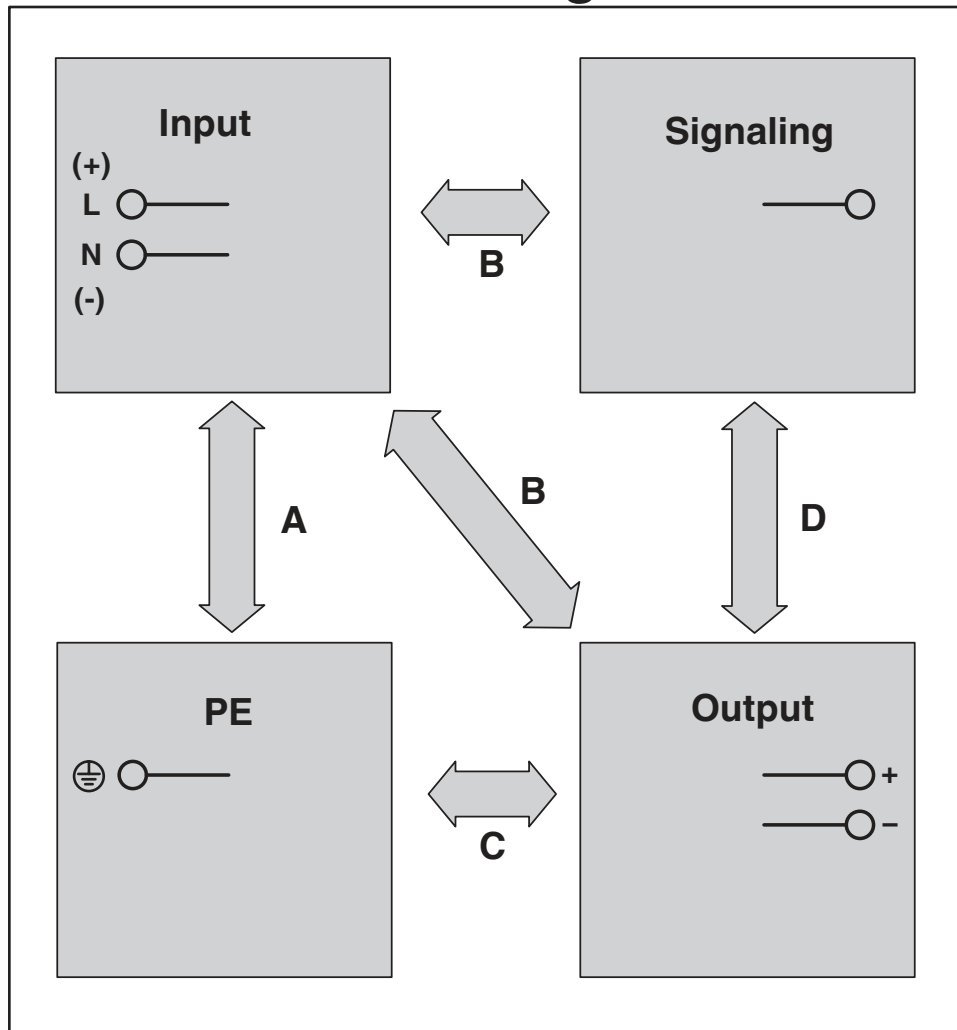
Criteria

| | |
|-------------|--|
| Criterion A | Normal operating behavior within the specified limits. |
| Criterion B | Temporary impairment to operational behavior that is corrected by the device itself. |
| Criterion C | Temporary adverse effects on the operating behavior, which the device corrects automatically or which can be restored by actuating the operating elements. |

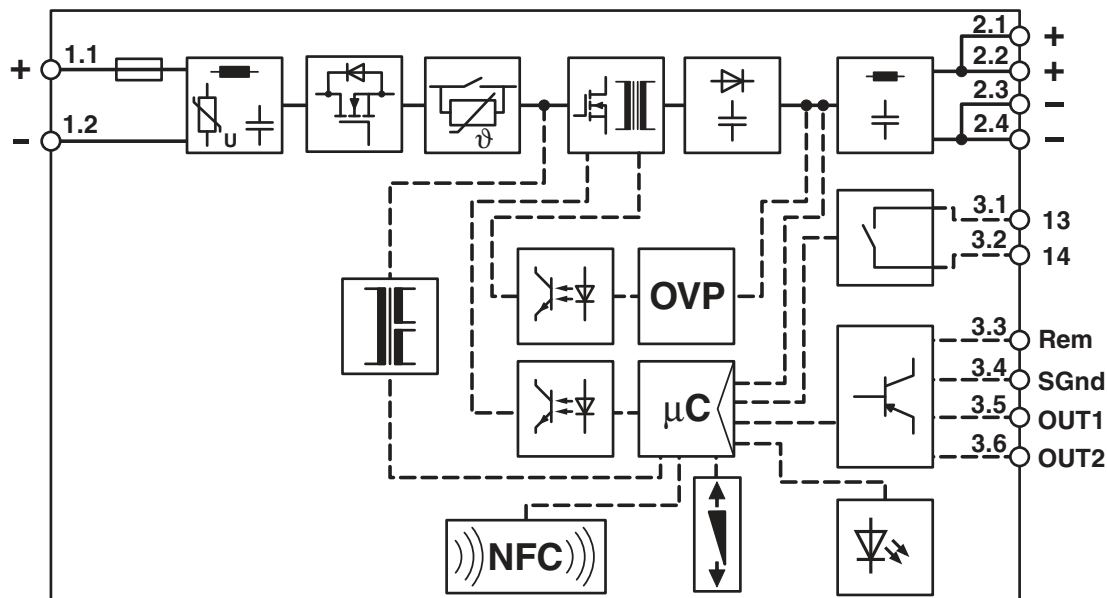
Drawings

Schematic diagram

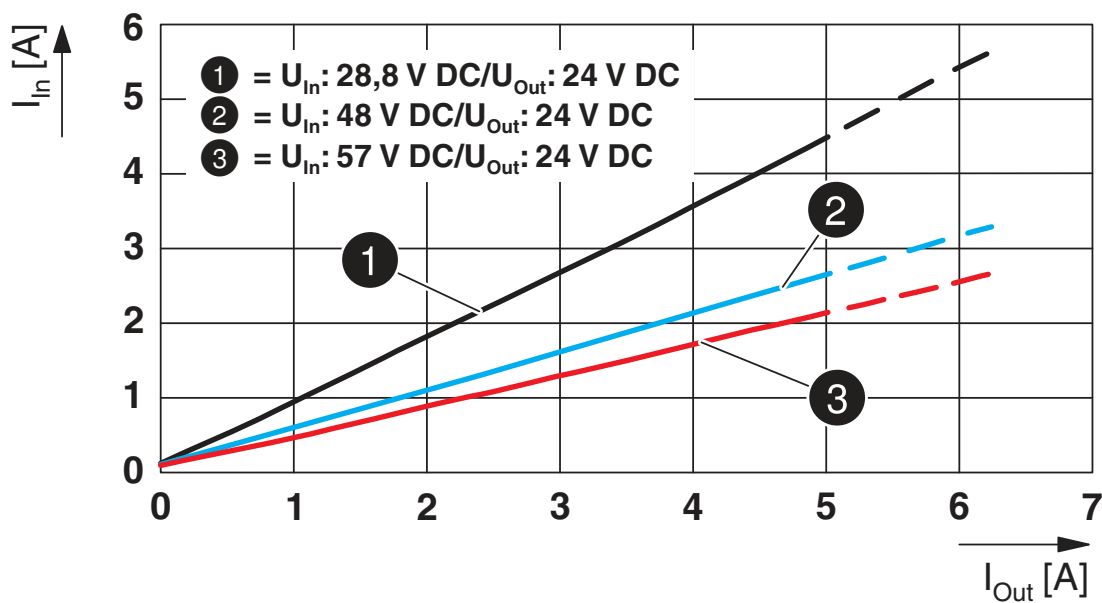
Housing



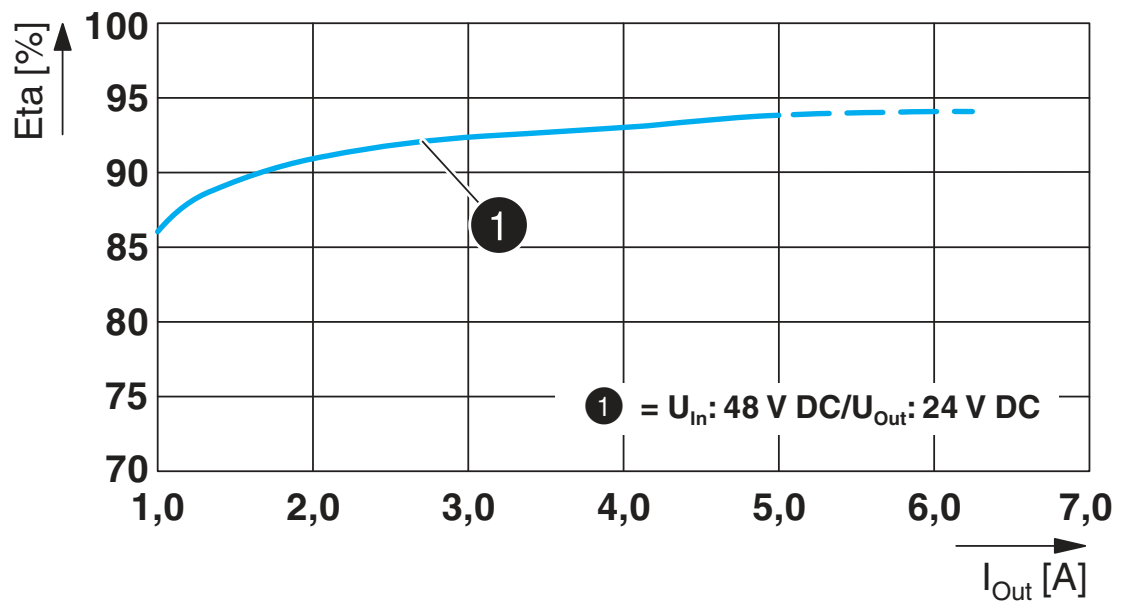
Block diagram



Diagram



Diagram



QUINT4-PS/48DC/24DC/5/PT - DC/DC converters



2910125

<https://www.phoenixcontact.com/us/products/2910125>

Approvals

To download certificates, visit the product detail page: <https://www.phoenixcontact.com/us/products/2910125>



cUL Listed

Approval ID: FILE E 123528



UL Listed

Approval ID: FILE E 123528

ABS

Approval ID: 21-2073195-PDA

ClassNK

NK

Approval ID: TA21182M



LR

Approval ID: LR22472797TA



Type approved

Approval ID: SI-SIQ BG 005/059



LR

Approval ID: LR22472797TA

ClassNK

NK

Approval ID: TA21182M



BV

Approval ID: 57060/A1 BV



UL Listed

Approval ID: FILE E 123528



cUL Listed

Approval ID: FILE E 123528

QUINT4-PS/48DC/24DC/5/PT - DC/DC converters



2910125

<https://www.phoenixcontact.com/us/products/2910125>

ABS

Approval ID: 21-2073195-PDA



BV

Approval ID: 57060/A1 BV



Type approved

Approval ID: SI-SIQ BG 005/059

DNV

Approval ID: TAA00000BV

DNV

Approval ID: TAA00000BV

DNV

Approval ID: TAA00000BV

DNV

Approval ID: TAA00000BV

QUINT4-PS/48DC/24DC/5/PT - DC/DC converters



2910125

<https://www.phoenixcontact.com/us/products/2910125>

Classifications

ECLASS

| | |
|-------------|----------|
| ECLASS-11.0 | 27040701 |
| ECLASS-12.0 | 27040701 |
| ECLASS-13.0 | 27040701 |

ETIM

| | |
|----------|----------|
| ETIM 8.0 | EC002540 |
|----------|----------|

UNSPSC

| | |
|-------------|----------|
| UNSPSC 21.0 | 39121000 |
|-------------|----------|

QUINT4-PS/48DC/24DC/5/PT - DC/DC converters



2910125

<https://www.phoenixcontact.com/us/products/2910125>

Environmental product compliance

| | |
|------------|--|
| REACH SVHC | Lead 7439-92-1 |
| China RoHS | Environmentally Friendly Use Period = 25; |
| | For information on hazardous substances, refer to the manufacturer's declaration available under "Downloads" |

2910125

<https://www.phoenixcontact.com/us/products/2910125>

Accessories

UWA 182/52 - Mounting adapter

2938235

<https://www.phoenixcontact.com/us/products/2938235>



Universal wall adapter for securely mounting the device in the event of strong vibrations. The device is screwed directly onto the mounting surface. The universal wall adapter is attached on the top/bottom.

UWA 130 - Mounting adapter

2901664

<https://www.phoenixcontact.com/us/products/2901664>



2-piece universal wall adapter for securely mounting the device in the event of strong vibrations. The profiles that are screwed onto the side of the device are screwed directly onto the mounting surface. The universal wall adapter is attached on the left/right.

QUINT4-PS/48DC/24DC/5/PT - DC/DC converters



2910125

<https://www.phoenixcontact.com/us/products/2910125>

TWN4 MIFARE NFC USB ADAPTER - Programming adapter

2909681

<https://www.phoenixcontact.com/us/products/2909681>



Near Field Communication (NFC) programming adapter with USB interface for the wireless configuration of NFC-capable products from Phoenix Contact with software. A separate USB driver is not required.

CBMC E4 24DC/1-4A NO - Electronic circuit breaker

2906031

<https://www.phoenixcontact.com/us/products/2906031>



Multi-channel electronic circuit breaker for protecting four loads at 24 V DC in the event of overload and short circuit. With electronic locking of the set nominal currents. For installation on DIN rails.

QUINT4-PS/48DC/24DC/5/PT - DC/DC converters



2910125

<https://www.phoenixcontact.com/us/products/2910125>

CBMC E4 24DC/1-10A NO - Electronic circuit breaker

2906032

<https://www.phoenixcontact.com/us/products/2906032>



Multi-channel electronic circuit breaker for protecting four loads at 24 V DC in the event of overload and short circuit. With electronic locking of the set nominal currents. For installation on DIN rails.

CBMC E4 24DC/1-4A+ IOL - Electronic circuit breaker

2910410

<https://www.phoenixcontact.com/us/products/2910410>



Multi-channel electronic circuit breaker with IO-Link interface for protecting four loads at 24 V DC in the event of overload and short circuit. With electronic locking of the set nominal currents. For installation on DIN rails.

2910125

<https://www.phoenixcontact.com/us/products/2910125>

CBMC E4 24DC/1-10A IOL - Electronic circuit breaker

2910411

<https://www.phoenixcontact.com/us/products/2910411>



Multi-channel electronic circuit breaker with IO-Link interface for protecting four loads at 24 V DC in the event of overload and short circuit. With electronic locking of the set nominal currents. For installation on DIN rails.

CBM E4 24DC/0.5-10A NO-R - Electronic circuit breaker

2905743

<https://www.phoenixcontact.com/us/products/2905743>



Multi-channel, electronic circuit breaker with active current limitation for protecting four loads at 24 V DC in the event of overload and short circuit. With nominal current assistant and electronic locking of the set nominal currents. For installation on DIN rails.

QUINT4-PS/48DC/24DC/5/PT - DC/DC converters



2910125

<https://www.phoenixcontact.com/us/products/2910125>

CBM E8 24DC/0.5-10A NO-R - Electronic circuit breaker

2905744

<https://www.phoenixcontact.com/us/products/2905744>



Multi-channel, electronic circuit breaker with active current limitation for protecting eight loads at 24 V DC in the event of overload and short circuit. With nominal current assistant and electronic locking of the set nominal currents. For installation on DIN rails.

Phoenix Contact 2023 © - all rights reserved

<https://www.phoenixcontact.com>

Phoenix Contact USA
586 Fulling Mill Road
Middletown, PA 17057, United States
(+717) 944-1300
info@phoenixcon.com