

**Data Sheet**

**AI-3239-TF-LW140-R**

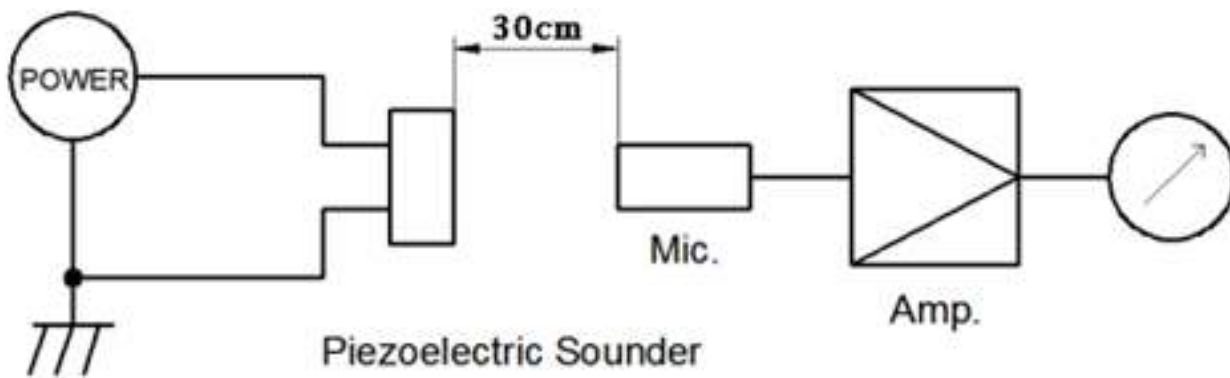
**Features:**

- Continuous tone
- 95 dB output with 24 VDC input
- Weighs only 8 grams

**Indicator Specifications**

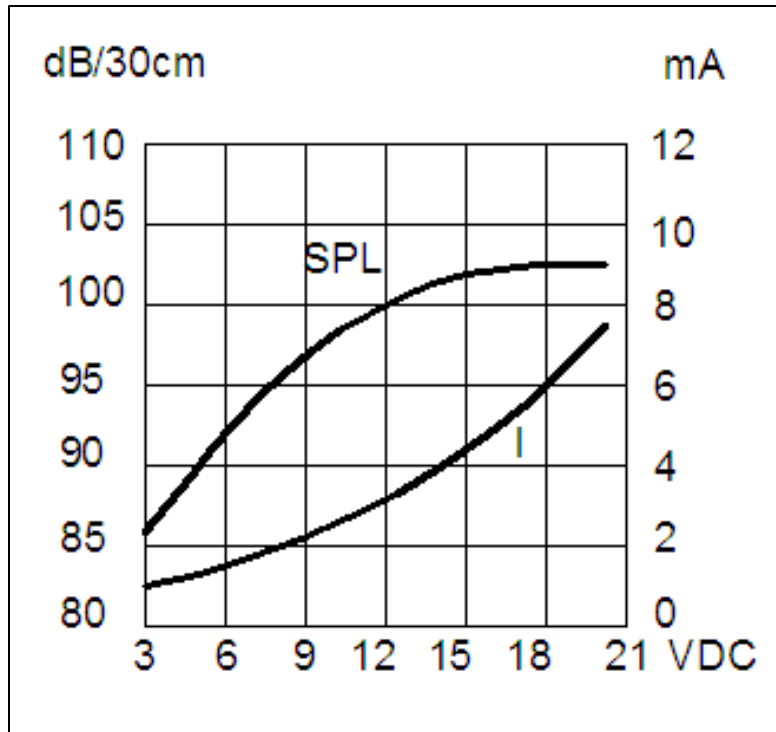
Parameters	Values	Units
Rated Voltage	24	VDC
Operating Voltage Range	5 ~ 26	VDC
Current Draw at Rated Voltage	≤30	mA
Minimum SPL @ 30cm	≥95	dBA
Resonant Frequency	3900±500	Hz
Tone or Pulse Rate	Continuous	-
Housing Material	White ABS	-
Weight	8	Grams
Acceptable Soldering Methods	Hand Solder	-
Environmental Compliances	RoHS	-
Storage Temperature	-30 ~ +75	°C
Operating Temperature	-20 ~ +65	°C

**Measurement Method** (24 VDC input with a SPL meter at 10cm)



Piezoelectric Sounder  
 MIC: ND10 Sound Meter or equivalent  
 DC Power Supply: QJ6003S or equivalent

## Typical SPL and Current Draw vs Input Voltage

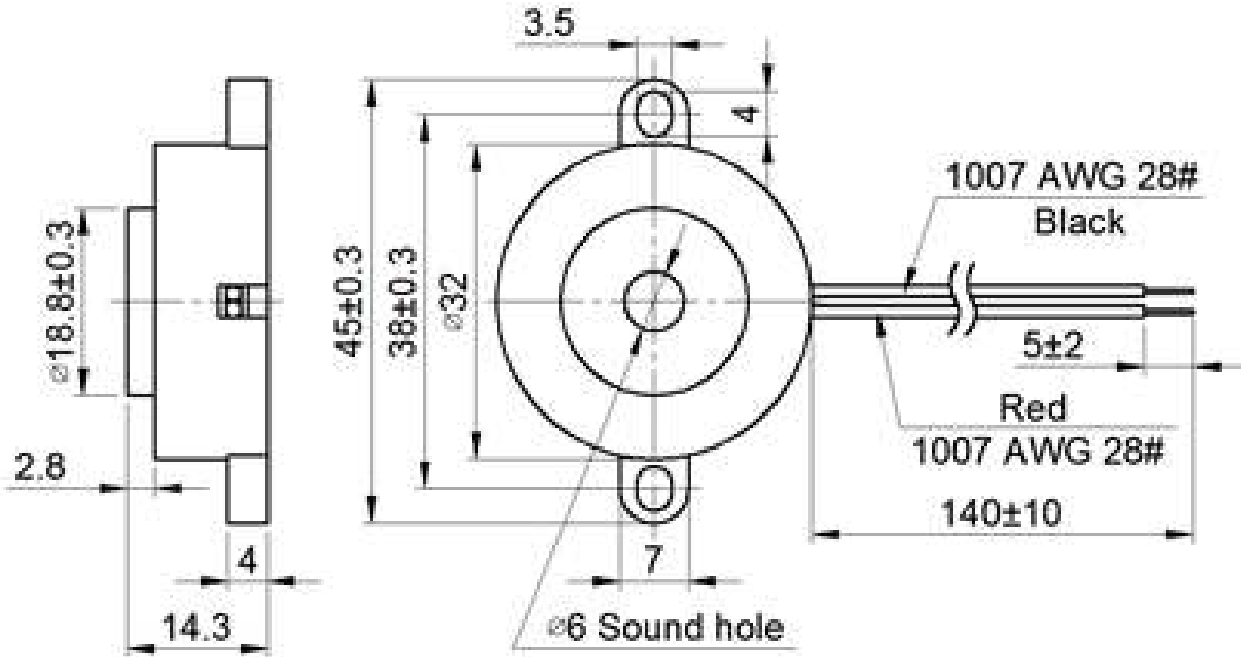


## Reliability Testing

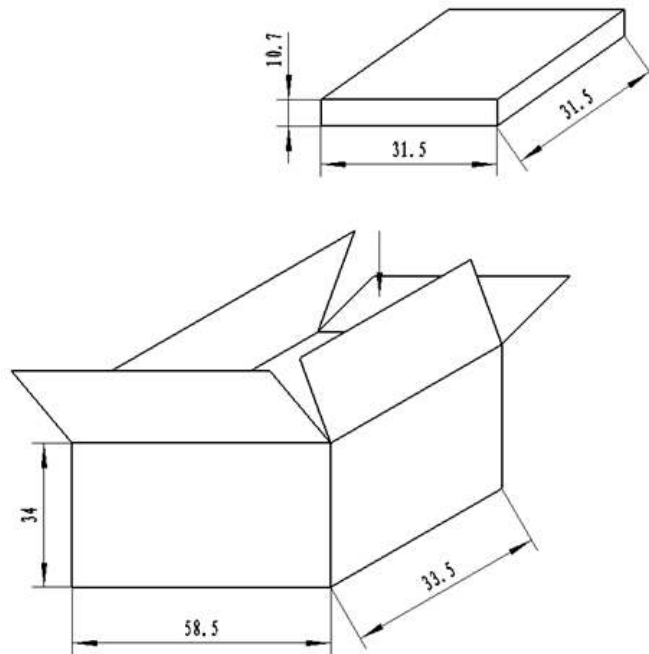
Type of Test	Test Specifications
High Temperature Test	+80±2°C, 96Hrs
Low Temperature Test	-30±2°C, 96Hrs
Humidity Test	40±2°C, 93(+2/-3) %RH for 96Hrs
Temperature Cycle Testing	-30±2°C, 30minutes +20±2°C, 15 minutes +80±2°C, 30 minutes +20±2°C, 15 minutes Total of 5 cycles
Vibration Test	10 to 55 Hz band of vibration frequency to each of 3 perpendicular directions for 2 hrs.
Drop Test	The part shall be dropped from a height of 70cm onto a 10mm thick wooden board; 3 times per the 3 axial directions (x, y & z) a total of 9 times.

After being placed for 2 to 4hrs at room temp, the product shall meet specifications, except SPL which should be within ±10 dB compared with the initial value.

**Dimensions** (Units: mm Tolerance:  $\pm 0.5\text{mm}$ )



**Packaging**



NOTES:

1. 200 PCS per plate
2. Total 5 plate per box
3. Total 1000 PCS carton
4. Volume: 58.5\*33.5\*34cm

**Specifications Revisions**

<b>Revision</b>	<b>Description</b>	<b>Date</b>
-	Released from Engineering	4/6/20

Note:

1. Unless otherwise specified:
  - A. All dimensions are in millimeters.
  - B. Default tolerances are  $\pm 0.5\text{mm}$  and angles are  $\pm 3^\circ$ .
2. Specifications subject to change or withdrawal without notice.