

ISL80510EVAL1Z

Evaluation Board

UG044
Rev 0.00
September 3, 2015

Description

The ISL80510EVAL1Z provides a simple platform to evaluate performances of the [ISL80510](#) and ISL80505. It comes with jumpers to provide an easy way to set popular output voltages.

The ISL80510 is a high performance, low voltage, high current, low dropout linear regulator specified at 1A. Rated for input voltages from 2.2V to 6V, the LDO can provide output voltages from 0.8V to 5.5V.

Specifications

This board has been configured and optimized for the following operating conditions:

- V_{IN} = 2.2 to 6V (ISL80510), 1.8V to 6V (ISL80505)
- V_{OUT} = 1V, 1.2V, 1.8V, 2.5V, 3.3V, or 5V (Jumper selectable)
- I_{MAX} = 1A (ISL80510), 500mA (ISL80505)

Key Features

- Small, compact design
- V_{IN} range of 2.2V to 6V (ISL80510), 1.8V to 6V (ISL80505)
- V_{OUT} adjustable from 0.8V to 5.5V
- Convenient power connection

References

[ISL80510](#) datasheet

[ISL80505](#) datasheet

Ordering Information

PART NUMBER	DESCRIPTION
ISL80510EVAL1Z	ISL80510 evaluation board

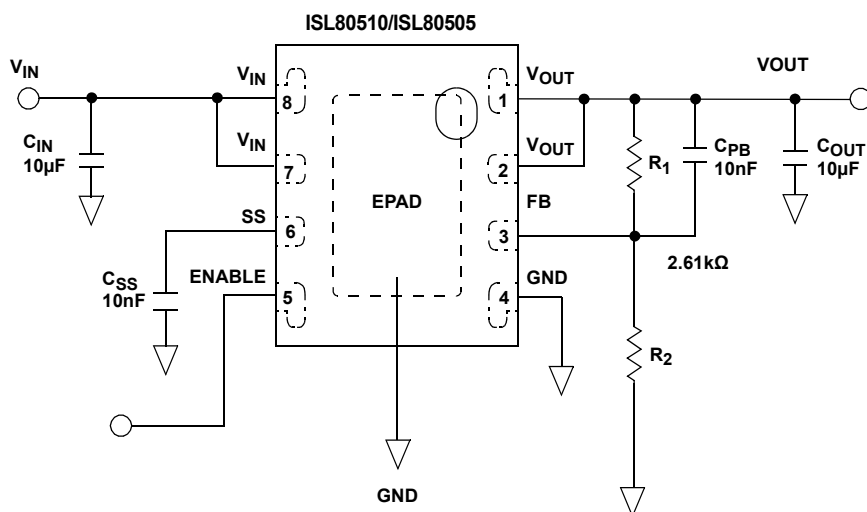


FIGURE 1. ISL80510EVAL1Z BLOCK DIAGRAM

NOTE: The ISL80505 is another high performance, low dropout linear regulator specified at 500mA in the same family as ISL80510. The ISL80505 is rated for input voltage from 1.8V to 6V and can provide output voltages from 0.8V to 5.5V. The ISL80505 is pin-to-pin compatible with ISL80510 and can simply replace ISL80510 on ISL80510EVAL1Z for evaluation. (For ISL80505 samples, please contact Intersil.)

Functional Description

The ISL80510EVAL1Z evaluation board provides a simple platform to demonstrate the features of the ISL80510 and ISL80505. The ISL80510EVAL1Z has a functionally optimized ISL80510/ISL80505 circuit layout that allows efficient operation up to the maximum output current.

The ISL80510EVAL1Z evaluation board is shown in [Figures 2 and 3](#). The [“ISL80510EVAL1Z Circuit Schematic” on page 4](#) shows the schematic, bill of materials and PCB layers for reference. [Figure 7](#) through [16](#) show performance data taken using this hardware.

Operating Range

The board V_{IN} range is 2.2V to 6V (ISL80510) or 1.8V to 6V (ISL80505). The board V_{OUT} setting is set to 1.8V out of the box. The output voltage can be set by an external resistor divider network. The values of resistors R_1 and R_2 can be calculated by using [Equation 1](#).

$$R_1 = R_2 \times \left(\frac{V_{OUT}}{0.5} - 1 \right) \quad (\text{EQ. 1})$$

The output voltage can be easily changed to different voltage setting by jumpers from J1 through J6. [Table 1](#) lists the output voltage options included in the ISL80510EVAL along with the corresponding jumper.

TABLE 1.

V_{OUT} (V)	R_1 (k Ω)	R_2 (k Ω)	JUMPER
1.0	2.61	2.61	J1
1.2	2.61	1.87	J2
1.8	2.61	1.00	J3
2.5	2.61	0.649	J4
3.3	2.61	0.464	J5
5.0	2.61	0.287	J6

PCB Layout Guidelines

A good PCB layout is important to achieve expected performance. Consideration should be taken when placing the components and routing the trace to minimize the ground impedance, and keep the parasitic inductance low. The input and output capacitors should have a good ground connection and be placed as close to the IC as possible. The 'FB' trace must be away from noisy planes and traces.

The large 2x3 via pattern under the ISL80510/ISL80505 is connected to a large ground copper plane on the bottom layer for effective thermal dissipation.

Quick Start Guide

1. Select the desired output voltage by shorting one of the jumpers from J1 through J6.
2. Connect the input supply to VIN and GND.
3. Connect the load to VOUT and GND.
4. Enable the IC using jumper JP1 and observe the output.

ISL80510EVAL1Z Evaluation Board

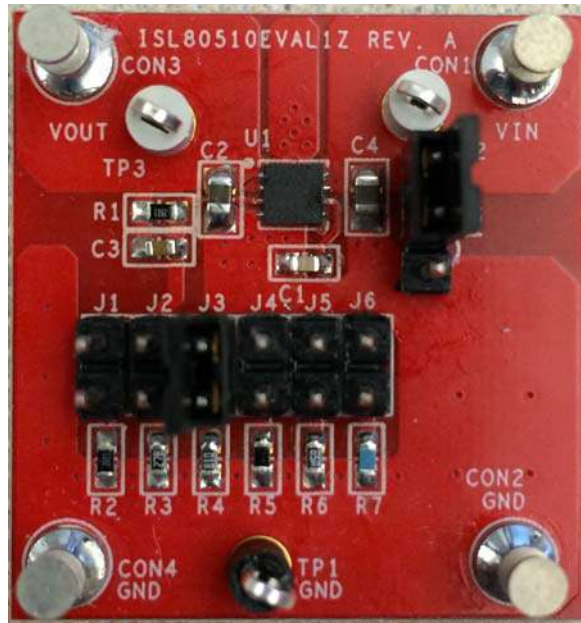


FIGURE 2. TOP SIDE



FIGURE 3. BOTTOM SIDE

ISL80510EVAL1Z Circuit Schematic

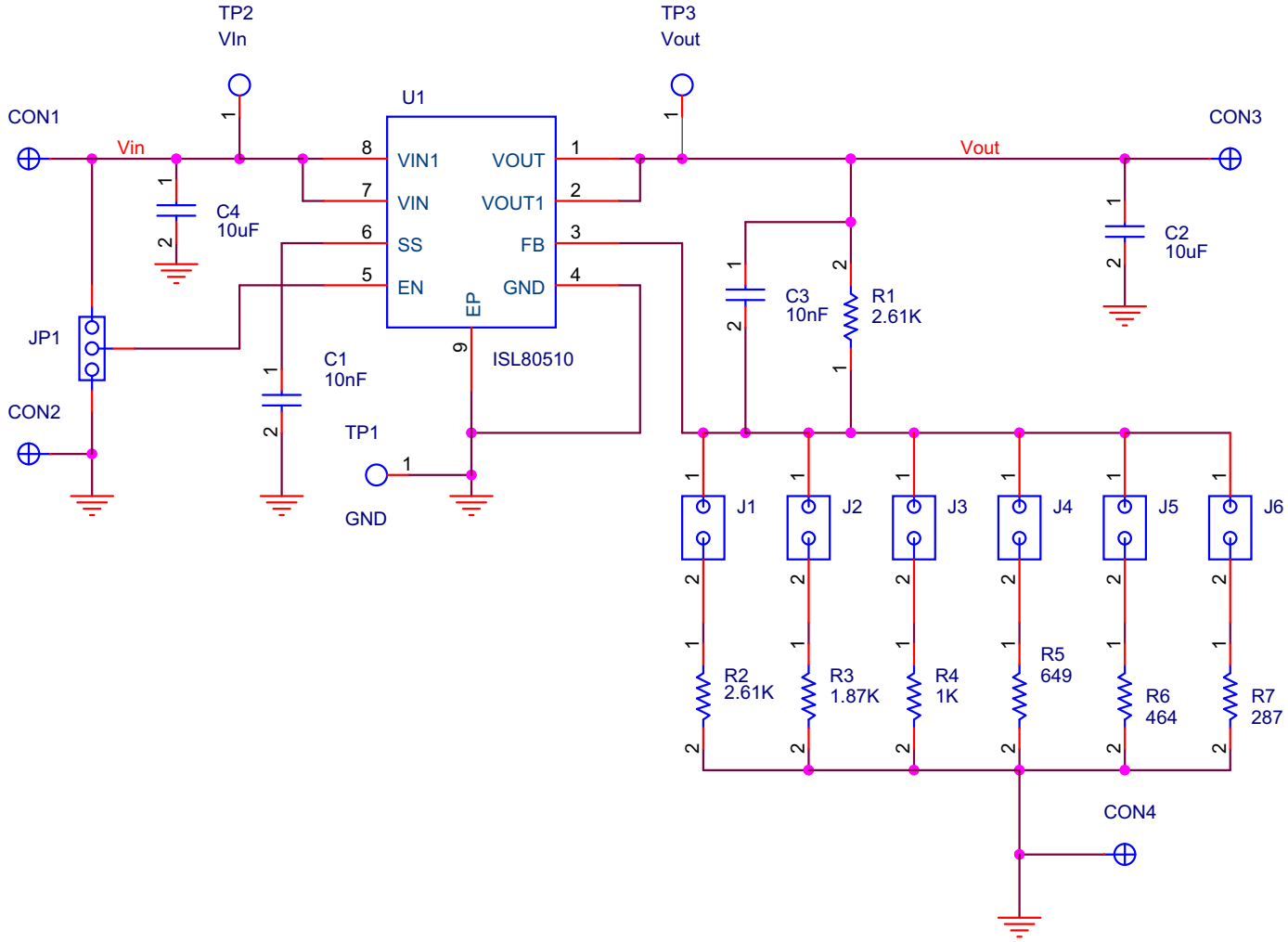


FIGURE 4. ISL80510EVAL1Z SCHEMATIC

Bill of Materials

ITEM	QTY	REFERENCE DESIGNATOR	VALUE	TOL (%)	RATING	TYPE	PCB FOOTPRINT	MANUFACTURER	MANUFACTURER PART NUMBER
1	2	C1, C3	10nF	5	25V	NPO	SM0603	Various	
2	2	C4, C2	10 μ F	10	25V	X5R	SM0805	Various	
3	6	J1, J2, J3, J4, J5, J6	Header 1x2			Header		MOLEX	22-03-2021
4	1	JP1	Header 1x3			Header		MOLEX	22-03-2031
5	2	R1, R2	2.61k	1	100mW	THK FILM	SM0603	Various	
6	1	R3	1.87k	1	100mW	THK FILM	SM0603	Various	
7	1	R4	1k	1	100mW	THK FILM	SM0603	Various	
8	1	R5	649	1	100mW	THK FILM	SM0603	Various	
9	1	R6	464	1	100mW	THK FILM	SM0603	Various	
10	1	R7	287	1	100mW	THK FILM	SM0603	Various	
11	0	TP1, TP2, TP3	Do Not Populated			Test point			
12	1	U1	ISL80510				8 Ld 3x3 DFN	INTERSIL	ISL80510IRAJZ
13	4	CON1, CON2, CON3, CON4				Terminal	Turret	Keystone	1514-2

Board Layout - 2 Layers

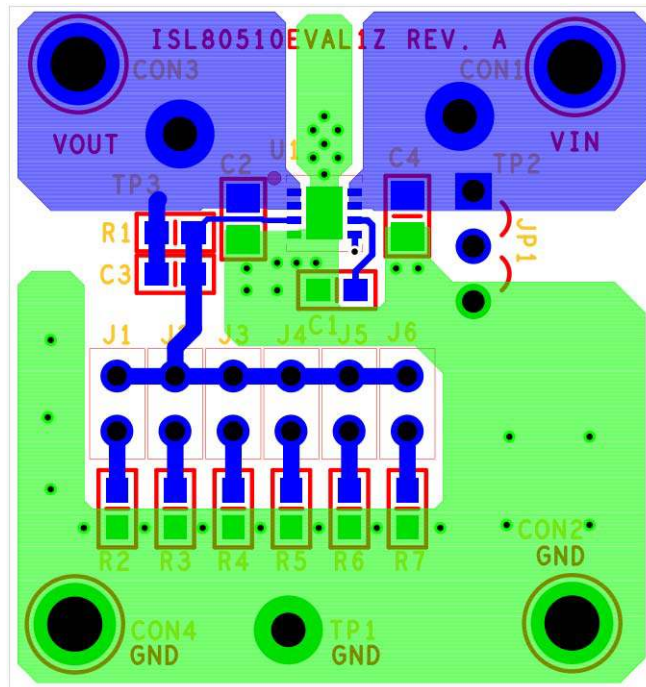


FIGURE 5. TOP LAYER

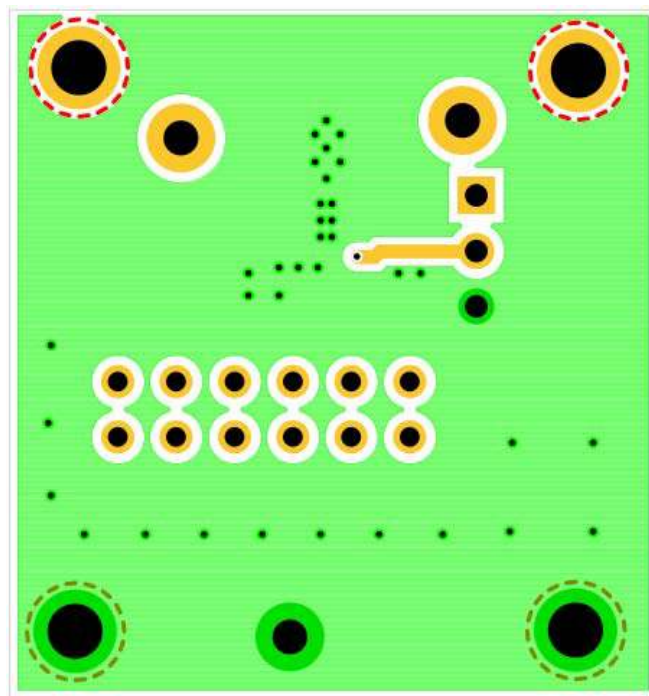


FIGURE 6. PCB - BOTTOM LAYER (VIEWED FROM TOP)

Typical Performance Curves

Unless otherwise noted: $V_{IN} = 2.2V$, $V_{OUT} = 1.8V$, $T_J = +25^\circ C$, $I_L = 0A$.

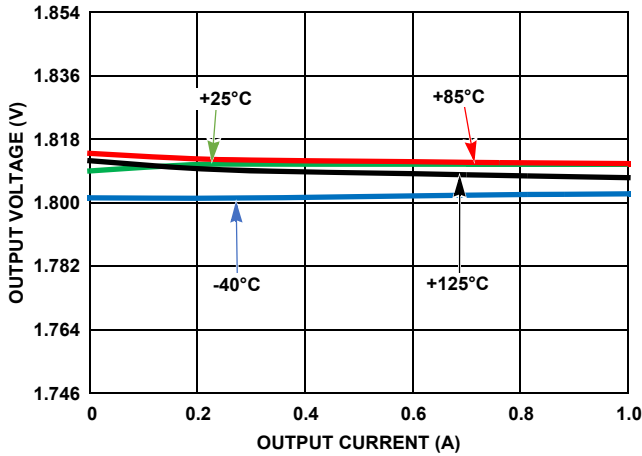


FIGURE 7. LOAD REGULATION

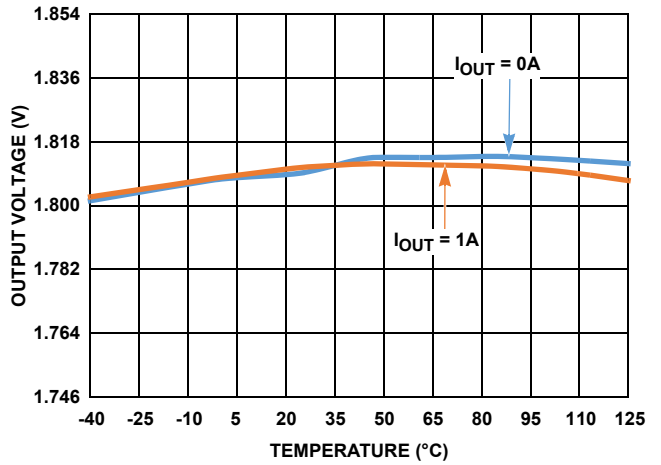


FIGURE 8. OUTPUT VOLTAGE vs TEMPERATURE

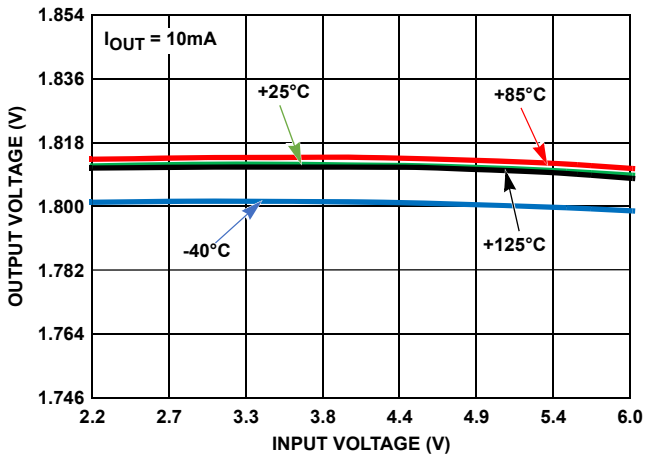


FIGURE 9. LINE REGULATION

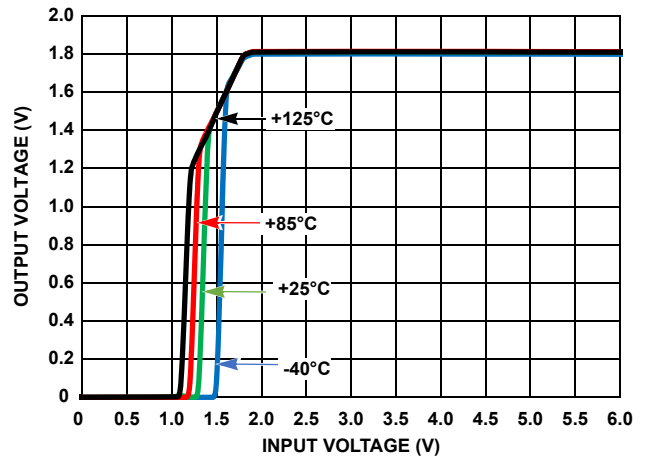


FIGURE 10. OUTPUT VOLTAGE vs INPUT VOLTAGE

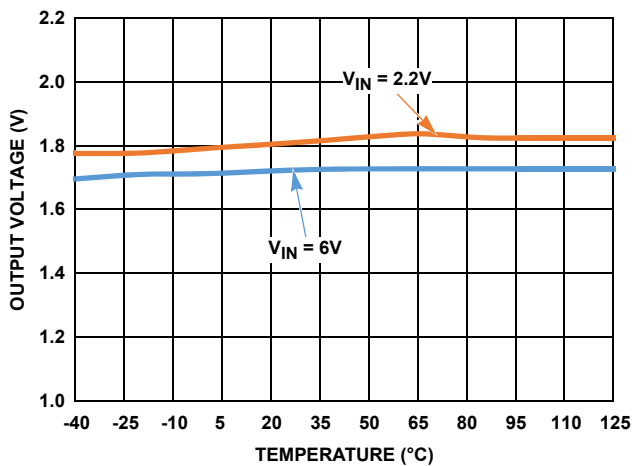


FIGURE 11. CURRENT LIMIT vs TEMPERATURE

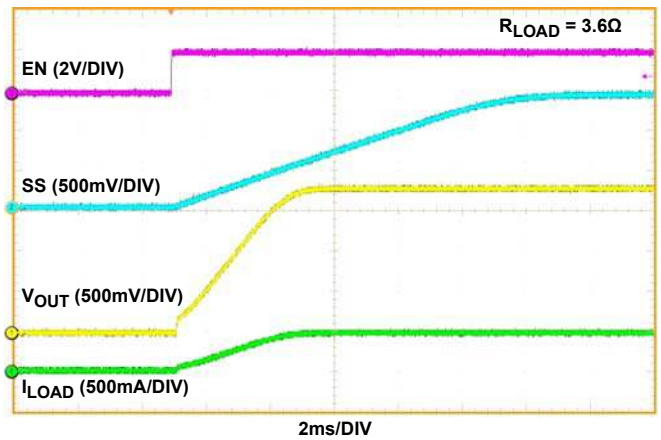


FIGURE 12. ENABLE START-UP ($C_{SS} = 10nF$)

Typical Performance Curves

Unless otherwise noted: $V_{IN} = 2.2V$, $V_{OUT} = 1.8V$, $T_J = +25^\circ C$, $I_L = 0A$.

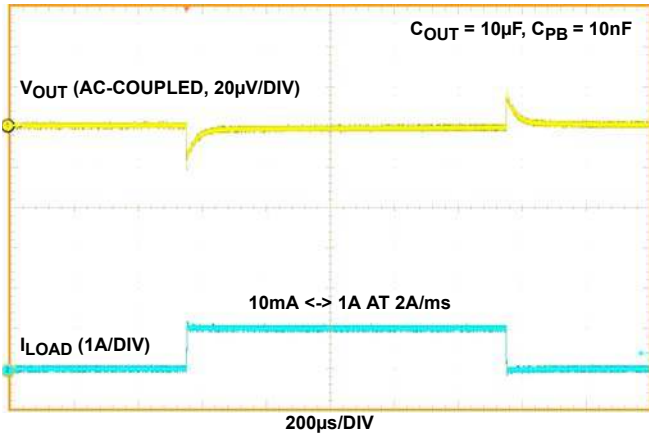


FIGURE 13. LOAD TRANSIENT RESPONSE

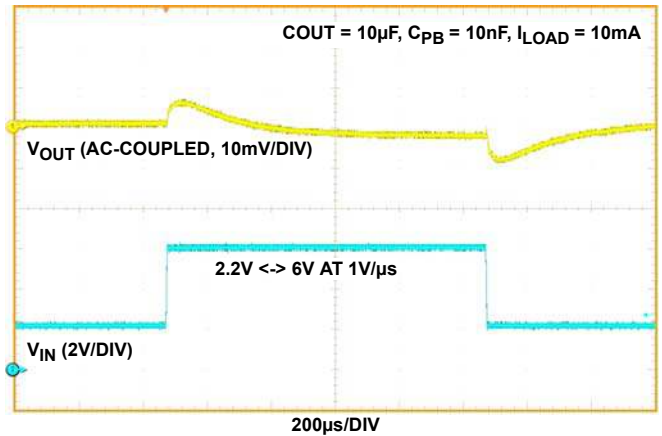


FIGURE 14. LINE TRANSIENT RESPONSE

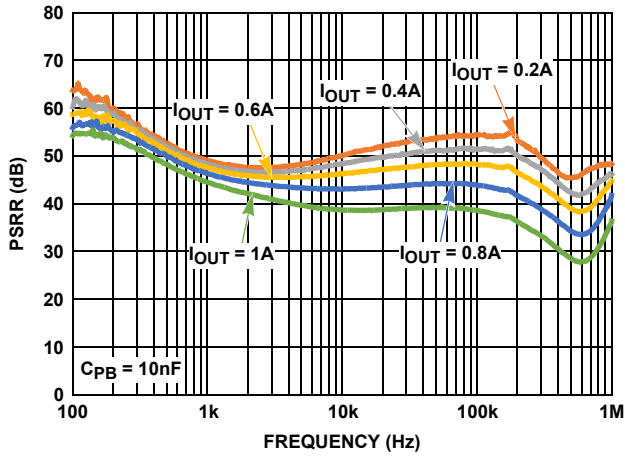


FIGURE 15. PSRR vs FREQUENCY

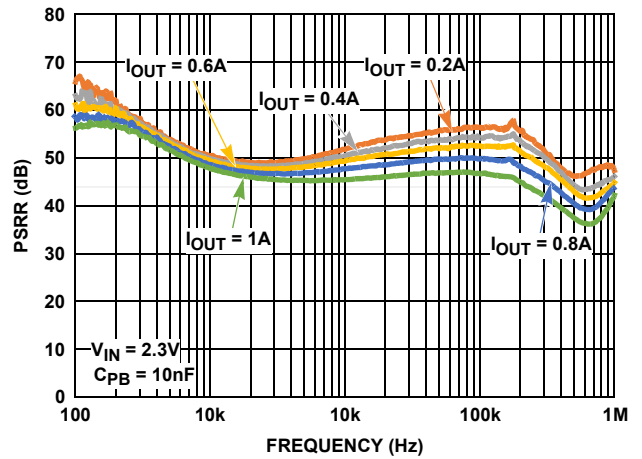


FIGURE 16. PSRR vs FREQUENCY

Notice

1. Descriptions of circuits, software and other related information in this document are provided only to illustrate the operation of semiconductor products and application examples. You are fully responsible for the incorporation or any other use of the circuits, software, and information in the design of your product or system. Renesas Electronics disclaims any and all liability for any losses and damages incurred by you or third parties arising from the use of these circuits, software, or information.
2. Renesas Electronics hereby expressly disclaims any warranties against and liability for infringement or any other claims involving patents, copyrights, or other intellectual property rights of third parties, by or arising from the use of Renesas Electronics products or technical information described in this document, including but not limited to, the product data, drawings, charts, programs, algorithms, and application examples.
3. No license, express, implied or otherwise, is granted hereby under any patents, copyrights or other intellectual property rights of Renesas Electronics or others.
4. You shall not alter, modify, copy, or reverse engineer any Renesas Electronics product, whether in whole or in part. Renesas Electronics disclaims any and all liability for any losses or damages incurred by you or third parties arising from such alteration, modification, copying or reverse engineering.
5. Renesas Electronics products are classified according to the following two quality grades: "Standard" and "High Quality". The intended applications for each Renesas Electronics product depends on the product's quality grade, as indicated below.
"Standard": Computers; office equipment; communications equipment; test and measurement equipment; audio and visual equipment; home electronic appliances; machine tools; personal electronic equipment; industrial robots; etc.
"High Quality": Transportation equipment (automobiles, trains, ships, etc.); traffic control (traffic lights); large-scale communication equipment; key financial terminal systems; safety control equipment; etc.
Unless expressly designated as a high reliability product or a product for harsh environments in a Renesas Electronics data sheet or other Renesas Electronics document, Renesas Electronics products are not intended or authorized for use in products or systems that may pose a direct threat to human life or bodily injury (artificial life support devices or systems; surgical implantations; etc.), or may cause serious property damage (space system; undersea repeaters; nuclear power control systems; aircraft control systems; key plant systems; military equipment; etc.). Renesas Electronics disclaims any and all liability for any damages or losses incurred by you or any third parties arising from the use of any Renesas Electronics product that is inconsistent with any Renesas Electronics data sheet, user's manual or other Renesas Electronics document.
6. When using Renesas Electronics products, refer to the latest product information (data sheets, user's manuals, application notes, "General Notes for Handling and Using Semiconductor Devices" in the reliability handbook, etc.), and ensure that usage conditions are within the ranges specified by Renesas Electronics with respect to maximum ratings, operating power supply voltage range, heat dissipation characteristics, installation, etc. Renesas Electronics disclaims any and all liability for any malfunctions, failure or accident arising out of the use of Renesas Electronics products outside of such specified ranges.
7. Although Renesas Electronics endeavors to improve the quality and reliability of Renesas Electronics products, semiconductor products have specific characteristics, such as the occurrence of failure at a certain rate and malfunctions under certain use conditions. Unless designated as a high reliability product or a product for harsh environments in a Renesas Electronics data sheet or other Renesas Electronics document, Renesas Electronics products are not subject to radiation resistance design. You are responsible for implementing safety measures to guard against the possibility of bodily injury, injury or damage caused by fire, and/or danger to the public in the event of a failure or malfunction of Renesas Electronics products, such as safety design for hardware and software, including but not limited to redundancy, fire control and malfunction prevention, appropriate treatment for aging degradation or any other appropriate measures. Because the evaluation of microcomputer software alone is very difficult and impractical, you are responsible for evaluating the safety of the final products or systems manufactured by you.
8. Please contact a Renesas Electronics sales office for details as to environmental matters such as the environmental compatibility of each Renesas Electronics product. You are responsible for carefully and sufficiently investigating applicable laws and regulations that regulate the inclusion or use of controlled substances, including without limitation, the EU RoHS Directive, and using Renesas Electronics products in compliance with all these applicable laws and regulations. Renesas Electronics disclaims any and all liability for damages or losses occurring as a result of your noncompliance with applicable laws and regulations.
9. Renesas Electronics products and technologies shall not be used for or incorporated into any products or systems whose manufacture, use, or sale is prohibited under any applicable domestic or foreign laws or regulations. You shall comply with any applicable export control laws and regulations promulgated and administered by the governments of any countries asserting jurisdiction over the parties or transactions.
10. It is the responsibility of the buyer or distributor of Renesas Electronics products, or any other party who distributes, disposes of, or otherwise sells or transfers the product to a third party, to notify such third party in advance of the contents and conditions set forth in this document.
11. This document shall not be reprinted, reproduced or duplicated in any form, in whole or in part, without prior written consent of Renesas Electronics.
12. Please contact a Renesas Electronics sales office if you have any questions regarding the information contained in this document or Renesas Electronics products.
(Note 1) "Renesas Electronics" as used in this document means Renesas Electronics Corporation and also includes its directly or indirectly controlled subsidiaries.
(Note 2) "Renesas Electronics product(s)" means any product developed or manufactured by or for Renesas Electronics.

(Rev.4.0-1 November 2017)



SALES OFFICES

Renesas Electronics Corporation

<http://www.renesas.com>

Refer to "<http://www.renesas.com/>" for the latest and detailed information.

Renesas Electronics America Inc.
1001 Murphy Ranch Road, Milpitas, CA 95035, U.S.A.
Tel: +1-408-432-8888, Fax: +1-408-434-5351

Renesas Electronics Canada Limited
9251 Yonge Street, Suite 8309 Richmond Hill, Ontario Canada L4C 9T3
Tel: +1-905-237-2004

Renesas Electronics Europe Limited
Dukes Meadow, Millboard Road, Bourne End, Buckinghamshire, SL8 5FH, U.K.
Tel: +44-1628-651-700, Fax: +44-1628-651-804

Renesas Electronics Europe GmbH
Arcadiastrasse 10, 40472 Düsseldorf, Germany
Tel: +49-211-6503-0, Fax: +49-211-6503-1327

Renesas Electronics (China) Co., Ltd.
Room 1709 Quantum Plaza, No.27 ZhichunLu, Haidian District, Beijing, 100191 P. R. China
Tel: +86-10-8235-1155, Fax: +86-10-8235-7679

Renesas Electronics (Shanghai) Co., Ltd.
Unit 301, Tower A, Central Towers, 555 Langao Road, Putuo District, Shanghai, 200333 P. R. China
Tel: +86-21-2226-0888, Fax: +86-21-2226-0999

Renesas Electronics Hong Kong Limited
Unit 1601-1611, 16/F., Tower 2, Grand Century Place, 193 Prince Edward Road West, Mongkok, Kowloon, Hong Kong
Tel: +852-2265-6688, Fax: +852-2886-9022

Renesas Electronics Taiwan Co., Ltd.
13F, No. 363, Fu Shing North Road, Taipei 10543, Taiwan
Tel: +886-2-8175-9600, Fax: +886-2-8175-9670

Renesas Electronics Singapore Pte. Ltd.
80 Bendemeer Road, Unit #06-02 Hyflux Innovation Centre, Singapore 339949
Tel: +65-6213-0200, Fax: +65-6213-0300

Renesas Electronics Malaysia Sdn.Bhd.
Unit 1207, Block B, Menara Amcorp, Amcorp Trade Centre, No. 18, Jln Persiaran Barat, 46050 Petaling Jaya, Selangor Darul Ehsan, Malaysia
Tel: +60-3-7955-9390, Fax: +60-3-7955-9510

Renesas Electronics India Pvt. Ltd.
No.777C, 100 Feet Road, HAL 2nd Stage, Indiranagar, Bangalore 560 038, India
Tel: +91-80-67208700, Fax: +91-80-67208777

Renesas Electronics Korea Co., Ltd.
17F, KAMCO Yangjae Tower, 262, Gangnam-daero, Gangnam-gu, Seoul, 06265 Korea
Tel: +82-2-558-3737, Fax: +82-2-558-5338