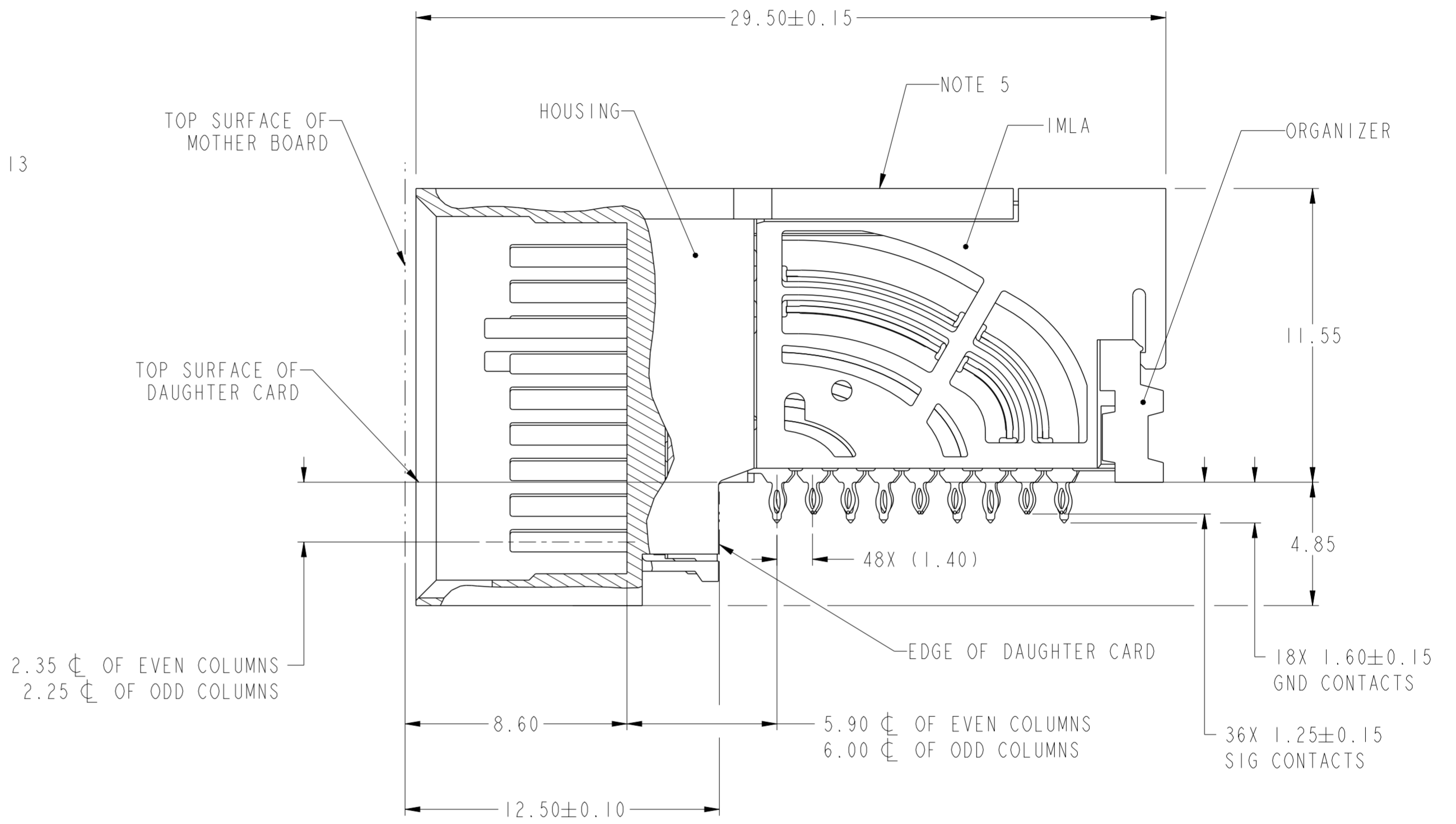
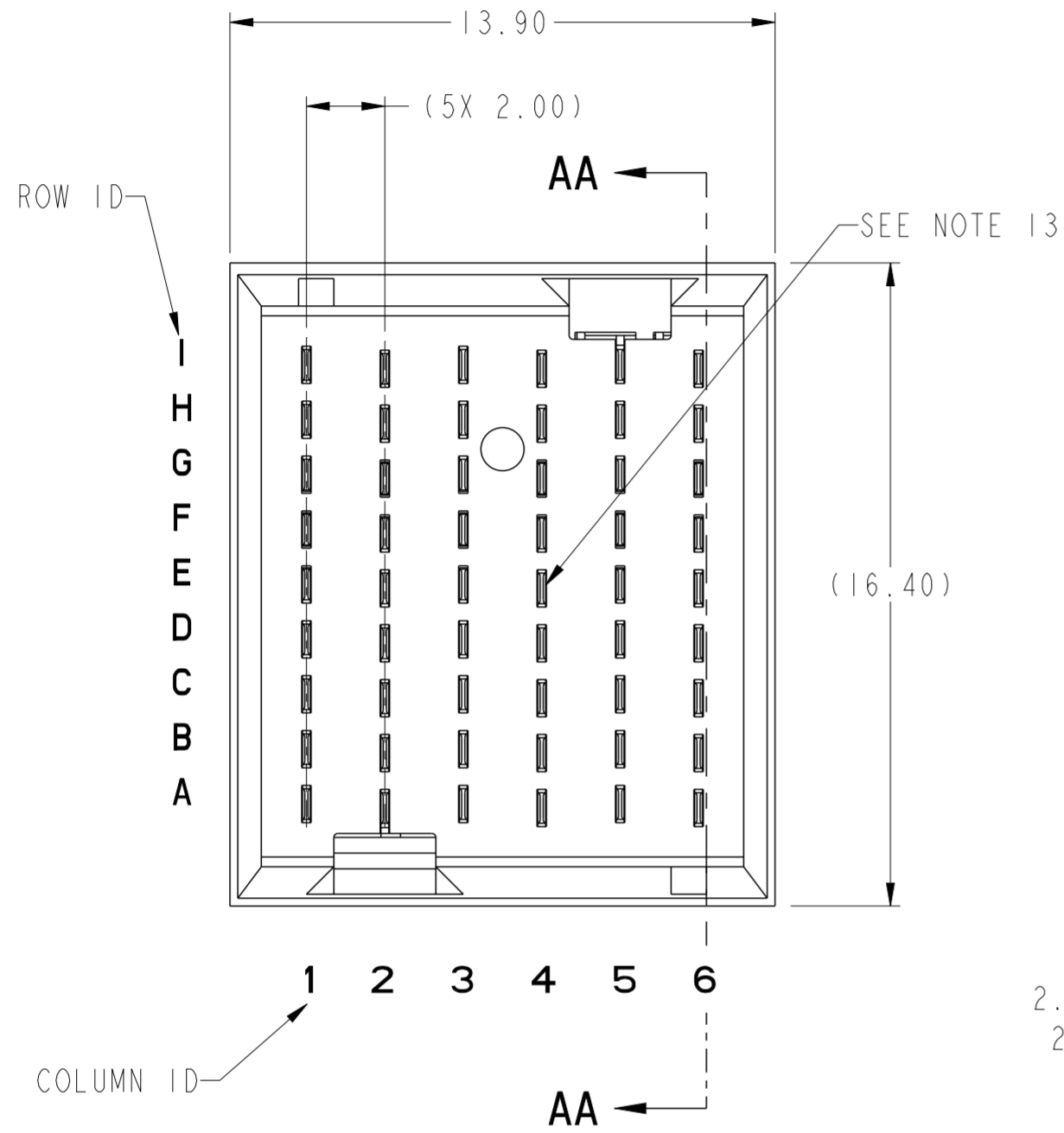


PRODUCT NUMBER  
SEE SHEET 3



SECTION AA-AA

spec ref	---	dr	Terry Luo	2019/11/13	projection	MM	size	A2	scale	10:1	
tolerance std	ASME Y14.5M	eng	Terry Luo	2020/09/04			ecn no	ELX-DG-38252-1			
TOLERANCES UNLESS OTHERWISE SPECIFIED		chr	-				rel level	Released			
		appr	Heaven Cen 2020/09/17				product family	-			
surface	linear	0.X	±.3		title		AirMax VSE R.A. HEADER		Ass'y, 3 Pair, 54 pos, 6 IMLA, GXT+ cat. no. - Product - Customer Drw	rev	B
		0.XX	±.15		dwg no	10155266		sheet 1 of 3			
		0.XXX	±.050								
	angular	0°	±2°								

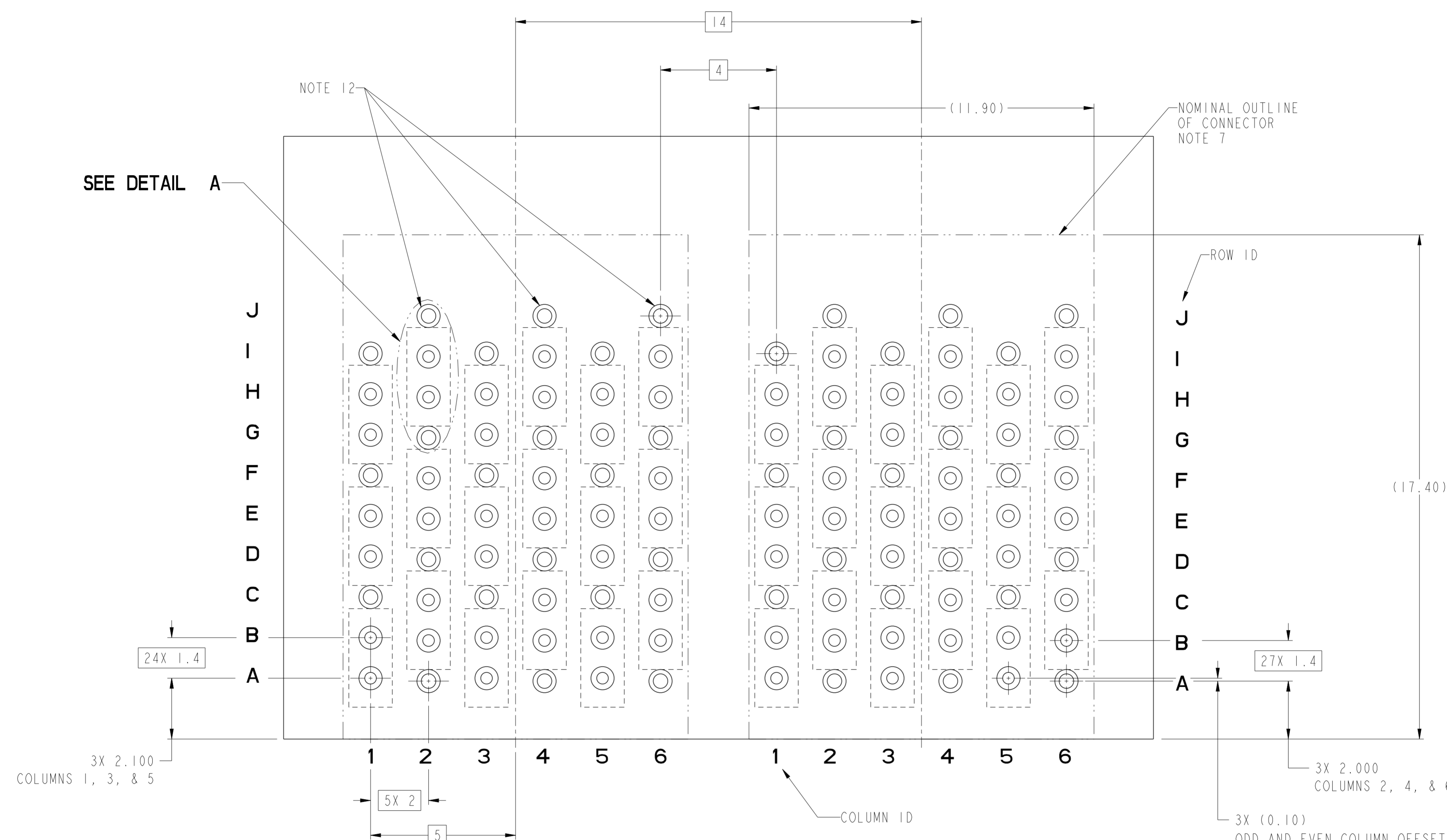
PDS: Rev :B

STATUS:Released

Printed: Sep 18, 2020

Amphenol  
FCi

© 2016 AFci

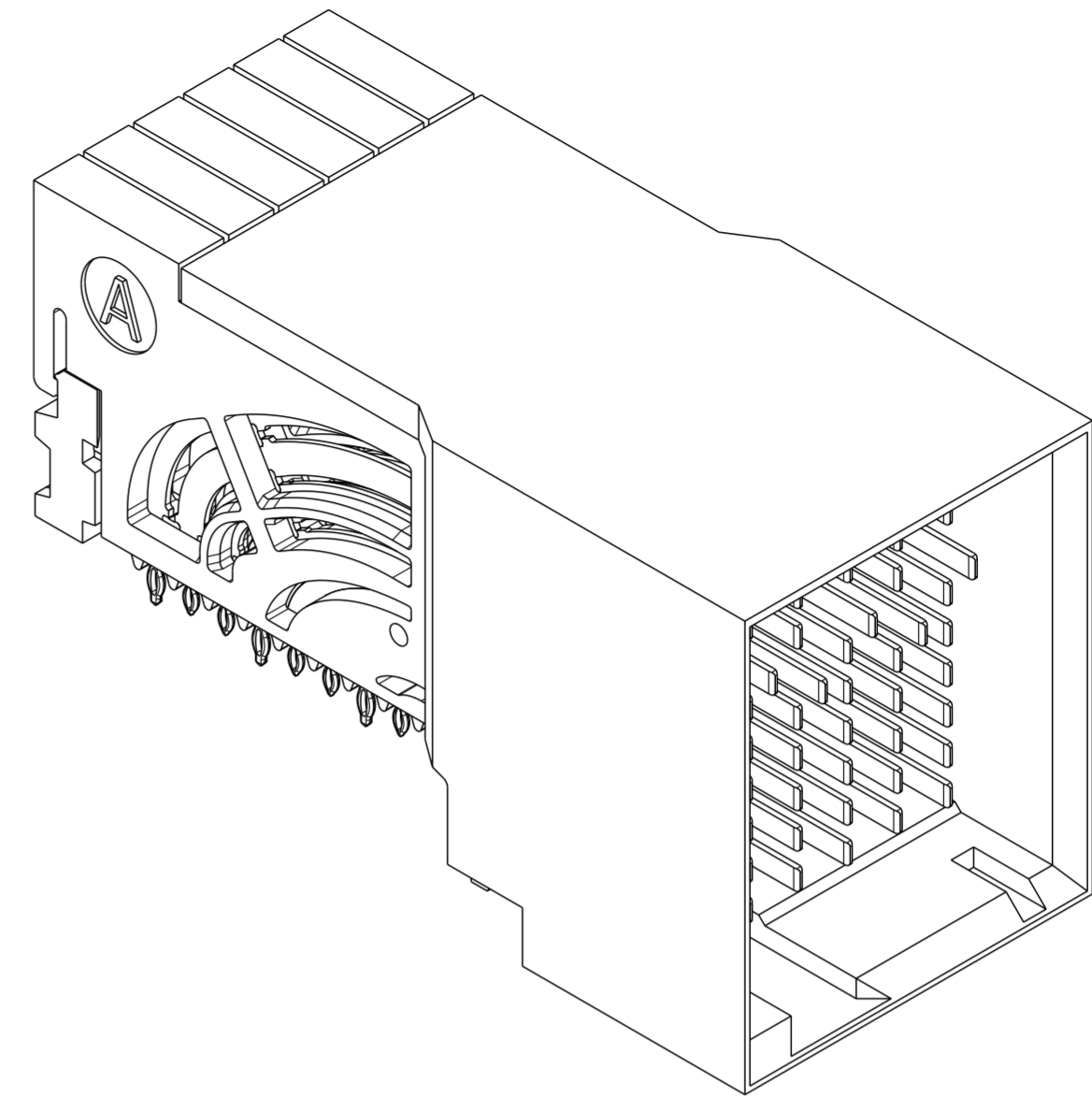


**RECOMMENDED PCB LAYOUT  
FOR DIFFERENTIAL APPLICATIONS  
COMPONENT SIDE  
(TWO ADJACENT FOOTPRINTS SHOWN)  
NOTES 8 & 11  
SCALE 10:1**

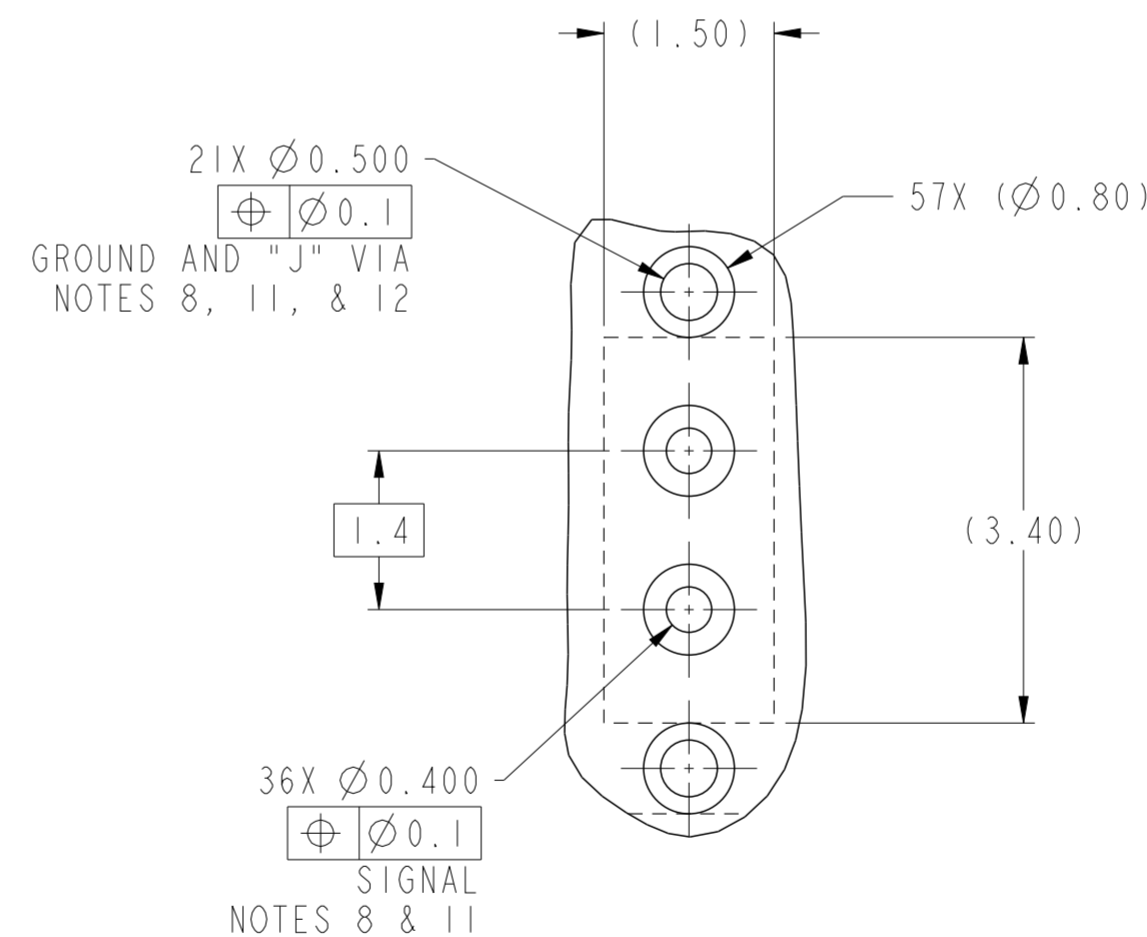
spec ref	---	dr	Terry Luo	2019/11/13	projection	MM	size	A2	scale	10:1										
tolerance std	ASME Y14.5M	eng	Terry Luo	2020/09/04			ecn no	ELX-DG-38252-1												
TOLERANCES UNLESS OTHERWISE SPECIFIED		chr	-	appr			Heaven Cen	2020/09/17	rel level	Released										
surface	<table border="1"> <tr> <td rowspan="3">linear</td> <td>0.X</td> <td>±.3</td> </tr> <tr> <td>0.XX</td> <td>±.15</td> </tr> <tr> <td>0.XXX</td> <td>±.050</td> </tr> <tr> <td>angular</td> <td>0°</td> <td>±2°</td> </tr> </table>	linear	0.X	±.3	0.XX	±.15	0.XXX	±.050	angular	0°	±2°			<b>title</b> AirMax VSE R.A. HEADER Ass'y, 3 Pair, 54 pos, 6 IMLA, GXT+		<b>cat. no.</b> -	<b>product family</b> -	<b>product</b> -	<b>customer</b> -	<b>sheet</b> 2 of 3
linear	0.X		±.3																	
	0.XX		±.15																	
	0.XXX	±.050																		
angular	0°	±2°																		
		<b>Amphenol FCI</b>		<b>title</b> AirMax VSE R.A. HEADER Ass'y, 3 Pair, 54 pos, 6 IMLA, GXT+		<b>cat. no.</b> -	<b>product family</b> -	<b>product</b> -	<b>customer</b> -	<b>sheet</b> 2 of 3										

PRODUCT NUMBER	PRESS-FIT TAIL PLATING TYPE	SHORT DETECTION CONTACT
10155266-101LF	TIN OVER NICKEL (LEAD FREE)	NO
10155266-111LF	TIN OVER NICKEL (LEAD FREE)	YES (SEE NOTE 13)

- 1 - CONNECTOR MATERIALS:  
HOUSING: HIGH TEMP THERMOPLASTIC, NATURAL, UL94-V0  
IMLA PLASTIC: HIGH TEMP THERMOPLASTIC, BLACK, UL94-V0  
CONTACT: COPPER ALLOY  
ORGANIZER: HIGH TEMP THERMOPLASTIC, NATURAL, UL94-V0
- 2 - CONTACT PLATING:  
SEPARABLE INTERFACE:  
PERFORMANCE-BASED PLATING, QUALIFIED TO MEET THE REQUIREMENTS OF FCI PRODUCT SPECIFICATION GS-12-0956 INCLUDING TELCORDIA GR-1217-CORE (NOVEMBER 1995) CENTRAL OFFICE TEST SEQUENCE
- PRESS-FIT TAILS: SEE TABLE
- 3 - PRODUCT SPECIFICATION: GS-12-0956
- 4 - APPLICATION SPECIFICATION: GS-20-0305
- 5 - PRODUCT MARKING, (PART NUMBER & LOT CODE), ON THIS SURFACE.
- 6 - POSITIONS "F" OF ODD NUMBERED COLUMNS AND POSITIONS "G" OF EVEN NUMBERED COLUMNS CORRESPOND TO EARLY MATE HEADER PINS.
- 7 - CONNECTOR OUTLINE MAY BE SCREEN PRINTED ONTO CUSTOMER PCB TO BE USED AS A GUIDE FOR CONNECTOR PLACEMENT.
- 8 - REFER TO CUSTOMER DRAWING 10104444 FOR INFORMATION ON PCB HOLE DIAMETERS AND PLATING OPTIONS
- 9 - LEAD FREE PRODUCT MEETS THE EUROPEAN UNION DIRECTIVES & OTHER COUNTRY REGULATIONS AS DESCRIBED IN GS-22-008
- 10 - PACKAGING MEETS GS-14-920 LEAD FREE LABELING SPECIFICATION.
- 11 - GROUND CONTACTS (C, F, & I IN ODD COLUMNS AND A, D, & G IN EVEN COLUMNS) REQUIRE (Ø0.50) FINISHED HOLES. SIGNAL LOCATIONS REQUIRE (Ø0.40) FINISHED HOLES
- 12 - THESE OUTER VIAS (J) ARE OPTIONAL. WHILE NO CONNECTOR PINS ARE PRESSED INTO THESE HOLES WE RECOMMEND (Ø0.500) FINISHED HOLES AT THESE LOCATIONS TO PROVIDE GROUND SYMMETRY THROUGH THE PCB.
- 13 - MATING PIN E4 HAS 0.5mm LESS NOMINAL WIPE THAN THE SHORTEST PIN



10155266-101LF



DETAIL A  
SCALE 15:1

spec ref	---	dr	Terry Luo	2019/11/13	projection	MM	size	A2	scale	10:1
tolerance std	ASME Y14.5M	eng	Terry Luo	2020/09/04	chr	-	ecn no	ELX-DG-38252-1		
TOLERANCES UNLESS OTHERWISE SPECIFIED		appr	Heaven Cen	2020/09/17	product family	-	rel level	Released		
surface	linear	0.X	±.3	Amphenol FCI	title		AirMax VSE R.A. HEADER	dwg no	10155266	rev
		0.XX	±.15		Ass'y, 3 Pair, 54 pos, 6 IMLA, GXT+		B			
		0.XXX	±.050		cat. no.		Product - Customer Drw		sheet 3 of 3	
	angular	0°	±2°							