

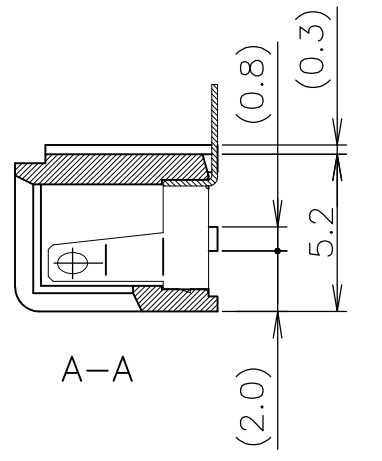
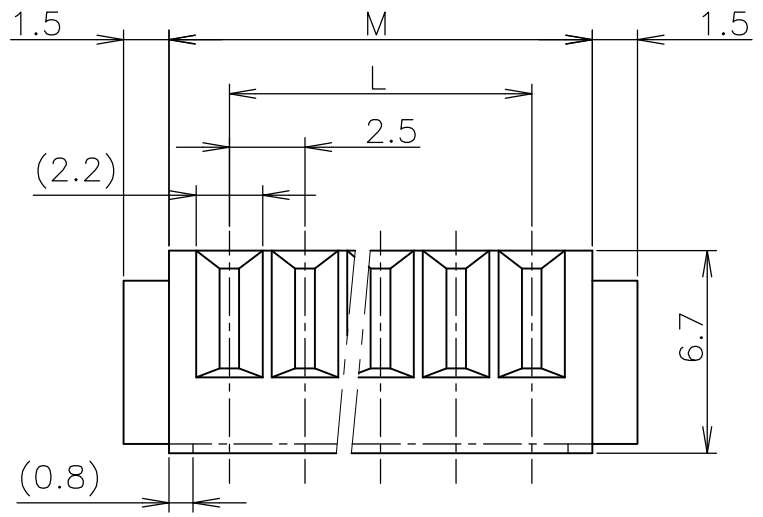
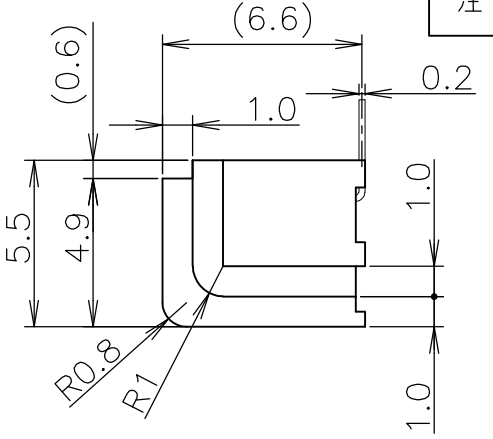
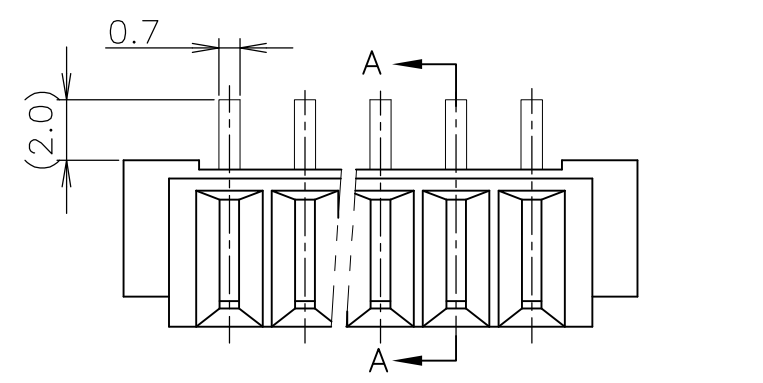
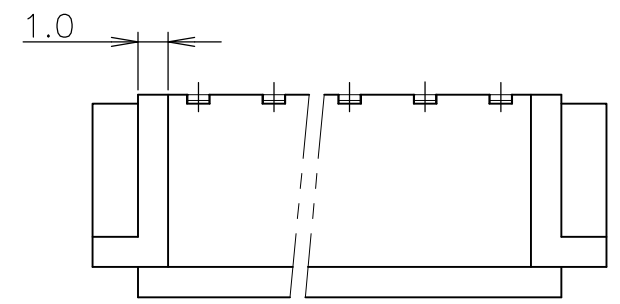
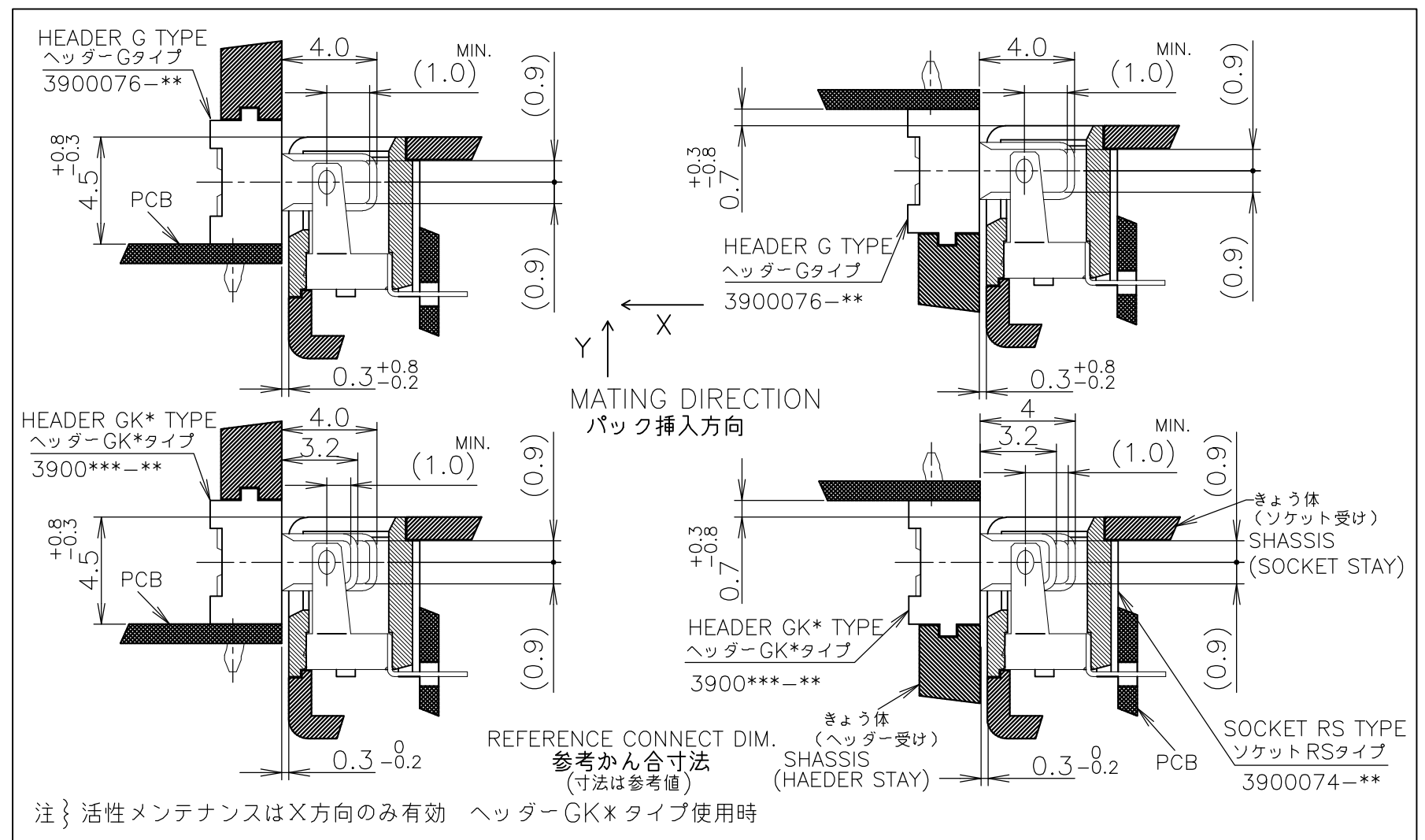
THIS DRAWING IS UNPUBLISHED. RELEASED FOR PUBLICATION AUG, 2004.
 © COPYRIGHT 2004 BY TYCO ELECTRONICS CORPORATION. ALL RIGHTS RESERVED.

LOC	DIST	REVISIONS			DATE	DWN	APVD
		P	LTR	DESCRIPTION			
J	/	01		REVISED PER ECO-09-024927	10NOV09	KK	AEG

1 一般公差 ±0.3
 2 材質
 ベース: 熱可塑性樹脂, 黒色
 ポスト: 銅合金
 全面: ニッケル下地めっき
 接触部: 金めっき 0.1μm MIN.
 半田付け部: 金めっき

1 GENERAL TOLERANCE : ±0.3
 2 MATERIALS
 BASE : THERMOPLASTIC, BLACK
 POST : COPPER ALLOY
 0.1μm MIN. GOLD
 OVER NICKEL PLATE (CONTACT AREA)
 Au PLATE OVER NICKEL PLATE (TAIL AREA)

3 OBSOLETE PARTS: OBSOLETE CIS STREAMLINING PER D.RENAUD/D.SINISI



鉛フリー
LEAD FREE

3 OBSOLETE

6-6447143-1	3900074-06	6	12.5	16.5	
4-6447141-6	3900074-05	5	10.0	14.0	
4-6447141-5	3900074-04	4	7.5	11.5	
	3900074-03	3	5.0	9.0	
PART NO. 型番	OLD PART NO. 旧型番	NO. OF POS. 極数	L 寸法	M SIZE	REMARK 備考

THIS DRAWING IS A CONTROLLED DOCUMENT.		DWN H.TAKASU 05AUG04	Tyco Electronics AMP K.K. Kawasaki, Japan		
DIMENSIONS: 単位: 耗 mm		CHK T.KIMURA 05AUG04	NAME 名称		
TOLERANCES UNLESS OTHERWISE SPECIFIED: 一般公差		APVD K.IKEGAMI 05AUG04	PRODUCT SPEC 製品規格 108-78126		
0 PLC ± 1 PLC ± 2 PLC ± 3 PLC ± 4 PLC ± ANGLES ±		APPLICATION SPEC 取付適用規格		BU CONNECTOR FS3 SOCKET RS TYPE	
MATERIAL 材料	FINISH 仕上	WEIGHT	SIZE A3	CAGE CODE 00779	DRAWING NO 番号 G-4-6447141-5
CUSTOMER DRAWING		SCALE 尺度 4:1		SHEET 1 OF 1	REV 01