


SACB-6/ 6-L-SC

Order No.: 1671234

The illustration shows a version with 8 slots

<http://eshop.phoenixcontact.de/phoenix/treeViewClick.do?UID=1671234>

Sensor/actuator box, M12 female connector, Number of slots: 6,
Number of positions: 4, Slot assignment: Single, Status indication:
Yes, pnp 180°, Shielding: No

Commercial data	
GTIN (EAN)	
sales group	D103
Pack	1 pcs.
Customs tariff	85366990
Catalog page information	Page 115 (PC-2009)

Product notesWEEE/RoHS-compliant since:
01/17/2007

<http://www.download.phoenixcontact.com>
Please note that the data given here has been taken from the online catalog. For comprehensive information and data, please refer to the user documentation. The General Terms and Conditions of Use apply to Internet downloads.

Technical data	
General data	
Rated voltage	24 V DC
Max. operating voltage U_{max}	30 V DC
Current carrying capacity per I/O signal	2 A
Current carrying capacity per slot	4 A

Total rated current	12 A
Number of positions	4
Number of slots	6
Degree of protection	IP65/IP67
Inflammability class acc. to UL 94	V0
Ambient temperature (operation)	-25 °C ... 75 °C
Sensor/actuator connection system	M12 female connector

Local diagnostics function

Local diagnostics	Supply voltage per module Green LED
	Status display I/O Yellow LED

Master cable data

Type of connection	Spring-cage conn.
Conductor cross-section min. (signal)	0.14 mm ²
Conductor cross-section max. (signal)	1 mm ²
Conductor cross-section AWG min. (signal)	26
Conductor cross-section AWG max. (signal)	17
Conductor cross-section min. (energy)	0.2 mm ²
Conductor cross-section max. (energy)	1.5 mm ²
Conductor cross-section AWG min. (energy)	24
Conductor cross-section AWG max. (energy)	16
External cable diameter min.	6.5 mm
External cable diameter max.	9.5 mm
Stripping length	10 mm
Tightening torque, union nut	2.5 Nm
Tightening torque slot sensor/actuator cable	0.4 Nm
Tightening torque screw plug	0.4 Nm

Insulation material

Housing material	PA
Contact material	CuSn
Contact surface material	Ni/Au
Contact carrier material	PA
Material of contact, master cable side	CuZn
Material of contact surface, master cable side	NiSn

Material of the contact carrier on the master cable side	PA 66 V0
Material, O-ring	NBR

Pin assignment

Slot/position = Wire color or connection	1 / 4 (A) = 1 / 4
	2 / 4 (A) = 2 / 4
	3 / 4 (A) = 3 / 4
	4 / 4 (A) = 4 / 4
	5 / 4 (A) = 5 / 4
	6 / 4 (A) = 6 / 4
	1-6 / 1 (+ 24 V) = U _N
	1-6 / 3 (0 V) = 0 V
	1-6 / 5 (PE) = PE

Certificates / Approvals



Certification CUL, GOST, UL

Accessories

Item	Designation	Description
General		
1503331	SACB- 6X0,34/ 3X0,75-50,0 PUR	Master cable for sensor/actuator boxes, with PE conductor, unshielded, material PUR/PVC, 9-pos., 6 x 0.34 mm ² and 3 x 0.75 mm ²
Grommet		
1680377	SACB-D PG 13,5 (4,0-6,5) YE	Rubber seal for Pg screw connection 13.5, for conductor diameter 4.0 mm ... 6.5 mm
1680380	SACB-D PG 13,5 (6,5-9,5) BK	Rubber seal for Pg screw connection 13.5, for conductor diameter 6.5 mm ... 9.5 mm
1680393	SACB-D PG 13,5 (9,0-13,0) RD	Rubber seal for Pg screw connection 13.5, for conductor diameter 9.0 mm ... 13.0 mm

Marking

2809128	ZBN 18:UNBEDRUCKT	Unprinted marker labels, strips with 5 labels for individual labeling with M-PEN or CMS system, for terminal block width: 17.5 mm, color: White
---------	-------------------	---

Protection and sealing elements

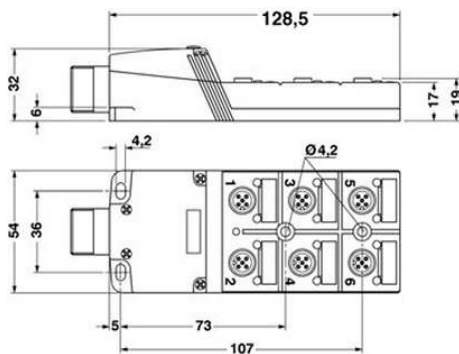
1680539	PROT-M12	An M12 screw plug for the unoccupied M12 sockets of the sensor/ actuator cable, boxes and flush-type connectors
---------	----------	---

Tools

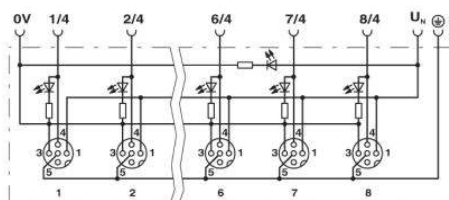
1208432	SAC BIT M12-D15	Nut for assembling sensor/actuator cables with M12 connector and for M12 connectors with QUICKON fast connection technology, for 4 mm hexagonal drive
1208445	SACC BIT M12-D20	Nut for assembling SACC M12 connectors for free assembly, excluding M12 connectors with QUICKON fast connection technology, for 4 mm hexagonal drive
1206450	SZK PZ1 VDE	Screwdriver, PZ crosshead, VDE insulated, size: PZ 1 x 80 mm, 2-component grip, with non-slip grip
1208429	TSD 04 SAC	Torque screwdriver, with preset torque of 0.4 Nm and 4 mm hexagonal drive for M12 connectors

Diagrams/Drawings

Dimensioned drawing

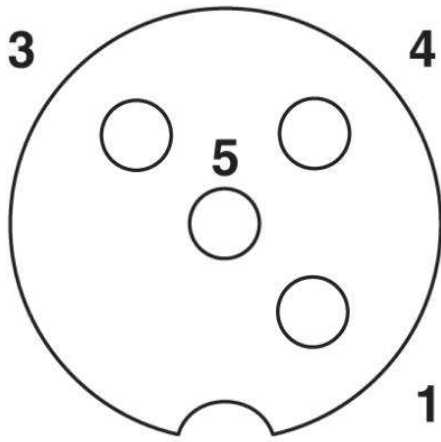


Circuit diagram



Schematic diagram

M12 slot, socket, 4-pos.



Address

PHOENIX CONTACT Inc., USA
586 Fulling Mill Road
Middletown, PA 17057, USA
Phone (800) 888-7388
Fax (717) 944-1625
<http://www.phoenixcon.com>



© 2010 Phoenix Contact
Technical modifications reserved;