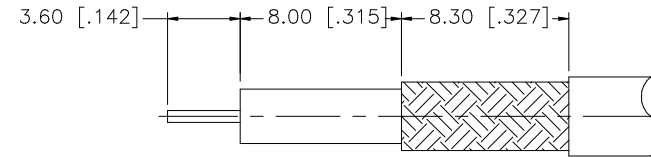
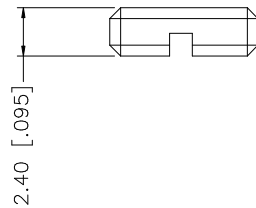
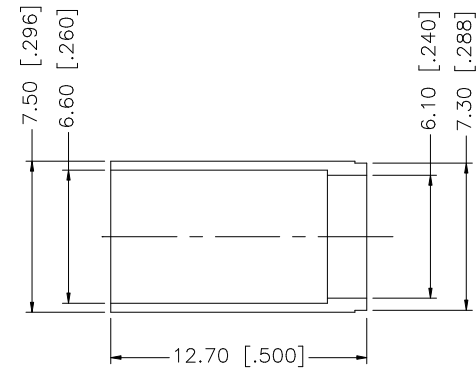
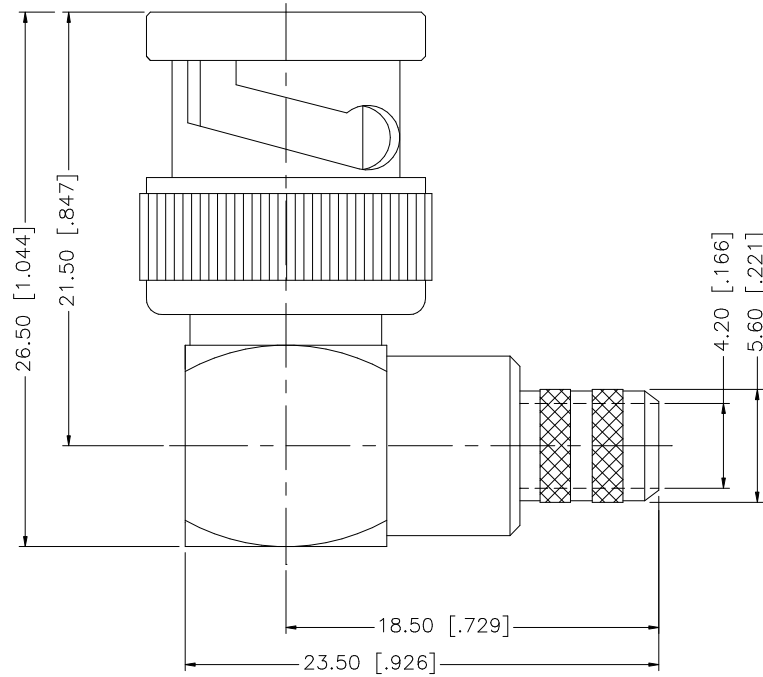


REV.	DATE	DESCRIPTION
NC	06/11/00	INITIAL RELEASE
A	08/17/06	UPDATE DRAWING FORMAT



RECOMMENDED
CABLE STRIPPING DIM'S

CRIMP NOTES:

1. CRIMPED FERRULE HEX CRIMP SIZE .255"
2. CENTER CONTACT TO SOLDER.

DESCRIPTION	MATERIAL	FINISH	QTY
8			
7			
6			
5	FERRULE	COPPER	NICKEL 1
4	COVER	BRASS	NICKEL 1
3	CONTACT PIN	BRASS	GOLD 1
2	INSULATOR	TEFLON	NATURAL 1
1	BODY	BRASS	NICKEL 1

UNLESS OTHERWISE SPECIFIED DIMENSIONS ARE IN MILLIMETERS. DIMENSIONS IN [] ARE IN INCHES AND FOR CUSTOMER REFERENCE ONLY.

UNLESS OTHERWISE SPECIFIED TOLERANCES FOR MILLIMETERS ARE:
0.5 - 8mm ± 0.20mm
8 - 30mm ± 0.40mm
30 - 120mm ± 0.50mm

UNLESS OTHERWISE SPECIFIED TOLERANCES FOR INCHES ARE:
.020 - .315 = ± 0.007"
.315 - 1.180 = ± 0.015"
1.180 - 4.724 = ± 0.020"

DO NOT SCALE DRAWING

APPROVALS	DATE
DRAWN G.R.S.	08/17/06
CHECKED	
ISSUED	
SHEET 1 OF 1	
CAD FILE	C:/112/112961.DWG

Amphenol Connex

PART DESCRIPTION

BNC R/A CRIMP PLUG
(AT&T 734A CABLE)

PART NO.

112961

DWG. NO.

112961.DWG

REV. A

SIZE A

SCALE NA