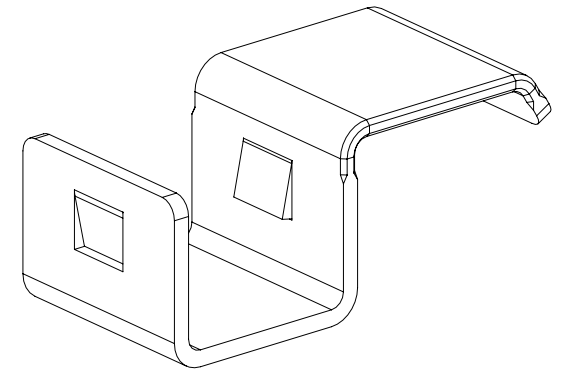
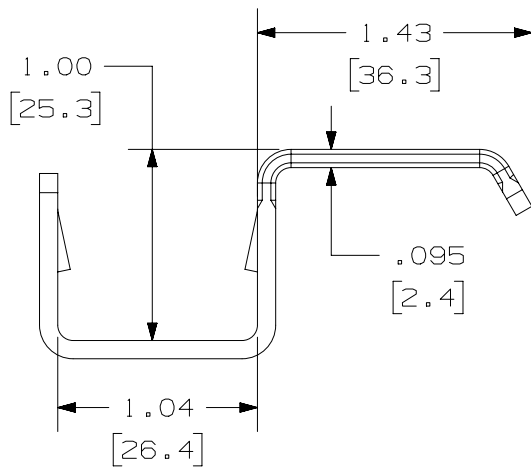
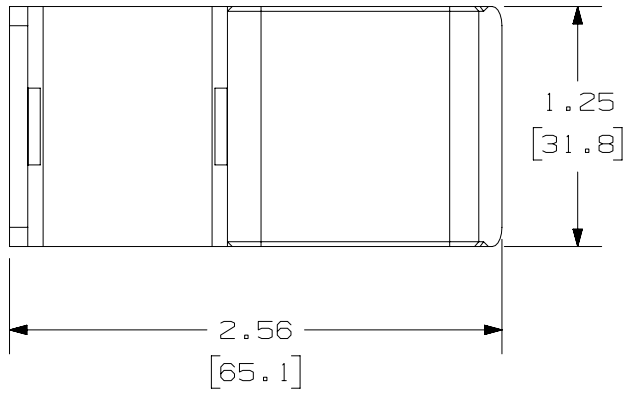


THIS COPY IS PROVIDED ON A RESTRICTED BASIS AND IS NOT TO BE USED IN ANY WAY DETRIMENTAL TO THE INTERESTS OF PANDUIT CORP.



PANDUIT P/N	MATERIAL	WEIGHT / PC
UCFG1-V316	316 STAINLESS STEEL	0.13 lbs [60.0 g]

NOTES:

1. PRIMARY DIMENSIONS ARE ENGLISH (in) DIMENSIONS IN [] METRIC (mm).
2. THIS PRODUCT INTENDED FOR USE WITH COMPOSITE FIBERGLASS LADDER CABLE TRAYS CONSTRUCTION WITH RUNG SIZE 1.00 [25.4] x 1.00 [25.4].

TITLE		FIBERGLASS RUNG BRACKET UCFG1-V316		
		CUSTOMER DRAWING		
ITEM REVISION NAME		00225NGJ/03		
DATASET FILE NAME		00225NGJ_DC/03A		
UNLESS OTHERWISE SPECIFIED, DIMENSIONAL TOLERANCES ARE: IN (mm)		PANDUIT		
.X ± .XX ±		.XXX ± ANGLES ±		
THIRD ANGLE PROJECTION		MATERIAL: 316 STAINLESS STEEL		
DRAWN BY JBN		DATE 11-06-17		DRAWING NUMBER: 00225NGJ-DC
REV	DATE	BY	CHK	APR
03A	07-20-18	JBN	ACC	JADE/RGRO
00A	11-06-17	JBN	ACC	RGRO
DESCRIPTION		ECN		
RELEASED TO PRODUCTION		036104		
DRAWING RELEASED				
SHT 1 OF 1		SIZE A		

N\GLOBAL_AS\SIZE

2

1

2

1