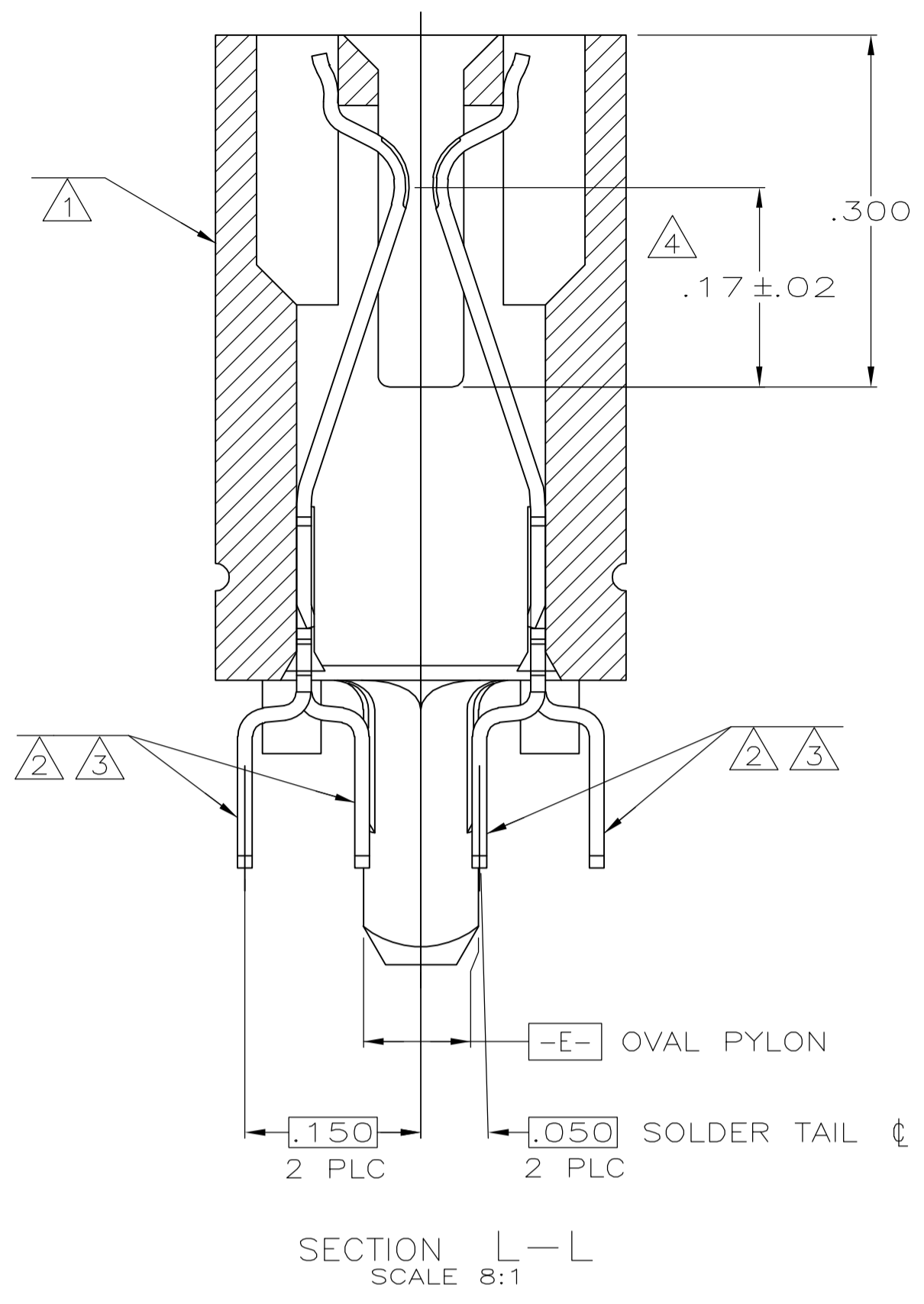
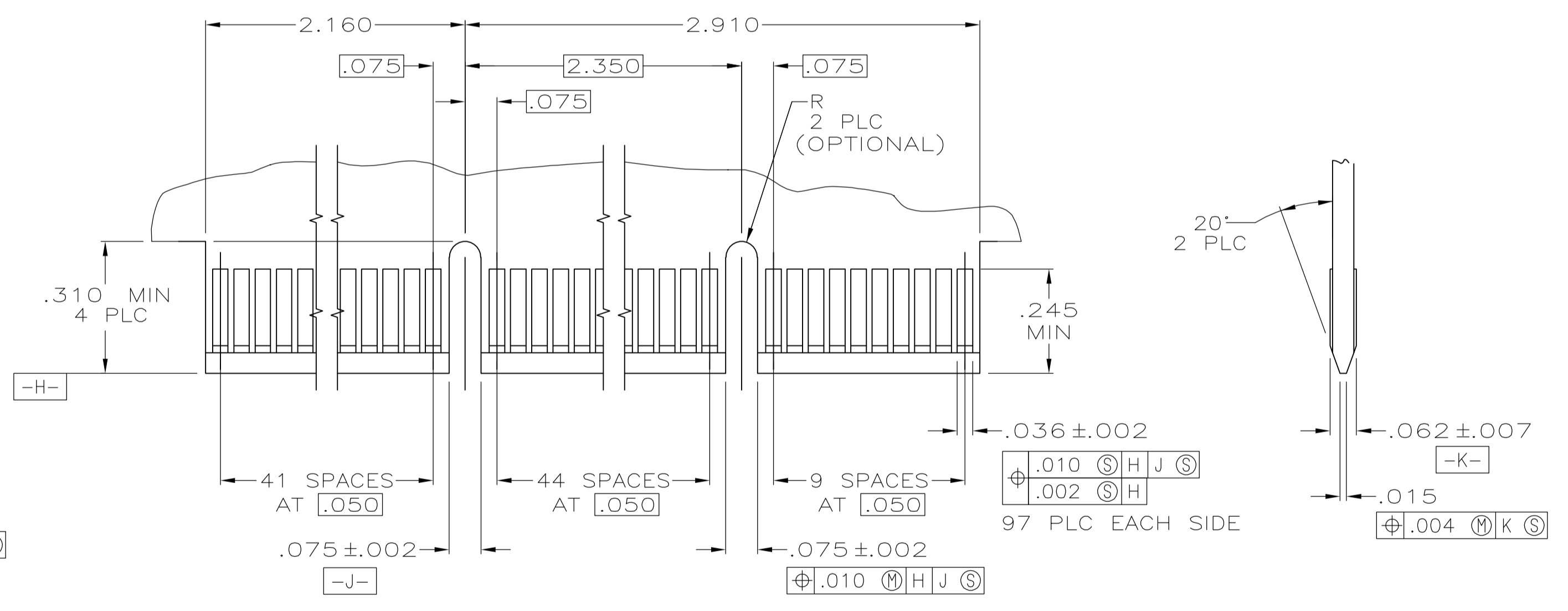


RECOMMENDED CONNECTOR MOUNTING HOLE PATTERN (CONNECTOR SIDE SHOWN)



- 1 HOUSING: POLYPHENYLENE SULFIDE.
- 2 CONTACT: PHOSPHOR BRONZE.
- 3 CONTACT FINISH: .000100 MIN NICKEL ALL OVER. .000043 MIN DURAGOLD OVER NICKEL IN CONTACT AREA. .000100 MIN MATTE TIN OVER NICKEL ON SOLDER TAILS.
- 4 DISTANCE FROM CONTACT POINT TO BOTTOM OF CARD SLOT.
- 5 AMP PART NUMBER, DATE CODE AND CSA LOGO MARKED IN APPROXIMATE AREA SHOWN.
- 6. THIS DRAWING IS RESTRICTED TO IBM CORPORATION AND IBM AUTHORIZED SUPPLIERS.



RECOMMENDED MATING BOARD EDGE CONFIGURATION

5650720-1
PART NUMBER

THIS DRAWING IS A CONTROLLED DOCUMENT.		DIN AL FRANTUM 05 AUG 05		Tyco Electronics Corporation	
DIMENSIONS: INCHES		TOLERANCES UNLESS OTHERWISE SPECIFIED:		Harrisburg, Pa 17105-3608	
0 PLC	± -	1 PLC	± .01	NAME: CONNECTOR ASSEMBLY, 97 DUAL POSITION, .050 SERIES, STANDARD EDGE	
1 PLC	± -	2 PLC	± .01	PRODUCT SPEC: 108-14034	
2 PLC	± .01	3 PLC	± .005	APPLICATION SPEC: 114-26012	
3 PLC	± .01	4 PLC	± .005	SIZE: A1	CAE CODE: 00779
4 PLC	± .01	ANGLES	± ± Z	DRAWING NO: C=5650720	RESTRICTED TO: -
MATERIAL	FINISH	WEIGHT		CUSTOMER DRAWING	SCALE: 4:1 SHEET: 1 OF 1 REV: 0