

Ratings

Voltage: 300 V
Temperature: -40~105 °C
Flammability: VW-1

Conductor

Conductor count: 8
Gauge: 20 AWG 0.52 mm²
Material: tinned copper strands
Strand size: \varnothing 0.127 mm x 41
Resistance at 20 °C: 36.7 Ω /km max

Insulator

Material: FEP
Color: red, black, white, yellow, blue, green, orange, purple
Diameter: \varnothing 1.25 \pm 0.10
Nominal thickness: 0.13 mm
Resistance at 20 °C: 10 M Ω /km min

Filler

Material: aramid fiber

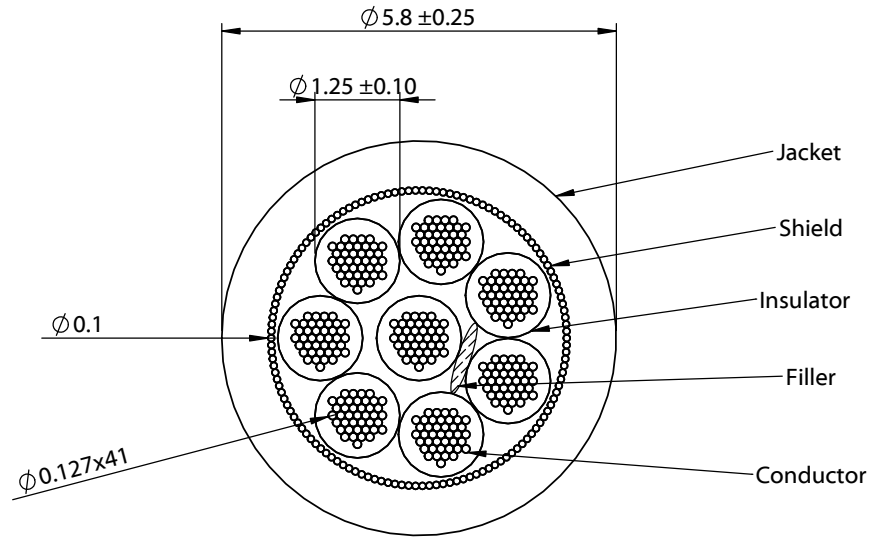
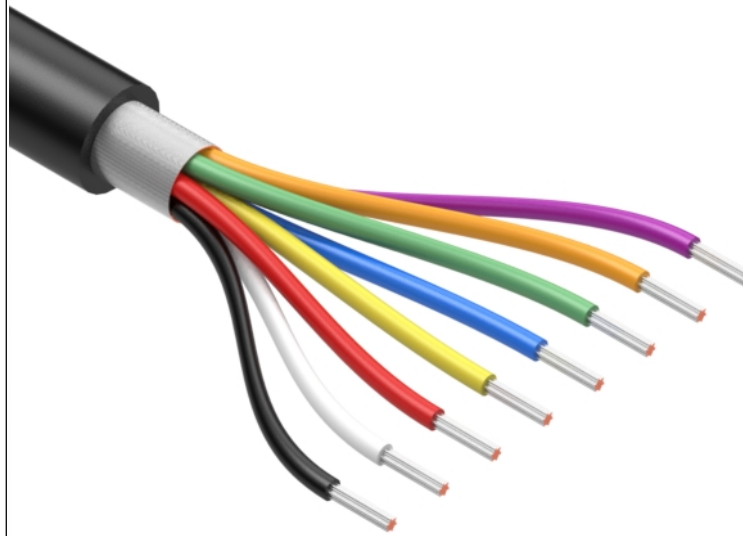
Shield

Material: tinned copper strands
Strand size: \varnothing 0.1 mm, 85% min coverage

Outer jacket

Material: TPE, 78A
Color: black, matte
Diameter: \varnothing 5.8 \pm 0.25
Nominal thickness: 0.6 mm

Wire marking: E339579 UL AWM STYLE 21296 20 AWG 105°C
300V VW-1 --- cUL AWM I A 105°C 300V FT1 TENSILITY DGT



Revision:	Date:	Description:
A	10/27/2021	Initial release

Prepared: PB
Digitally signed by PB
Date: 2021.11.01
09:03:22 -0700'

Verified: JD
Digitally signed by JD
Date: 2021.11.02
16:30:25 -0700'

Dimensions are in millimeters.
Tolerances:
X: \pm 0.5 mm
X.X: \pm 0.3 mm
X.XX: \pm 0.05 mm

Notes:
RoHS compliant
Phthalate free
Function test: no open, no short circuit, no intermittent

Description:
Wire, 8C TS, 20 AWG, UL 21296, 300V, 105C, 5.8 mm, shielded, VW-1, TPE

TENSILITY

tel 1.541.323.3228 800 877.670.7118
fax 1.541.323.4202 web tensility.com

Size: A Part number: 30-02459

Scale: 9:1 Sheet 1 of 1