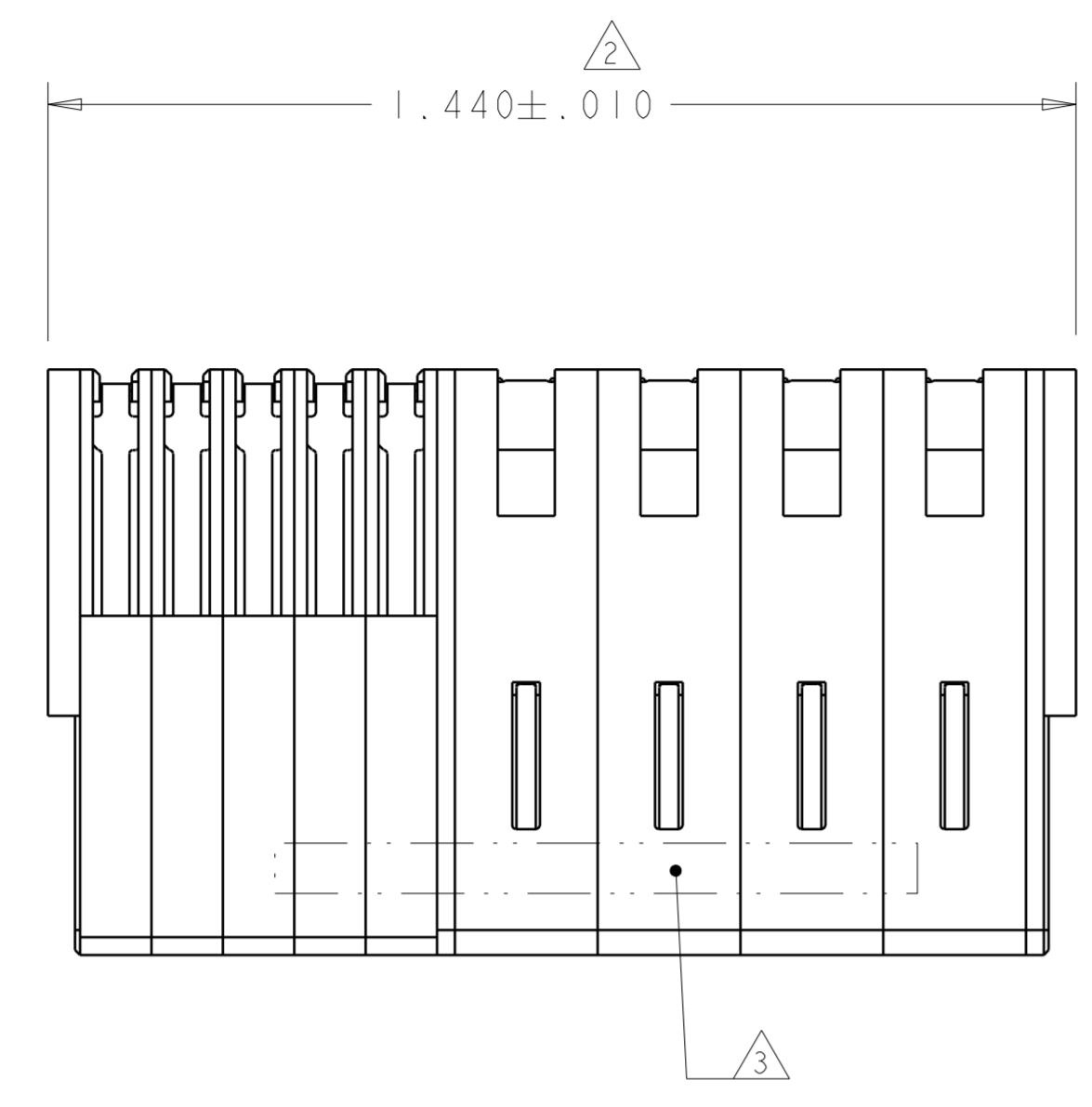
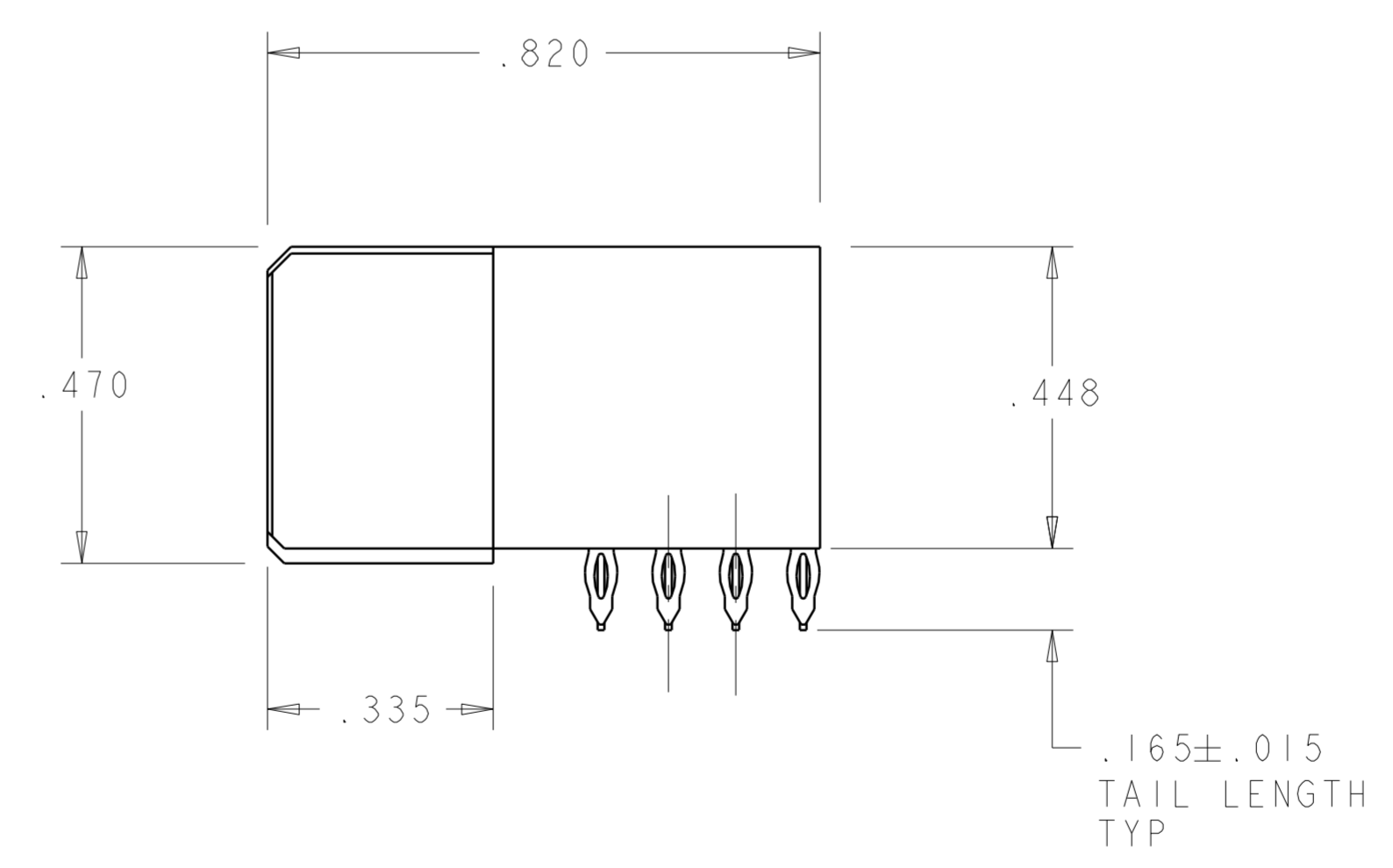
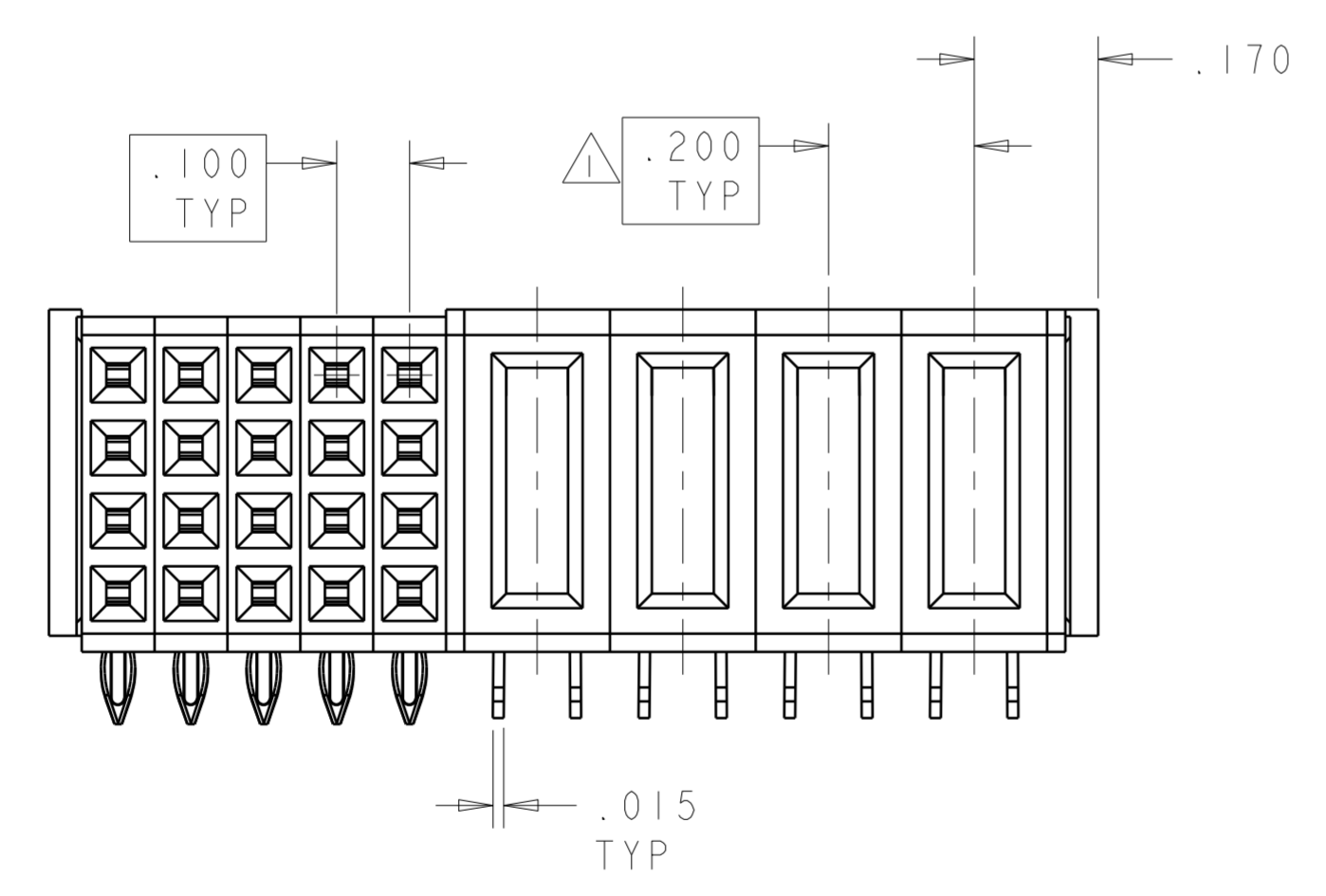


THIS DRAWING IS UNPUBLISHED. RELEASED FOR PUBLICATION 20
 © COPYRIGHT 20 BY TYCO ELECTRONICS CORPORATION. ALL RIGHTS RESERVED.

LOC	DIST	REVISIONS				
ES	00	REV	DESCRIPTION	DATE	DWN	APVD
		B	REV PER ECO-05-015972	12DEC2005	SZ	SY



- ① DIM IS CENTERLINE SPACING OF POWER MODULES ON RIGHT SIDE OF HOUSING.
- ② THE MAXIMUM OVERALL LENGTH OF A PART IS 8.00.
- ③ PART NUMBER, AND DATE CODE MARKED IN AREA SHOWN. MARKING ON BOTH SIDES PERMITTED FOR PARTS UNDER 2.00 LONG.
- ④ MATERIAL:
 HOUSING - GLASS FILLED HIGH TEMP THERMO PLASTIC, UL94 V-0
 SIGNAL CONTACT - HIGH CONDUCTIVITY COPPER ALLOY
 POWER CONTACT - HIGH CONDUCTIVITY COPPER ALLOY
- ⑤ CONTACT PLATING:
 SIGNAL CONTACTS - .000050 - .000100 Ni UNDER ALL.
 .000030 MIN Au ON CONTACT AREA.
 .000100 - .000200 Sn AT PCB INTERFACE.
 POWER CONTACTS - .000050 - .000100 Ni UNDER ALL.
 .000030 MIN Au ON CONTACT AREA.
 .000100 - .000200 Sn AT PCB INTERFACE.
- ⑥ MECHANICAL CONNECTOR KEEP OUT ZONE.
- ⑦ DATUM AND BASIC DIMENSIONS ESTABLISHED BY CUSTOMER.
- ⑧ PCB - ALL HOLE DIAMETERS ARE FINISHED HOLE SIZES.
- ⑨ PCB - .0453 ± .0010 DRILLED HOLES PLATED WITH .0003 MIN Sn. OVER .001 TO .003 Cu PLATING TO ACHIEVE A .040 HOLE.



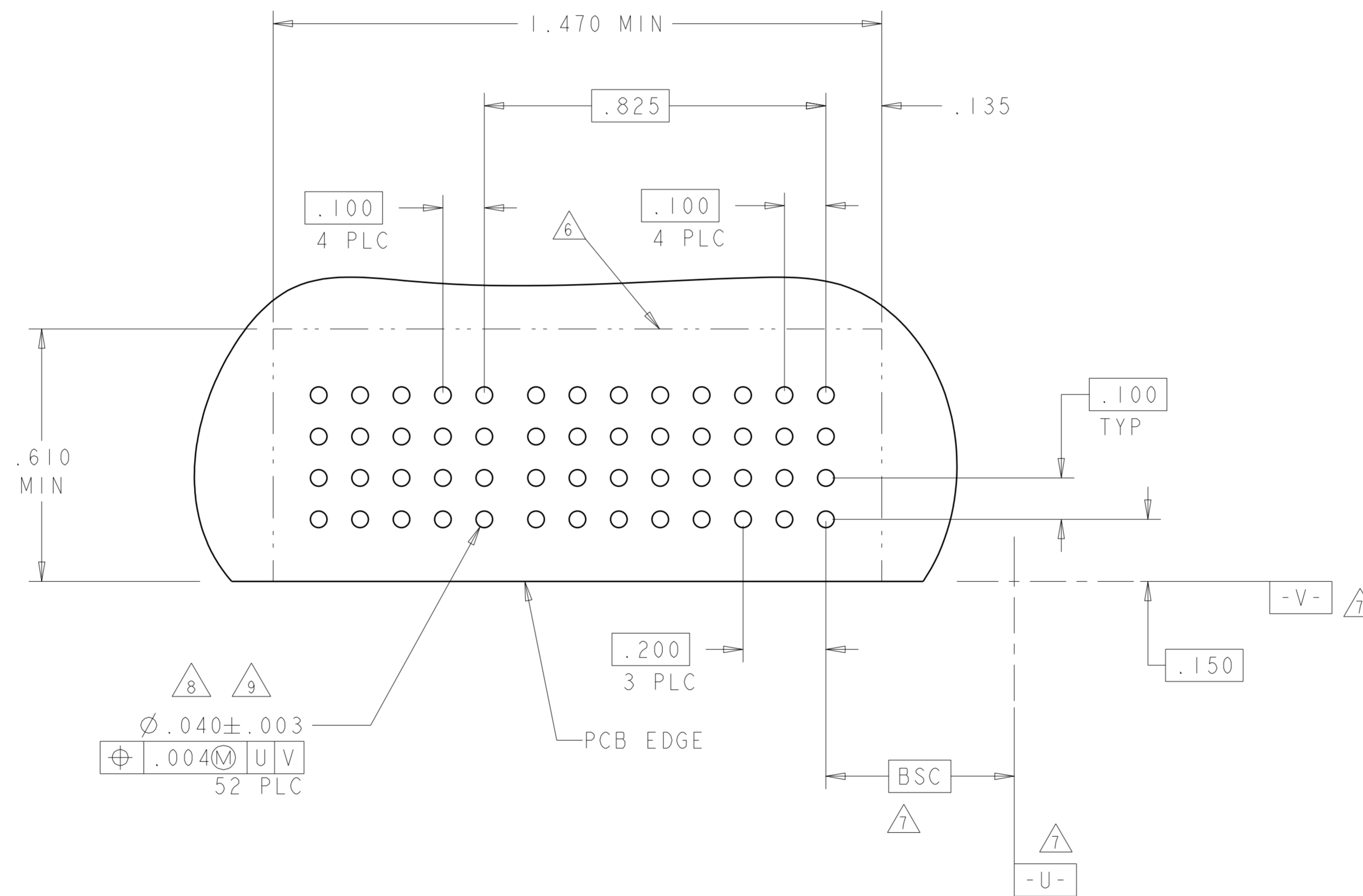
4HDP + 20S	6450566-1
DESCRIPTION	PART NUMBER

THIS DRAWING IS A CONTROLLED DOCUMENT FOR TYCO ELECTRONICS CORPORATION IT IS SUBJECT TO CHANGE AND THE CONTROLLING ENGINEERING DEPARTMENT SHOULD BE CONTACTED FOR THE LATEST REVISION.		DWN: 12DEC2005 S. ZHAO CHK: 12DEC2005 G. ZHANG APVD: 16DEC2005 S. YAO	NAME: AMP, Incorporated Shanghai, P.R. China, 200233 tyco Electronics
DIMENSIONS: INCHES 	TOLEANCES UNLESS OTHERWISE SPECIFIED: 0 PLC ±0 1 PLC ±0.1 2 PLC ±0.01 3 PLC ±0.005 4 PLC ±0.002 ANGLES ±0°	PRODUCT SPEC: 108-1973 APPLICATION SPEC: 114-13038 WEIGHT: -	SIZE: A CASE CODE: 00779 DRAWING NO: C=6450566 RESTRICTED TO: -
MATERIAL: ④	FINISH: ⑤	CUSTOMER DRAWING	
SCALE: 4:1		SHEET: 1	OF: 2
		REV: B	

LOC	DIST	REVISIONS					
ES	00	PT	LTR	DESCRIPTION	DATE	DWN	APVD
				SEE SHEET 1			

PART NUMBER	ROWS	SIGNAL					POWER			
		5	4	3	2	1	P4	P3	P2	P1
6450566-1	D	DD	DD	DD	DD	DD				
	C	CC	CC	CC	CC	CC	RK	RK	RK	RK
	B	BB	BB	BB	BB	BB				
	A	AA	AA	AA	AA	AA				

4HDP + 20S



MATING SEQUENCE	QTY	DESCRIPTION	IDENTIFIER
1		HOUSING, RIGHT ANGLE RECEPTACLE, MULTI-BEAM XL	HOUSING
5		RECEPT. SIGNAL CONTACT, EYE OF THE NEEDLE, ROW D	DD
5		RECEPT. SIGNAL CONTACT, EYE OF THE NEEDLE, ROW C	CC
5		RECEPT. SIGNAL CONTACT, EYE OF THE NEEDLE, ROW B	BB
5		RECEPT. SIGNAL CONTACT, EYE OF THE NEEDLE, ROW A	AA
4		RCPT POWER CONTACT, R/A, MFBL, MB XL, EYE OF THE NEEDLE	RK

DIMENSIONS: INCHES 		TO DIMENSIONS UNLESS OTHERWISE SPECIFIED: 0 PLC ± 0 1 PLC ± 0.1 2 PLC ± 0.01 3 PLC ± 0.005 4 PLC ± 0.002 ANGLES $\pm 30^\circ$		DWN 12DEC2005 S. ZHAO CHK G. ZHANG 12DEC2005 APVD S. YAO 16DEC2005 NAME PRODUCT SPEC 108-1973 APPLICATION SPEC 114-13038 WEIGHT RESTRICTED TO		AMP, Incorporated Shanghai, P.R. China, 200233 RIGHT ANGLE RECEPTACLE ASSEMBLY MULTI-BEAM XL, PWR-SIG, NO GUIDE PRESS FIT LEGS SIZE CADE CODE DRAWING NO A1 00779 C=6450566 SCALE 4:1 SHEET 2 OF 2 REV B	
MATERIAL: - FINISH: - CUSTOMER DRAWING							