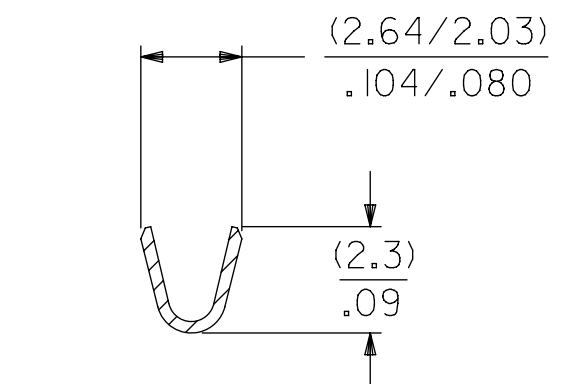
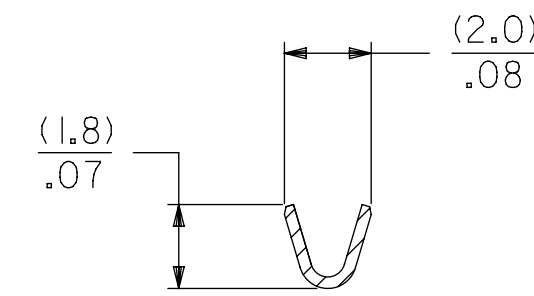
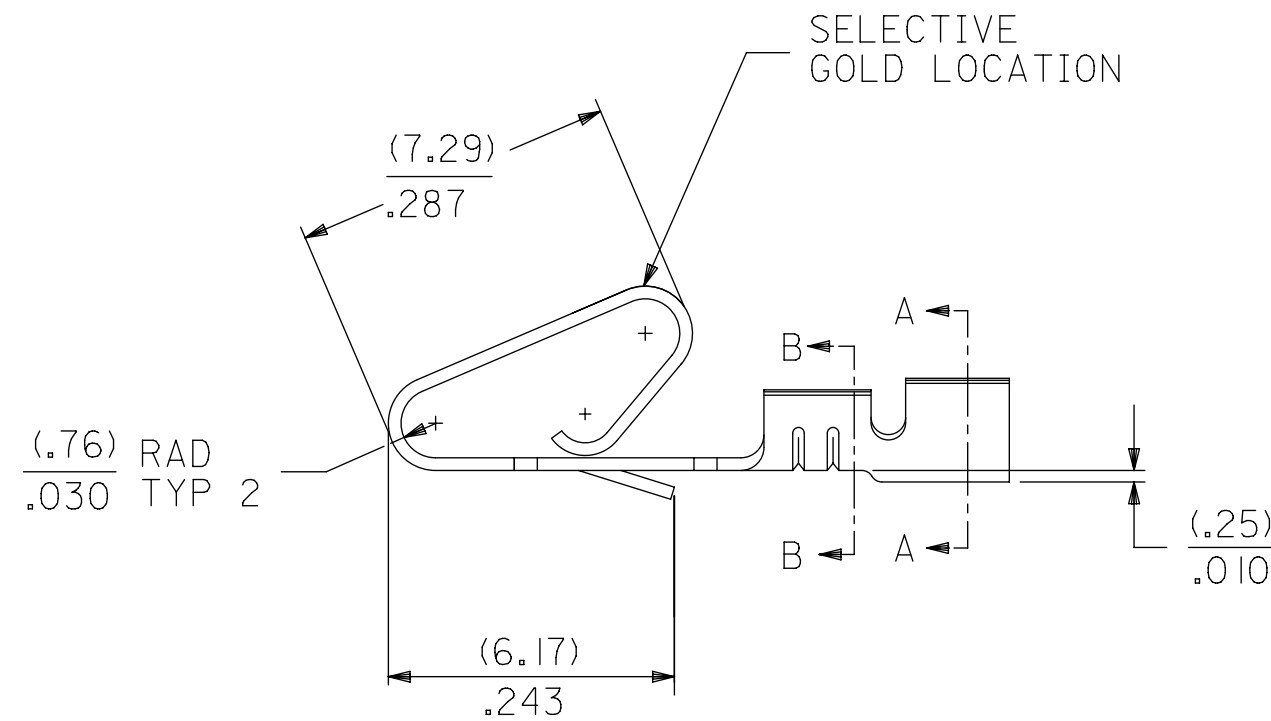
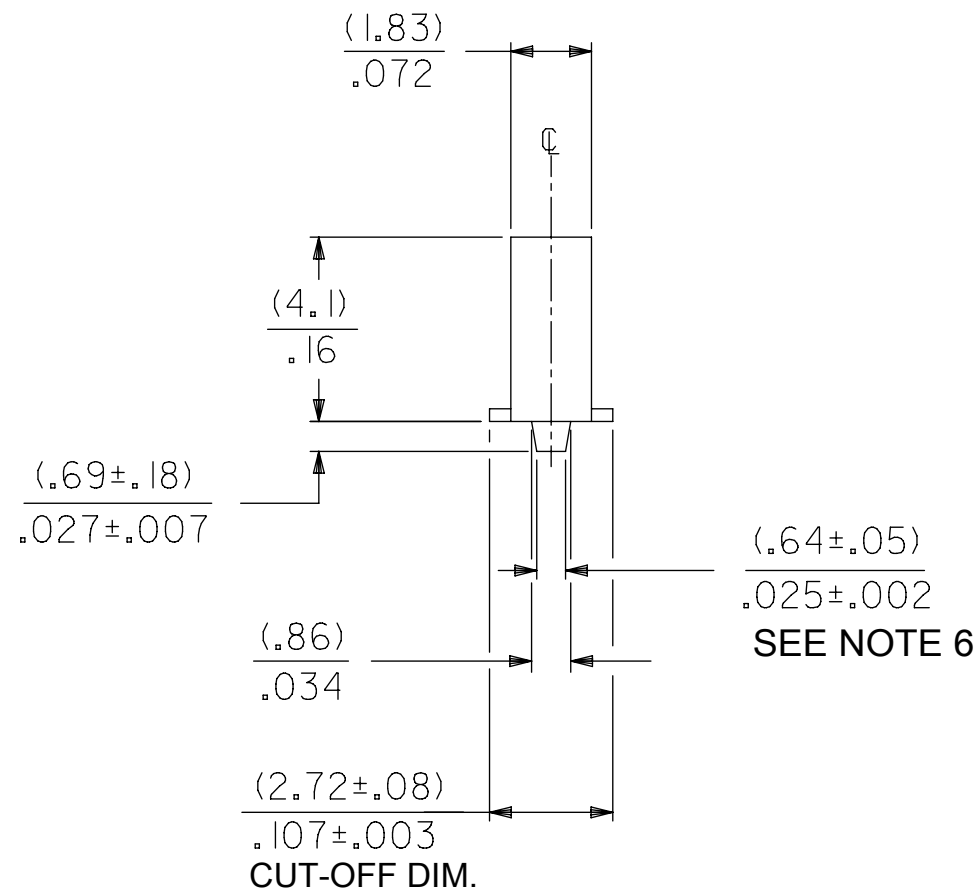


2578 - * - * * *
 MATERIAL CODE
 (.28)/.0106 THK
 BLANK=BRASS
 B=PHOS BRONZE
 WINDING SPEC.
 A=CHAIN, PER WINDING DETAIL "A"
 BLANK=CHAIN, PER WINDING DETAIL "B"
 L=LOOSE
 PLATING CODE
 (PER SDES-88)

OPTIONS
 BLANK=AS SHOWN
 1 = WITH CAT EARS

- (122) - OVERALL TIN: (0.00381)/.000150 MIN.
OVER (0.00076)/.000030 MIN. NICKEL
- (154) - OVERALL TIN (0.00254)/.000100 MIN.
OVER (0.00127)/.000050 MIN. NICKEL
- (224) - OVERALL MATTE TIN: (0.00508)/.000200 MIN.
OVER (0.00127)/.000050 MIN. NICKEL
- (550) - SELECT GOLD: (0.00038)/.000015 MIN.
OVERALL GOLD FLASH: (0.00005)/.000002 MIN.
OVERALL NICKEL UNDERPLATE: (0.00076)/.000030 MIN.
- (555) - SELECT GOLD: (0.00038)/.000015 MIN.
OVERALL NICKEL UNDERPLATE: (0.00076)/.000030 MIN.
- (558) - SELECT GOLD: (0.00076)/.000030 MIN.
OVERALL GOLD FLASH: (0.00005)/.000002 MIN.
OVERALL NICKEL UNDERPLATE: (0.00127)/.000050 MIN.
- (P909) - OVERALL HOT TIN DIP: (0.00254)/.000100 MIN

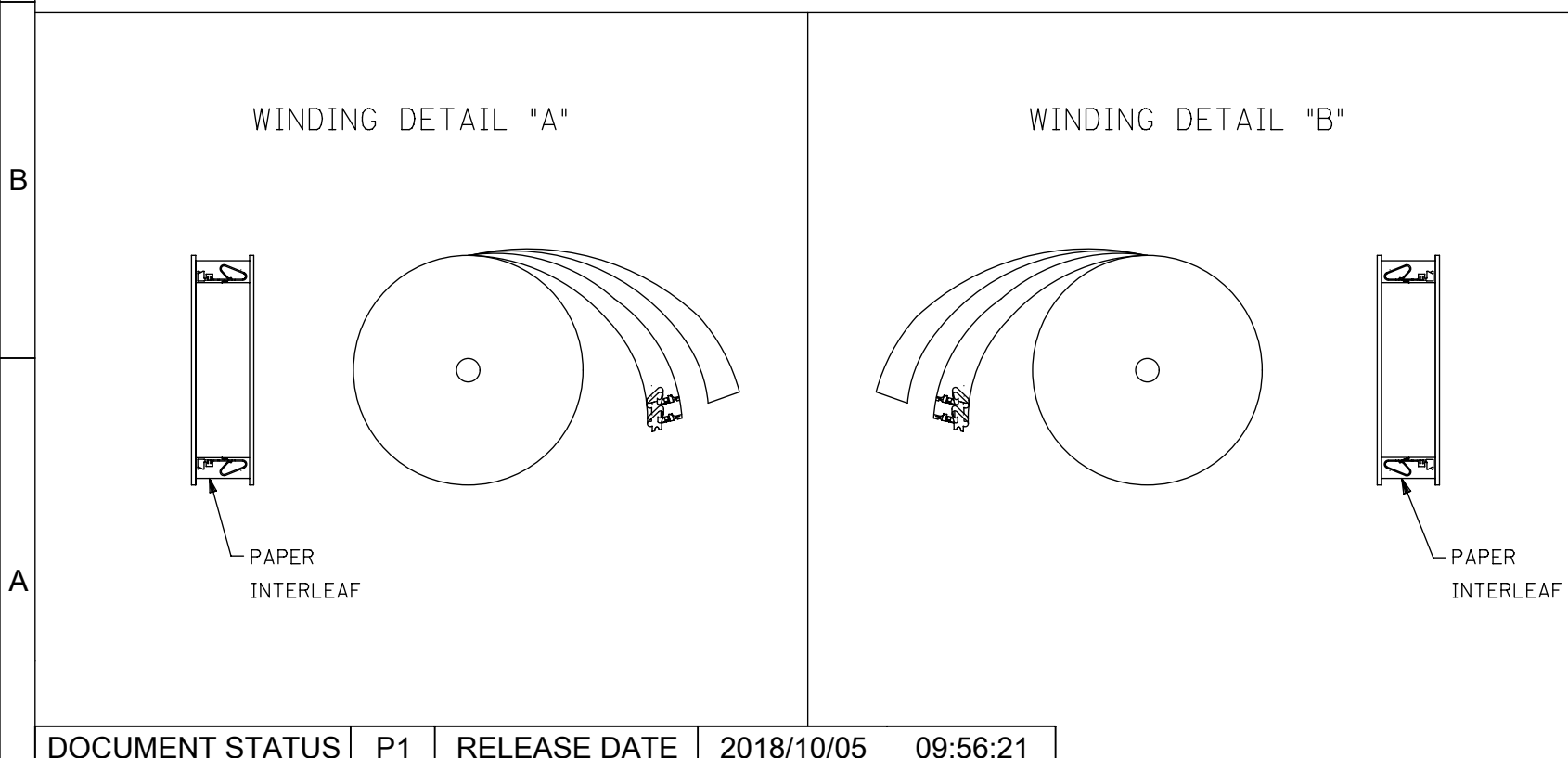
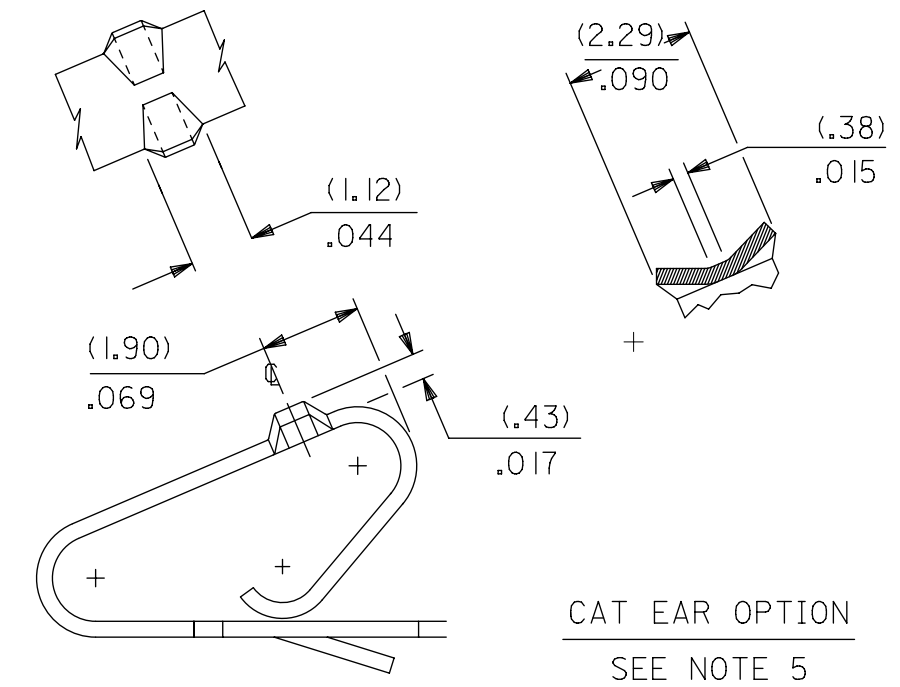


1. MATERIAL: SEE LEGEND
2. FINISH: SEE LEGEND
3. PRODUCT SPECIFICATION: PS-08-50
PACKAGING SPECIFICATION: LOOSE TERMINALS PER PK-2759-001
CHAIN FORM TERMINALS PER PK-2759-002
4. CRIMP ACCEPTS 22 TO 26 GA. WIRE WITH (1.65)/0.65 MAX INSULATION DIA
5. DIMENSIONS GIVEN ACROSS CENTERLINES ARE SYMMETRICAL ABOUT THOSE CENTERLINES WITHIN HALF THE TOTAL TOLERANCE
6. OPTIONAL DESIGN (.86±.05)/.034±.002
7. THIS PART CONFORMS TO CLASS B REQUIREMENTS OF COSMETIC SPECIFICATION PS-45499-002

THIS DRAWING CONTAINS INFORMATION THAT IS PROPRIETARY TO MOLEX ELECTRONIC TECHNOLOGIES, LLC AND SHOULD NOT BE USED WITHOUT WRITTEN PERMISSION									
SYMBOLS		DIMENSION UNITS		SCALE		CURRENT REV DESC: NOTE 3 UPDATED			
▽ = 0	▽ = 0	MM/IN	1:1			EC NO: 605479 DRWN: SS06 2018/09/11 CHK'D: ISHWARG 2018/10/05 APPR: ISHWARG 2018/10/05 INITIAL REVISION: DRWN: PEREZ/AR 1987/01/29 APPR: FSMITH 2014/04/21			
▽ = 0	▽ = 0	GENERAL TOLERANCES (UNLESS SPECIFIED)							
▽ = 0	▽ = 0	MM	INCH						
▽ = 0	▽ = 0	4 PLACES	±	±		PRODUCT CUSTOMER DRAWING DOCUMENT NUMBER: SD-2578 DOC TYPE: PSD DOC PART: 001 REVISION: Y1			
▽ = 0	▽ = 0	3 PLACES	±	±	0.01				
▽ = 0	▽ = 0	2 PLACES	±	0.25	±				
▽ = 0	▽ = 0	1 PLACE	±	0.36	±	MATERIAL NUMBER: SEE CHART CUSTOMER: GENERAL MARKET SHEET NUMBER: 1 OF 2			
▽ = 0	▽ = 0	0 PLACES	±	±					
▽ = 0	▽ = 0	ANGULAR TOL	±	0.5°					
▽ = 0	▽ = 0	DRAFT WHERE APPLICABLE MUST REMAIN WITHIN DIMENSIONS		THIRD ANGLE PROJECTION		DRAWING	SERIES		
				C-SIZE		2578			

2578-(***)*	
PART NO.	ENG. NO.
08-50-0107	2578-(P909)
08-50-0108	2578-(P909)L
08-50-0111	2578-(154)
08-50-0112	2578-(154)L
08-56-0107	2578-(550)
08-56-0108	2578-(550)L
08-55-0105	2578-(555)
08-55-0106	2578-(555)L
08-50-0061	2578-(224)
08-50-0062	2578-(224)L
08-55-0137	2578-(558)A
08-55-0123	2578-(558)

2578-B-(***)*	
PART NO.	ENG. NO.
08-50-0133	2578-B-(P909)
08-50-0134	2578-B-(P909)L
08-65-0116	2578-B-(555)
08-65-0117	2578-B-(555)L
08-60-0003	2578-B-(122)
08-60-0004	2578-B-(122)L
08-65-0110	2578-B-(558)
08-65-0111	2578-B-(558)L
08-58-0125	2578-B-(550)
08-58-0126	2578-B-(550)L



SYMBOLS	THIS DRAWING CONTAINS INFORMATION THAT IS PROPRIETARY TO MOLEX ELECTRONIC TECHNOLOGIES, LLC AND SHOULD NOT BE USED WITHOUT WRITTEN PERMISSION			
	DIMENSION UNITS	SCALE		CURRENT REV DESC: NOTE 3 UPDATED
▽ = 0	MM/IN	1:1		EC NO: 605479 DRWN: SS06 2018/09/11 CHK'D: ISHWARG 2018/10/05 APPR: ISHWARG 2018/10/05
▽ = 0	GENERAL TOLERANCES (UNLESS SPECIFIED)			
▽ = 0		MM	INCH	INITIAL REVISION: DRWN: PEREZ/AR 1987/01/29 APPR: FSMITH 2014/04/21
▽ = 0	4 PLACES	±	±	
▽ = 0	3 PLACES	±	± 0.01	1987/01/29 2014/04/21
▽ = 0	2 PLACES	± 0.25	± 0.014	
▽ = 0	1 PLACE	± 0.36	±	SERIES 2578
▽ = 0	0 PLACES	±	±	
▽ = 0	ANGULAR TOL	± 0.5 °		MATERIAL NUMBER SEE CHART
▽ = 0	DRAFT WHERE APPLICABLE MUST REMAIN WITHIN DIMENSIONS			
▽ = 0	THIRD ANGLE PROJECTION		DRAWING	CUSTOMER
▽ = 0	C-SIZE		SHEET NUMBER	GENERAL MARKET

molex

CRIMP TERMINAL
(3.96) .156 CENTERS 22 TO 26 GA WIRE

PRODUCT CUSTOMER DRAWING

DOCUMENT NUMBER: SD-2578
DOC TYPE: PSD
DOC PART: 001
REVISION: Y1

DOCUMENT STATUS: P1
RELEASE DATE: 2018/10/05 09:56:21