

4 MHz 2A Synchronous Buck Regulator with Programmable Frequency

Features

- Input Voltage Range: 2.6V to 5.5V
- Output Voltage Adjustable Down to 0.7V
- Output Load Current Up to 2A
- Full Sequencing and Tracking Ability
- Easy RC Compensation
- Power-on-Reset (POR) Output
- Efficiency >90% Across a Broad Load Range
- Operating frequency: Programmable from 800 kHz up to 4 MHz
- Ultra-Fast Transient Response
- 100% Maximum Duty Cycle
- Fully Integrated MOSFET Switches
- Micropower Shutdown
- Thermal Shutdown and Current-Limit Protection
- Available in 12-Pin 3 mm x 3 mm DFN
- -40°C to +125°C Junction Temperature Range

Applications

- High Power Density Point-of-Load Conversion
- Servers and Routers
- DVD Recorders and Multimedia Players
- Computing Peripherals
- Base Stations
- FPGAs, DSP, and Low Voltage ASIC Devices

General Description

The MIC22200 is a high-efficiency, 2A integrated switch synchronous buck (step-down) regulator. The MIC22200 switching frequency is programmable from 800 kHz to 4 MHz, allowing the customer to optimize their designs either for efficiency or for the smallest footprint. The regulator achieves efficiencies as high as 95% while still switching at 1 MHz over a broad load range.

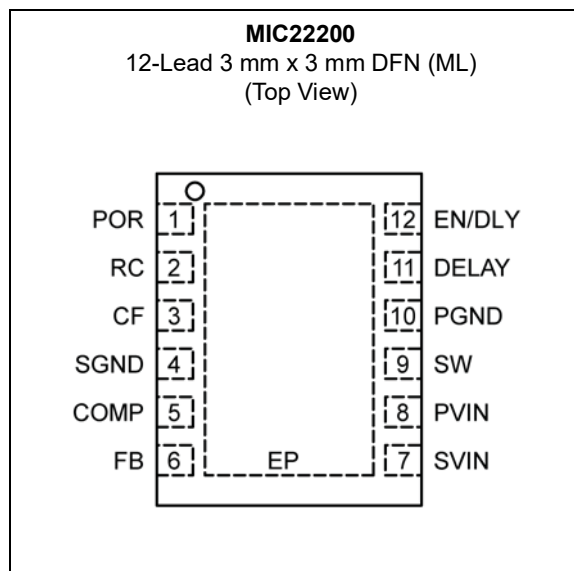
The ultra high-speed control loops keep the output voltage within regulation even under the extreme transient load swings commonly found in FPGAs and low voltage ASICs.

The output voltage can be adjusted down to 0.7V to address all low voltage power needs.

The MIC22200 offers a full range of sequencing and tracking options. The EN/DLY pin, combined with the Power-On-Reset (POR) pin, allows multiple outputs to be sequenced in many ways during turn on and turn off. The RC (ramp control) pin allows the device to be connected to another device in the MIC22X00 family of products to keep the output voltages within a certain ΔV on start up.

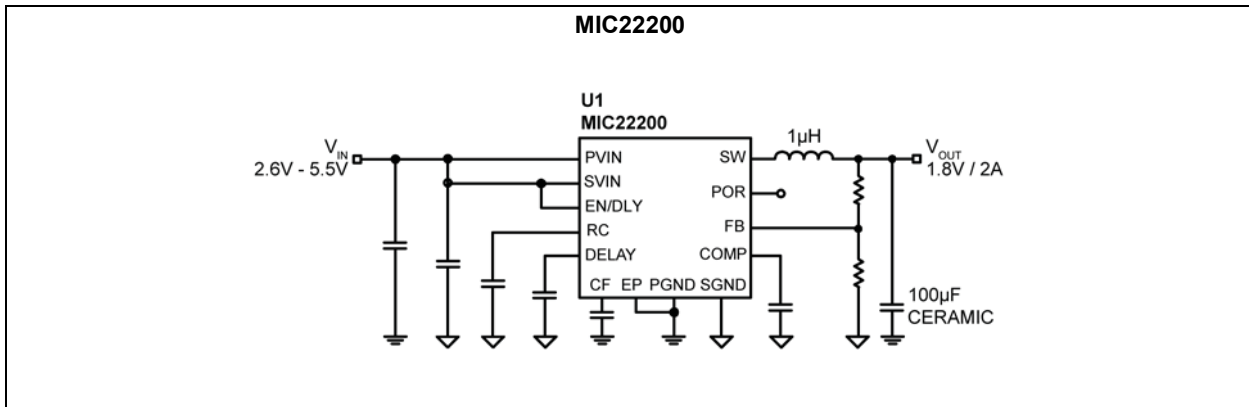
The MIC22200 is available in a 12-pin 3 mm x 3 mm DFN with a junction operating range from -40°C to +125°C.

Package Type

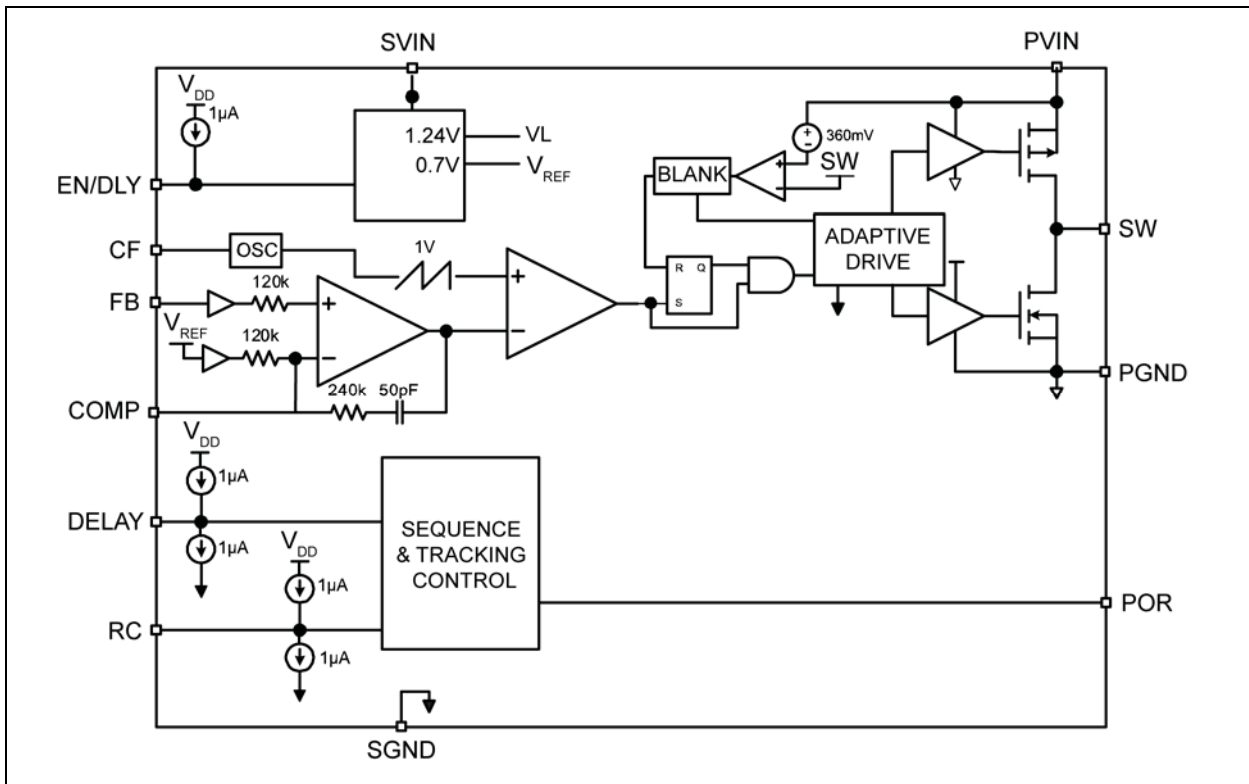


MIC22200

Typical Application Circuit



Functional Block Diagram



1.0 ELECTRICAL CHARACTERISTICS

Absolute Maximum Ratings †

Supply Voltage (V_{IN} , SV_{IN}).....	+6V
Output Switch (SW)	+6V
Logic Input Voltage (EN/DLY, POR, DELA μ Y).....	-0.3V to V_{IN}
Control Voltage (CF, RC, COMP, FB).....	-0.3V to V_{IN}
Storage Temperature (T_S).....	-65°C to +150°C
ESD Rating (Note 1)	2 kV
Lead Temperature (Soldering 10 sec.).....	260°C

Operating Ratings ††

Supply Voltage (V_{IN})	+2.6V to +5.5V
Junction Temperature (T_J).....	-40°C $\leq T_J \leq$ +125°C
Thermal Resistance 3x3 DFN-12 (θ_{JA}).....	40°C/W

† **Notice:** Stresses above those listed under “Absolute Maximum Ratings” may cause permanent damage to the device. This is a stress rating only and functional operation of the device at those or any other conditions above those indicated in the operational sections of this specification is not intended. Exposure to maximum rating conditions for extended periods may affect device reliability.

†† **Notice:** The device is not guaranteed to function outside its operating ratings.

Note 1: Devices are ESD sensitive. Handling precautions recommended.

ELECTRICAL CHARACTERISTICS

Electrical Characteristics: $T_A = +25^\circ\text{C}$ with $V_{IN} = V_{EN} = 3.3\text{V}$, unless otherwise specified. **Bold** values indicate $-40^\circ\text{C} \leq T_J \leq +125^\circ\text{C}$. [Note 1](#)

Parameter	Symbol	Min.	Typ.	Max.	Units	Conditions
Supply Voltage Range	V_{IN}	2.6	—	5.5	V	—
Under-Voltage Lockout Threshold	UVLO	2.4	2.5	2.6	V	Turn-On
UVLO Hysteresis	UVLO _{HYS}	—	280	—	mV	—
Quiescent Current, PWM Mode	I_{Q_PWM}	—	1.2	2	mA	$V_{EN} \geq 1.34\text{V}$; $V_{FB} = 0.9\text{V}$
Shutdown Current	I_{SHDN}	—	3.7	10	μA	$V_{EN} = 0\text{V}$
Feedback Voltage	V_{FB}	0.686	0.7	0.714	V	$\pm 2\%$ (over temperature)
Oscillator Frequency	f_{SW}	0.8	1	1.2	MHz	—
FB Pin Input Current	I_{FB}	—	1	—	nA	—
Current Limit	I_{LIM}	2	5.5	8	A	$V_{FB} = 0.9 \cdot V_{NOM}$
Output Voltage Line Regulation	—	—	0.2	—	%	$V_{IN} = 2.6$ to 5.5V
Output Voltage Load Regulation	—	—	0.2	—	%	$100\text{ mA} < I_{LOAD} < 2\text{A}$, $V_{IN} = 3.3\text{V}$
Maximum Duty Cycle	D_{MAX}	100	—	—	%	$V_{FB} \leq 0.5\text{V}$
Switch ON-Resistance PFET	R_{ON_PFET}	—	0.18	—	Ω	$I_{SW} = 1000\text{ mA}$; $V_{FB} = 0.5\text{V}$
Switch ON-Resistance NFET	R_{ON_NFET}	—	0.10	—	Ω	$I_{SW} = -1000\text{ mA}$; $V_{FB} = 0.9\text{V}$
EN/DLY Threshold Voltage	—	1.14	1.24	1.34	V	$V_{IN} = 3.3\text{V}$
EN/DLY Hysteresis	—	—	12	—	mV	—

Note 1: Specification for packaged product only.

ELECTRICAL CHARACTERISTICS (CONTINUED)

Electrical Characteristics: $T_A = +25^\circ\text{C}$ with $V_{IN} = V_{EN} = 3.3\text{V}$, unless otherwise specified. **Bold** values indicate $-40^\circ\text{C} \leq T_J \leq +125^\circ\text{C}$. [Note 1](#)

Parameter	Symbol	Min.	Typ.	Max.	Units	Conditions
DELAY Threshold Voltage	—	1.14	1.24	1.34	V	$V_{IN} = 3.3\text{V}$
DELAY Hysteresis	—	—	6	—	mV	—
EN/DLY Source Current	$I_{EN/DLY}$	0.6	1	1.8	μA	$V_{IN} = 2.6\text{V to } 5.5\text{V}$
RC Source Current	I_{RC}	0.5	1	1.7	μA	Ramp Control Current
POR $I_{PG(LEAK)}$	I_{PG}	—	—	1 2	μA	$V_{PORH} = 5.5\text{V}$; POR = High
POR $V_{PG(LO)}$	$V_{PG(LO)}$	—	135	—	mV	Output Logic-Low Voltage (undervoltage condition), $I_{POR} = 5\text{ mA}$
POR VPG	V_{PG}	7.5	10	12.5	%	Threshold, % of V_{OUT} below nominal
			1	—	%	Hysteresis
Overtemperature Shutdown	T_{SD}	—	160	—	$^\circ\text{C}$	—
Overtemperature Shutdown Hysteresis	T_{SDHYS}	—	25	—	$^\circ\text{C}$	—

Note 1: Specification for packaged product only.

TEMPERATURE SPECIFICATIONS

Parameters	Symbol	Min.	Typ.	Max.	Units	Conditions
Temperature Ranges						
Junction Temperature Range	T_J	-40	—	+125	$^\circ\text{C}$	—
Storage Temperature Range	T_S	-65	—	+150	$^\circ\text{C}$	—
Lead Temperature	—	—	+260	—	$^\circ\text{C}$	Soldering, 10 sec.
Package Thermal Resistance						
Thermal Resistance, DFN 12-Lead	θ_{JA}	—	40	—	$^\circ\text{C/W}$	—

Note 1: The maximum allowable power dissipation is a function of ambient temperature, the maximum allowable junction temperature and the thermal resistance from junction to air (i.e., T_A , T_J , θ_{JA}). Exceeding the maximum allowable power dissipation will cause the device operating junction temperature to exceed the maximum $+125^\circ\text{C}$ rating. Sustained junction temperatures above $+125^\circ\text{C}$ can impact the device reliability.

2.0 TYPICAL PERFORMANCE CURVES

Note: The graphs and tables provided following this note are a statistical summary based on a limited number of samples and are provided for informational purposes only. The performance characteristics listed herein are not tested or guaranteed. In some graphs or tables, the data presented may be outside the specified operating range (e.g., outside specified power supply range) and therefore outside the warranted range.

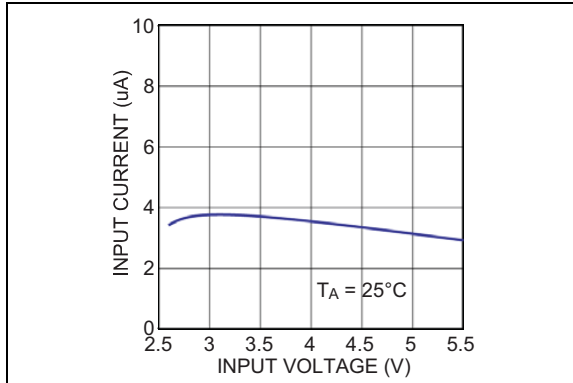


FIGURE 2-1: Shutdown Current vs. Input Voltage.

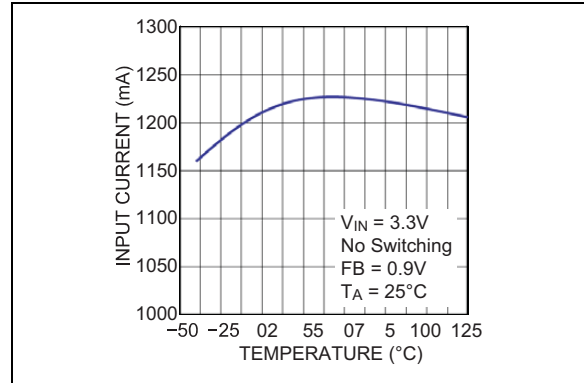


FIGURE 2-4: Quiescent Current vs. Temperature.

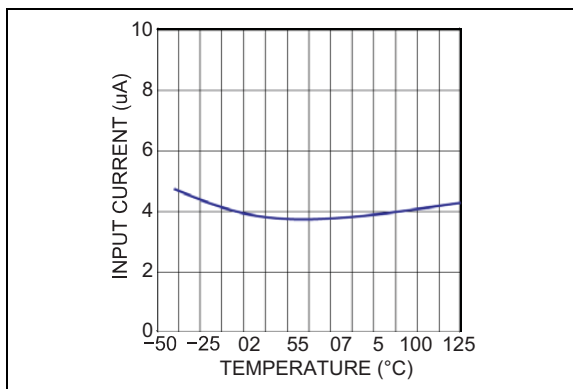


FIGURE 2-2: Shutdown Current vs. Temperature.

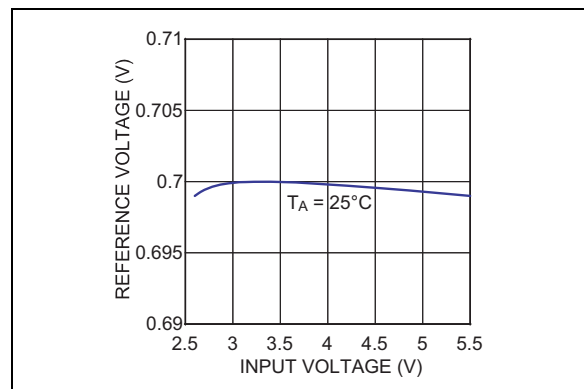


FIGURE 2-5: Reference Voltage vs. Input Voltage.

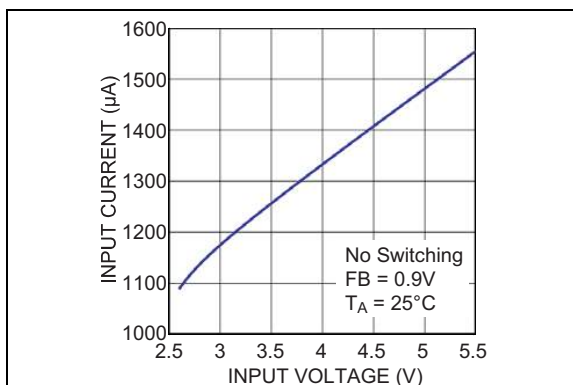


FIGURE 2-3: Quiescent Current vs. Input Voltage.

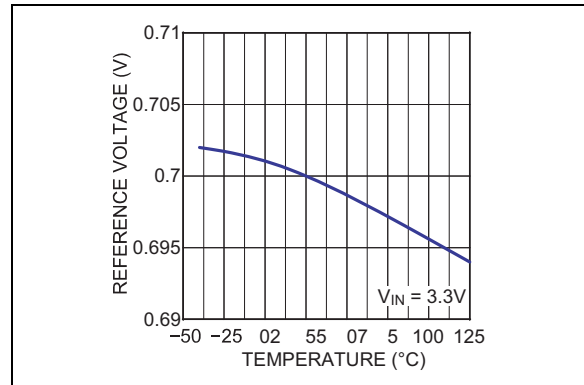


FIGURE 2-6: Reference Voltage vs. Temperature.

MIC22200

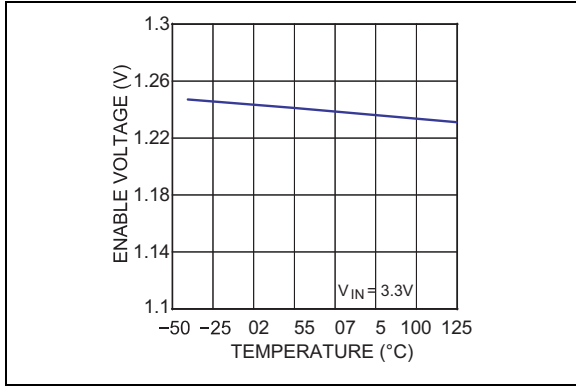


FIGURE 2-7: Enable Voltage vs. Temperature.

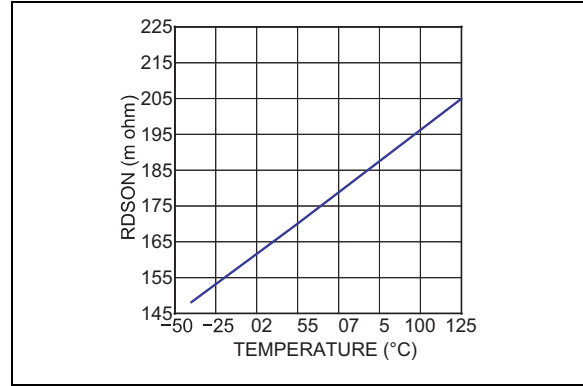


FIGURE 2-10: P-Channel $R_{DS(ON)}$ vs. Temperature.

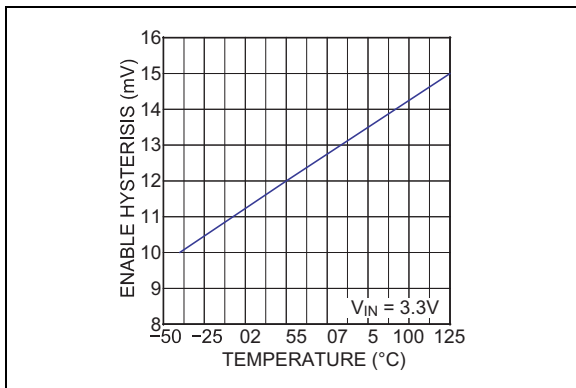


FIGURE 2-8: Enable Hysteresis vs. Temperature.

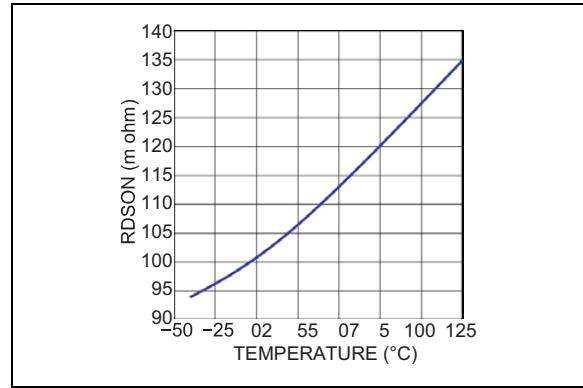


FIGURE 2-11: N-Channel $R_{DS(ON)}$ vs. Temperature.

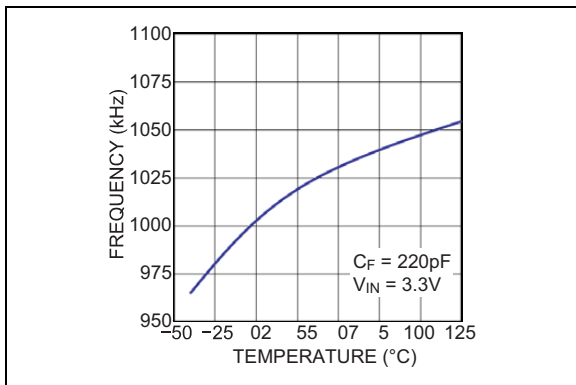


FIGURE 2-9: Frequency vs. Temperature.

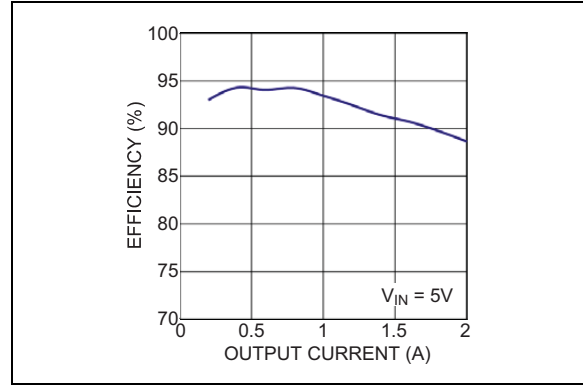


FIGURE 2-12: Efficiency @ 3.3V_{OUT}.

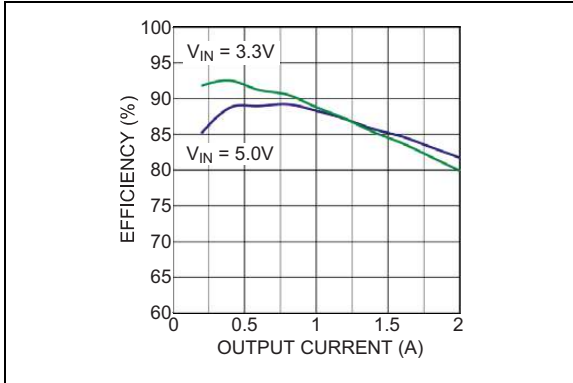


FIGURE 2-13: Efficiency @ $1.8V_{OUT}$.

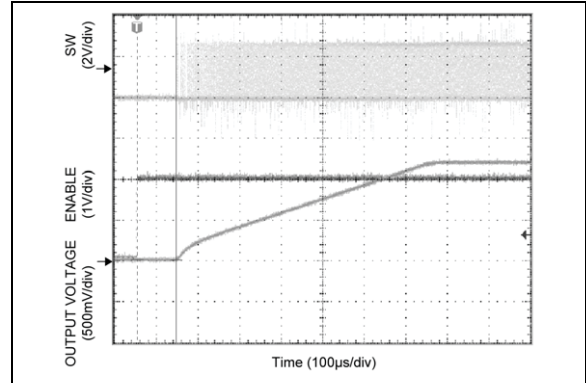


FIGURE 2-16: Enable Turn-On.

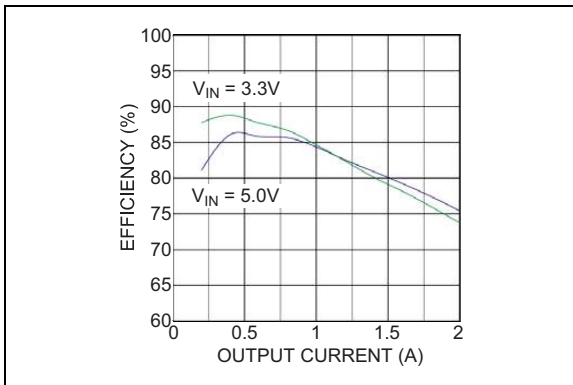


FIGURE 2-14: Efficiency @ $1.2V_{OUT}$.

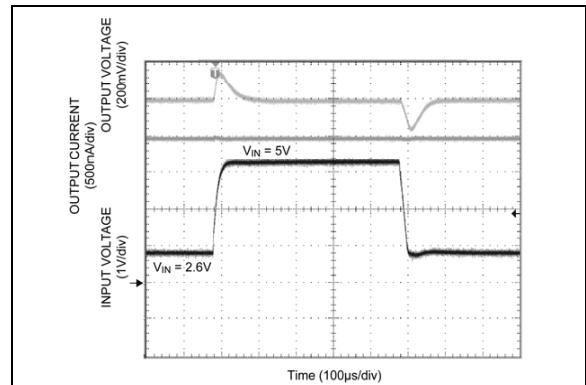


FIGURE 2-17: Line Transient Response.

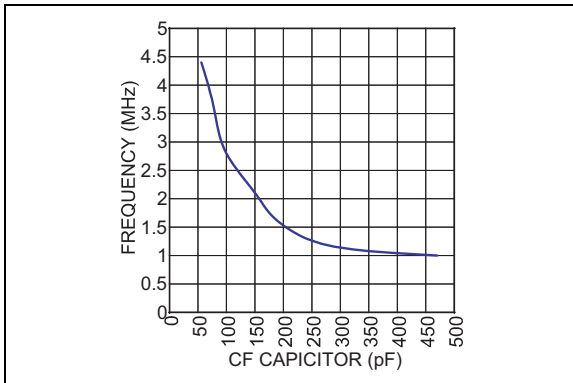


FIGURE 2-15: Frequency vs. CF

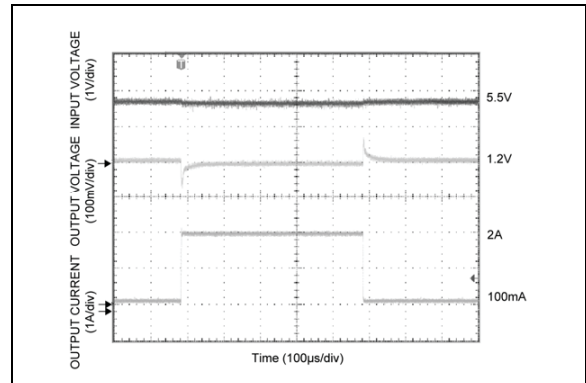


FIGURE 2-18: Load Transient Response.

MIC22200

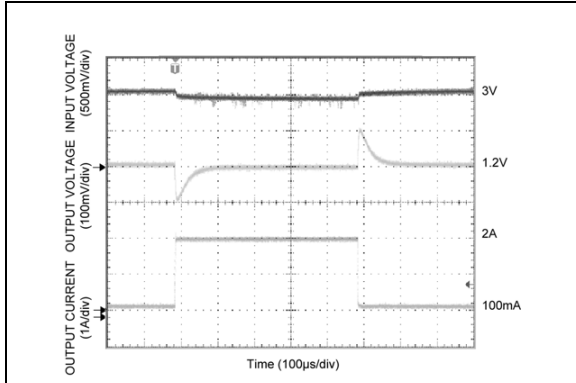


FIGURE 2-19: Load Transient Response.

3.0 PIN DESCRIPTIONS

The descriptions of the pins are listed in [Table 3-1](#).

TABLE 3-1: PIN FUNCTION TABLE

Pin Number	Pin Name	Description
1	POR	Power-On-Reset (output): Open drain output device indicates when the output is out of regulation and is active after the delay set by the DELAY pin.
2	RC	Ramp Control. Capacitor to GND from this pin determines the slew rate of output voltage during start-up. This can be used for tracking capability as well as for soft-start.
3	CF	External capacitor to adjust switching frequency.
4	SGND	Signal Ground (signal): Ground (GND).
5	COMP	Compensation Pin (input): Placing an RC to GND will compensate the device. See Section 5.0 “Application Information” .
6	FB	Feedback (input): Input to the error amplifier; connected to the external resistor divider network to set the output voltage.
7	SVIN	Signal Power Supply Voltage (input): Requires bypass capacitor to GND.
8	PVIN	Power Supply Voltage (input): Requires bypass capacitor to GND.
9	SW	Switch (output): From internal power MOSFET output switches.
10	PGND	Power Ground (power): Ground (GND).
11	DELAY	Delay (input).
12	EN/DLY	Enable (Input): When this pin is pulled higher than the enable threshold, the part will start up. Below this voltage the device is in its low quiescent current mode. The pin has a 1 μ A current source charging it to VIN. By adding a capacitor to this pin a delay may easily be generated. The enable function will not operate with an input voltage lower than the min specified.
ePad	GND	Exposed Pad (Power): Must make a full connection to a GND plane for full output power to be released.

MIC22200

4.0 FUNCTIONAL DESCRIPTION

4.1 PVIN, SVIN

PVIN is the input supply to the internal 180 mΩ P-channel Power MOSFET. This should be connected externally to the SVIN pin. The supply voltage range is from 2.6V to 5.5V. A 10 μF ceramic is recommended for bypassing each PVIN supply.

4.2 EN/DLY

This pin is internally fed with a 1 μA current source from VIN. A delayed turn on is implemented by adding a capacitor to this pin. The delay is proportional to the capacitor value. The internal circuits are held off until EN/DLY reaches the enable threshold of 1.24V.

4.3 RC

RC allows the slew rate of the output voltage to be programmed by the addition of a capacitor from RC to ground. RC is internally fed with a 1 μA current source and V_{OUT} slew rate is proportional to the capacitor and the 1 μA source. The RC pin cannot be left floating. Use a minimum capacitor value of 470 pF or larger.

4.4 DELAY

Adding a capacitor to this pin allows the delay of the POR signal.

When V_{OUT} reaches 90% of its nominal voltage, the DELAY pin current source (1 μA) starts to charge the external capacitor. At 1.24V, POR is asserted high.

4.5 COMP

The MIC22200 uses an internal compensation network containing a fixed frequency zero (phase lead response) and pole (phase lag response) that allows the external compensation network to be simplified for stability. The addition of a single capacitor and resistor will add the necessary pole and zero for voltage mode loop stability using low value, low ESR ceramic capacitors.

4.6 FB

The feedback pin provides the control path to control the output. A resistor divider connecting the feedback to the output is used to adjust the desired output voltage. Refer to [Section 5.8 “Feedback”](#) in [Section 5.0 “Application Information”](#) for more detail.

4.7 POR

This is an open drain output. A 47 kΩ resistor can be used for a pull up to this pin. POR is asserted high when output voltage reaches 90% of nominal set voltage and after the delay set by C_{DELAY} . POR is asserted low without delay when enable is set low or when the output goes below –10% threshold. For a Power Good (PG) function, the delay can be set to a minimum. This can be done by removing the DELAY pin capacitor.

4.8 SW

This is the connection to the drain of the internal P-Channel MOSFET and drain of the N-Channel MOSFET. This is a high frequency high power connection; therefore traces should be kept as short and as wide as practical.

4.9 CF

Adding a capacitor to this pin can adjust switching frequency from 800 kHz to 4 MHz. The CF capacitor must be connected between the CF pin and power ground.

4.10 SGND

Internal signal ground for all low power sections.

4.11 PGND

Internal ground connection to the source of the internal N-channel MOSFETs.

5.0 APPLICATION INFORMATION

The MIC22200 is a 2A Synchronous step-down regulator IC with an adjustable switching frequency from 800 kHz to 4 MHz, voltage mode PWM control scheme. The other features include tracking and sequencing control for controlling multiple output power systems, POR.

5.1 Input Capacitor

A minimum 10 μF ceramic is recommended on each of the PVIN pins for bypassing. X5R or X7R dielectrics are recommended for the input capacitor. Y5V dielectrics, aside from losing most of their capacitance over temperature, they also become resistive at high frequencies. This reduces their ability to filter out high-frequency noise.

5.2 Output Capacitor

The MIC22200 was designed specifically for the use of ceramic output and 22 μF is optimum output capacitors. Additional 100 μF can improve transient performance. Because the MIC22200 is voltage mode, the control loop relies on the inductor and output capacitor for compensation. For this reason, do not use excessively large output capacitors. The output capacitor requires either an X7R or X5R dielectric. Y5V and Z5U dielectric capacitors, aside from the undesirable effect of their wide variation in capacitance over temperature, become resistive at high frequencies. Using Y5V or Z5U capacitors can cause instability in the MIC22200.

5.3 Inductor Selection

Inductor selection will be determined by the following (not necessarily in the order of importance):

- Inductance
- Rated current value
- Size requirements
- DC resistance (DCR)

The MIC22200 is designed to use a 0.47 μH to 4.7 μH inductor.

Maximum current ratings of the inductor are generally given in two methods: permissible DC current and saturation current. Permissible DC current can be rated either for a 40°C temperature rise or a 10% loss in inductance. Ensure the inductor selected can handle the maximum operating current. When saturation current is specified, make sure that there is enough margin that the peak current will not saturate the inductor. The ripple can add as much as 1.2A to the output current level. The RMS rating should be chosen to be equal or greater than the current limit of the MIC22200 to prevent overheating in a fault condition. For best electrical performance, the inductor should be

placed very close to the SW nodes of the IC. It is important to test all operating limits before settling on the final inductor choice.

The size requirements refer to the area and height requirements that are necessary to fit a particular design. Please refer to the inductor dimensions on their data sheet.

DC resistance is also important. While DCR is inversely proportional to size, DCR can represent a significant efficiency loss. Refer to the [Efficiency Considerations](#) section for a more detailed description.

5.4 EN/DLY Capacitor

EN/DLY sources 1 μA out of the IC to allow a startup delay to be implemented. The delay time is simply the time it takes 1 μA to charge $C_{\text{EN/DLY}}$ to 1.24V. Therefore:

EQUATION 5-1:

$$t_{DLY} = \frac{1.24 \times C_{\text{EN/DLY}}}{1.10^{-6}}$$

5.5 CF Capacitor

Adding a capacitor to this pin can adjust switching frequency from 800 kHz to 4 MHz. CF sources 400 μA out of the IC to charge the CF capacitor to set up the switching frequency. The switch period is simply the time it takes 400 μA to charge CF to 1.0V ($\pm 2\%$). Therefore:

TABLE 5-1: CF VS. FREQUENCY

Capacitor CF	Frequency
56 pF	4.4 MHz
68 pF	4 MHz
82 pF	3.4 MHz
100 pF	2.8 MHz
150 pF	2.1 MHz
180 pF	1.7 MHz
220 pF	1.4 MHz
270 pF	1.2 MHz
330 pF	1.1 MHz
390 pF	1.05 MHz
470 pF	1 MHz

It is necessary to connect the CF capacitor between the CF pin and power ground.

5.6 Efficiency Considerations

Efficiency is defined as the amount of useful output power, divided by the amount of power consumed.

EQUATION 5-2:

$$\text{Efficiency \%} = \left(\frac{V_{OUT} \times I_{OUT}}{V_{IN} \times I_{IN}} \right) \times 100$$

Maintaining high efficiency serves two purposes. It decreases power dissipation in the power supply, reducing the need for heat sinks and thermal design considerations and it decreases consumption of current for battery powered applications. Reduced current drawn from a battery increases the devices operating time, particularly in hand-held devices.

There are mainly two loss terms in switching converters: conduction losses and switching losses. Conduction losses are simply the power losses due to VI or I^2R . For example, power is dissipated in the high side switch during the on cycle. The power loss is equal to the high-side MOSFET $R_{DS(ON)}$ multiplied by the RMS Switch Current squared (I_{SW}^2). During the off cycle, the low-side N-Channel MOSFET conducts, also dissipating power. Similarly, the inductor's DCR and capacitor's ESR also contribute to the I^2R losses. Device operating current also reduces efficiency by the product of the quiescent (operating) current and the supply voltage. The current required to drive the gates on and in the frequency range from 800 kHz to 4 MHz and the switching transitions make up the switching losses.

Figure 5-1 shows an efficiency curve. In the portion from 0A to 0.2A, efficiency losses are dominated by quiescent current losses, gate drive, and transition losses. In this case, lower supply voltages yield greater efficiency in that they require less current to drive the MOSFETs and have reduced input power consumption.

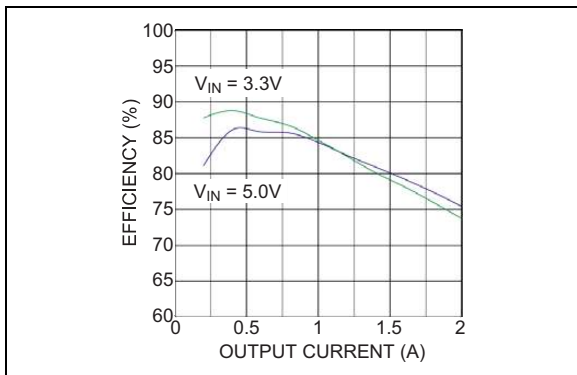


FIGURE 5-1: Efficiency Curve.

The region, 0.2A to 2A, efficiency loss is dominated by MOSFET $R_{DS(ON)}$ and inductor DC losses. Higher input supply voltages will increase the Gate-to-Source voltage on the internal MOSFETs, reducing the internal $R_{DS(ON)}$. This improves efficiency by decreasing conduction loss in the device but the inductor loss is inherent to the converter. In which case, inductor selection becomes increasingly critical in efficiency calculations. As the inductors are reduced in size, the DC resistance (DCR) can become quite significant. The DCR losses can be calculated as follows:

EQUATION 5-3:

$$L_{PD} = I_{OUT}^2 \times DCR$$

From that, the loss in efficiency due to inductor resistance can be calculated as in Equation 5-4.

EQUATION 5-4:

$$EL = \left[1 - \left(\frac{V_{OUT} \times I_{OUT}}{(V_{OUT} \times I_{OUT}) + L_{PD}} \right) \right] \times 100$$

Where:
EL = Efficiency loss value in percent.

Efficiency loss due to DCR is minimal at light loads and gains significance as the load is increased. Inductor selection becomes a trade-off between efficiency and size in this case.

Alternatively, under lighter loads, the ripple current becomes a significant factor. When light load efficiencies become more critical, a larger inductor value maybe desired. Larger inductance reduces the peak-to-peak inductor ripple current, which minimize losses. The following graph in Figure 5-2 illustrates the effects of inductance value at light load.

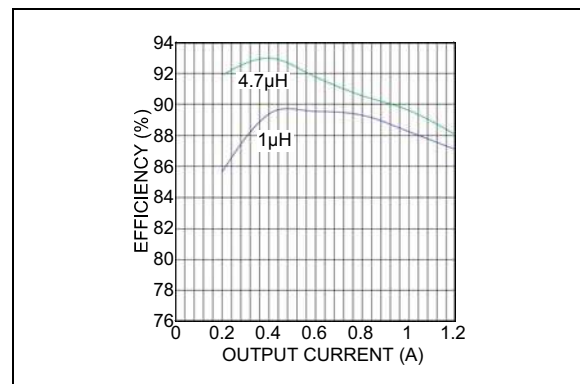


FIGURE 5-2: Efficiency vs. Inductance.

5.7 Compensation

The MIC22200 has a combination of internal and external stability compensation to simplify the circuit for small, high efficiency designs. In such designs, voltage mode conversion is often the optimum solution. Voltage mode is achieved by creating an internal 1 MHz ramp signal and using the output of the error amplifier to modulate the pulse width of the switch node, maintaining output voltage regulation. With a typical gain bandwidth of 100 kHz to 200 kHz, the MIC22200 is capable of extremely fast transient responses.

The MIC22200 is designed to be stable with a typical application using a 1 μH inductor and a 47 μF ceramic (X5R) output capacitor. These values can be varied dependent on the trade off between size, cost and efficiency, keeping the LC natural frequency ideally less than 26 kHz to ensure stability can be achieved. The minimum recommended inductor value is 0.47 μH and minimum recommended output capacitor value is 22 μF . With a larger inductor, there is a reduced peak-to-peak current which yields a greater efficiency at lighter loads. A larger output capacitor will improve transient response by providing a larger hold up reservoir of energy to the output.

EQUATION 5-5:

$$f_{LC} = \left(\frac{1}{2 \times \pi \times \sqrt{L \times C}} \right)$$

The integration of one pole-zero pair within the control loop greatly simplifies compensation. The optimum values for C_{COMP} (in series with a 20 k Ω resistor) are shown in [Table 5-2](#).

TABLE 5-2: COMPENSATION CAPACITOR SELECTION

L	C		
	22 μF - 47 μF	47 μF - 100 μF	100 μF - 470 μF
0.47 μH	0 pF - 10 pF (Note 1)	22 pF	33 pF
1 μH	0 pF - 15 pF (Note 2)	15 pF - 22 pF	33 pF
2.2 μH	15 pF - 33 pF	33 pF - 47 pF	100 pF - 220 pF

Note 1: $V_{\text{OUT}} > 1.2\text{V}$

2: $V_{\text{OUT}} > 1\text{V}$

For compensation values for various output voltages and inductor values refer to [Table 5-3](#).

TABLE 5-3: COMPENSATION SELECTION

$V_{\text{IN}} = 5\text{V}$								
V_{OUT}	L	C_{OUT}	C_{COMP}	R_{COMP}	C_{FF}	R_{FF}	C_{FB}	R_{FB}
1.1V	3.3 μH	2 x 47 μF	100 pF	5 k Ω	N.U.	4.7 k Ω	100 pF	8.2 k Ω
1.3V	1.5 μH	2 x 47 μF	100 pF	5 k Ω	1 nF	4.7 k Ω	100 pF	5.49 k Ω
1.8V	2.2 μH	2 x 47 μF	100 pF	5 k Ω	1 nF	4.7 k Ω	100 pF	3.0 k Ω
4.2V	1.5 μH	2 x 47 μF	100 pF	20 k Ω	1 nF	4.7 k Ω	100 pF	953 Ω

5.8 Feedback

The MIC22200 provides a feedback pin to adjust the output voltage to the desired level. This pin connects internally to an error amplifier. The error amplifier then compares the voltage at the feedback to the internal 0.7V reference voltage and adjusts the output voltage to maintain regulation. The resistor divider network for a desired V_{OUT} is given by:

EQUATION 5-6:

$$R2 = \frac{R1}{\left(\frac{V_{OUT}}{V_{REF}} - 1\right)}$$

Where:

$V_{REF} = 0.7V$

$V_{OUT} =$ The desired output voltage.

A 10 k Ω or lower resistor value from the output to the feedback is recommended because large feedback resistor values increase the impedance at the feedback pin, making the feedback node more susceptible to noise pick-up. A small capacitor (50 pF to 100 pF) across the lower resistor can reduce noise pick-up by providing a low impedance path to ground.

5.9 PWM Operation

The MIC22200 is a voltage mode, pulse width modulation (PWM) controller. By controlling the duty cycle, a regulated DC output voltage is achieved. As load or supply voltage changes, so does the duty cycle to maintain a constant output voltage. In cases where the input supply runs into a dropout condition, the MIC22602 will run at 100% duty cycle.

The MIC22200 provides constant switching from 800 kHz to 4 MHz with synchronous internal MOSFETs. The internal MOSFETs include a 180 m Ω high-side P-Channel MOSFET from the input supply to the switch pin and a 100 m Ω N-Channel MOSFET from the switch pin-to-ground. Since the low-side N-Channel MOSFET provides the current during the off cycle, a freewheeling Schottky diode from the switch node-to-ground is not required.

PWM control provides fixed frequency operation. By maintaining a constant switching frequency, predictable fundamental and harmonic frequencies are achieved. Other methods of regulation, such as burst and skip modes, have frequency spectrums that change with load that can interfere with sensitive communication equipment.

5.10 Sequencing and Tracking

The MIC22200 provides additional pins to provide up/down sequencing and tracking capability for connecting multiple voltage regulators together.

5.10.1 EN/DLY PIN

The EN pin contains a trimmed, 1 μA current source that can be used with a capacitor to implement a fixed desired delay in some sequenced power systems. The threshold level for power on is 1.24V with a hysteresis of 20 mV.

5.10.2 DELAY PIN

The DELAY pin also has a 1 μA trimmed current source and a 1 μA current sink which acts with an external capacitor to delay the operation of the Power-on-Reset (POR) output. This can be used also in sequencing outputs in a sequenced system, but with the addition of a conditional delay between supplies; allowing a first up, last down power sequence.

After EN/DLY is driven high, V_{OUT} will start to rise (rate determined by RC capacitor). As the FB voltage goes above 90% of its nominal set voltage, DELAY pin begins to rise as the 1 μA source charges the external capacitor. When the threshold of 1.24V is crossed, POR is asserted high and DELAY continues to charge to a voltage V_{DD} . When FB falls below 90% of nominal, POR is asserted low immediately. However, if EN/DLY pin is driven low, POR will fall immediately to the low state and DELAY pin will begin to fall as the external capacitor is discharged by the 1 μA current sink. When the threshold of $V_{DD} - 1.24V$ is crossed, V_{OUT} will begin to fall at a rate determined by the RC capacitor. As the voltage change in both cases is 1.24V, both rising and falling delays are matched at:

EQUATION 5-7:

$$t_{POR} = \frac{1.24 \times C_{DLY}}{1.10^{-6}}$$

5.10.3 RC PIN

The RC pin provides a trimmed 1 μA current source/sink similar to the DELAY pin for accurate ramp-up (soft-start) and ramp-down control. This allows the MIC22200 to be used in systems requiring voltage tracking or ratio-metric voltage tracking at startup.

There are two ways of using the RC pin:

- Externally driven from a voltage source
- Externally attached capacitor sets output ramp up/down rate

In the first case, driving RC with a voltage from 0V to V_{REF} programs the output voltage between 0% and 100% of the nominal set voltage.

In the second case, the external capacitor sets the ramp up and ramp down time of the output voltage. The time is given by:

EQUATION 5-8:

$$t_{RAMP} = \frac{0.7 \times C_{RC}}{1.10^{-6}}$$

Where:

t_{RAMP} = The time from 0% to 100% nominal output voltage.

MIC22200

5.10.4 SEQUENCING AND TRACKING EXAMPLES

There are four distinct variations that are easily implemented using the MIC22200. The two sequencing variations are Delayed and Windowed. The two tracking variants are Normal and Ratio Metric. The following diagrams illustrate methods for connecting two MIC22200's to achieve these requirements.

Sequencing

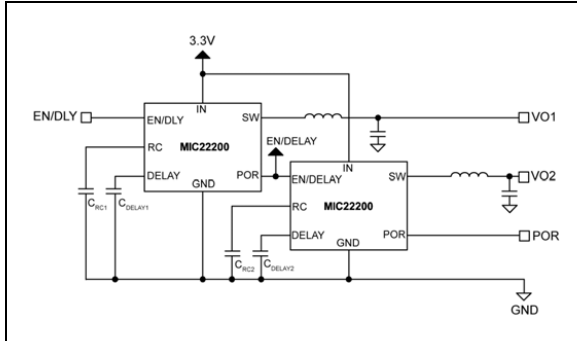


FIGURE 5-3: Sequencing MIC22200 Circuit.

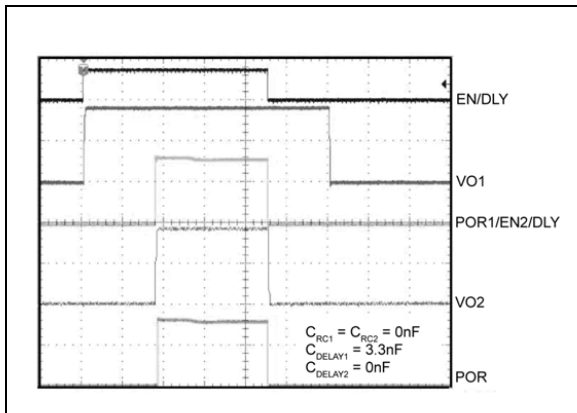


FIGURE 5-4: Window Sequencing Example.

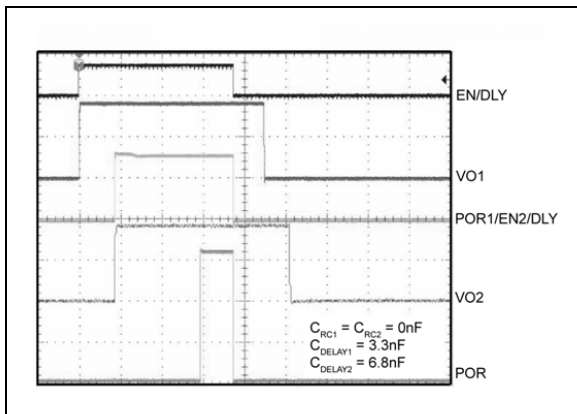


FIGURE 5-5: Delayed Sequencing Example.

Normal Tracking

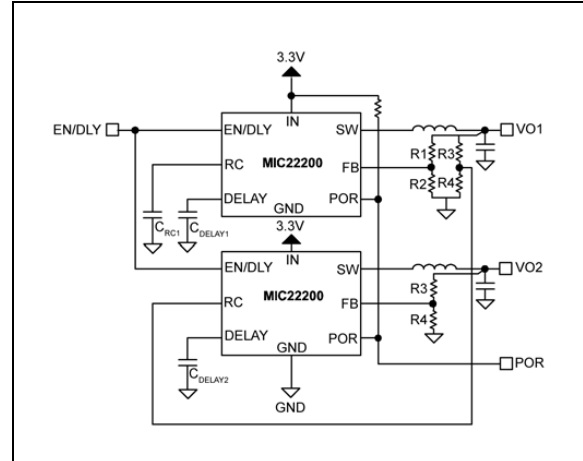


FIGURE 5-6: Normal Tracking Circuit.

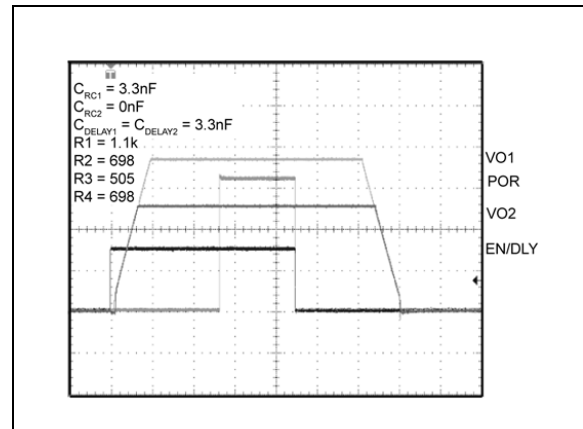


FIGURE 5-7: Normal Tracking Example.

Ratio Metric Tracking

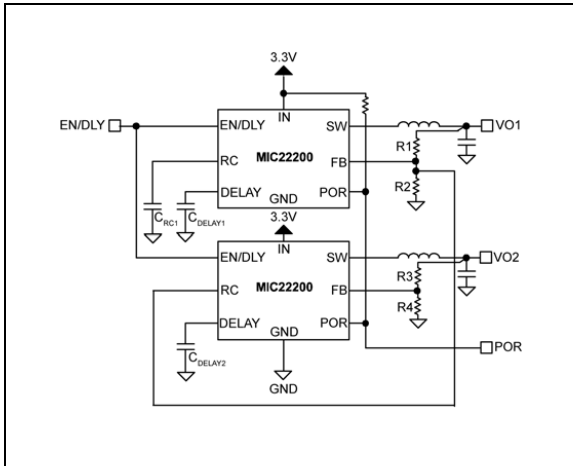


FIGURE 5-8: Ratio Metric Tracking Circuit.

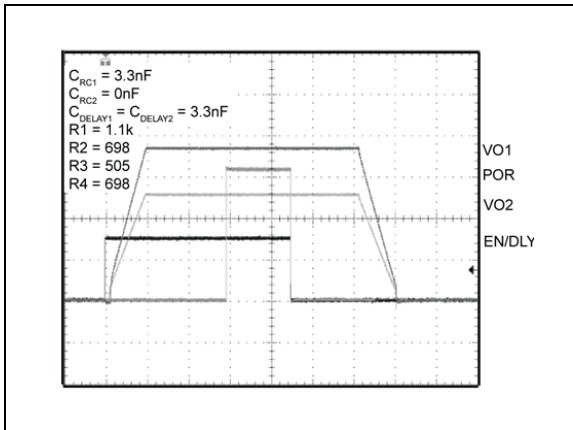


FIGURE 5-9: Ratio Metric Tracking Example.

DDR Memory V_{DD} and V_{TT} Tracking

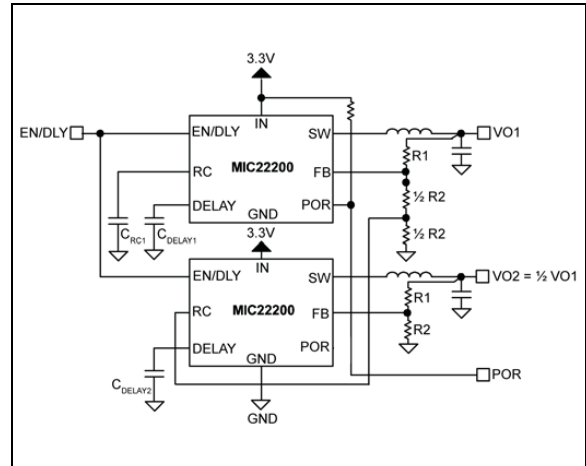


FIGURE 5-10: DDR Memory Tracking Circuit.

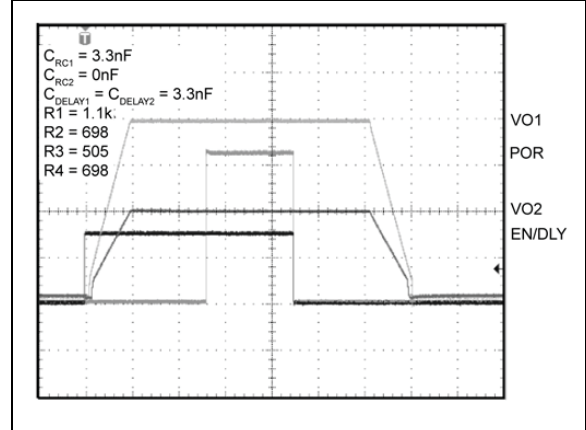


FIGURE 5-11: DDR Memory Tracking Example.

An alternative method here shows an example of a V_{DDQ} & V_{TT} solution for a DDR memory power supply. Note that POR is taken from VO1 as POR2 will not go high. This is because POR is set high when $FB > 0.9 \times V_{REF}$. In this example, FB2 is regulated to $\frac{1}{2}V_{REF}$.

MIC22200

5.11 Current Limit

The MIC22200 is protected against overload in two stages. The first is to limit the current in the P-channel switch; the second is by overtemperature shutdown.

Current is limited by measuring the current through the high-side MOSFET during its power stroke and immediately switching off the driver when the preset limit is exceeded.

The circuit in [Figure 5-12](#) describes the operation of the current-limit circuit. Because the actual $R_{DS(ON)}$ of the P-Channel MOSFET varies part-to-part, over temperature and with input voltage, simple IR voltage detection is not employed. Instead, a smaller copy of the Power MOSFET (Reference FET) is fed with a constant current that is directly proportional to the factory set current limit. This sets the current limit as a current ratio and is not dependent upon the $R_{DS(ON)}$ value. Current limit is set to 5.5A nominal. Variations in the scale factor K between the Power PFET and the reference PFET used to generate the limit threshold account for a relatively small inaccuracy.

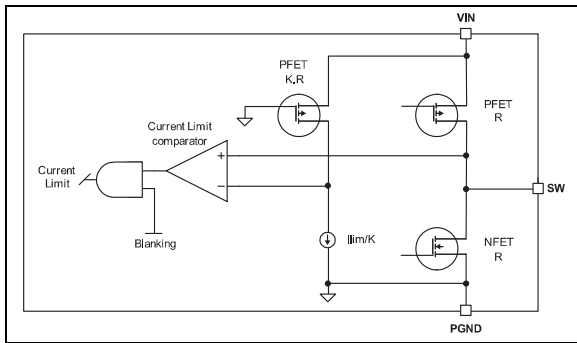


FIGURE 5-12: Current Limit Detail.

5.12 Thermal Considerations

The MIC22200 is packaged in a 3 mm x 3 mm DFN, a package that has excellent thermal performance equaling that of the larger TSSOP packages. This maximizes heat transfer from the junction to the exposed pad (ePad) that connects to the ground plane. The size of the ground plane attached to the exposed pad determines the overall thermal resistance from the junction to the ambient air surrounding the printed circuit board. The junction temperature for a given ambient temperature can be calculated using:

EQUATION 5-9:

$$T_J = T_A + P_{DISS} \times R\theta_{JA}$$

Where:

P_{DISS} = The power dissipated within the DFN package and is typically 0.8W at 2A for $V_{IN} = 5V$ and $V_{OUT} = 1.8V$ load. This has been calculated for a 1 μH inductor and details can be found in [Table 5-4](#) for reference.

$R\theta_{JA}$ = A combination of junction to case thermal resistance ($R\theta_{JC}$) and Case-to-Ambient thermal resistance ($R\theta_{CA}$), since thermal resistance of the solder connection from the ePad to the PCB is negligible; $R\theta_{CA}$ is the thermal resistance of the ground plane to ambient, so $R\theta_{JA} = R\theta_{JC} + R\theta_{CA}$.

Example:

To calculate the junction temperature for a 50°C ambient:

EQUATION 5-10:

$$T_J = T_A + (P_{DISS} \times R\theta_{JA})$$

$$T_J = 50^\circ C + (0.8W \times 40^\circ C/W)$$

$$T_J = 82^\circ C$$

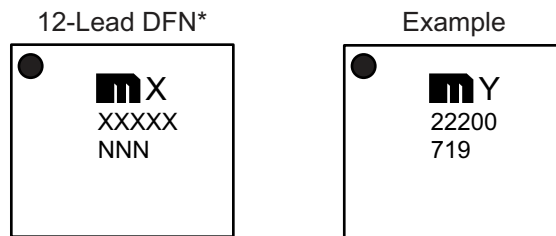
This is below the maximum of 125°C.

TABLE 5-4: POWER DISSIPATION FOR 2A OUTPUT

V_{OUT} at 2A	V_{IN}				
	3V	3.5V	4V	4.5V	5V
1V	0.86822W	0.81512W	0.7836W	0.77014W	0.76194W
1.2V	0.87796W	0.8247W	0.79362W	0.77956W	0.76842W
1.8V	0.93972W	0.86722W	0.82568W	0.8095W	0.80076W
2.5V	0.91848W	0.90504W	0.85466W	0.83296W	0.81846W
3.3V	—	—	0.8764W	0.842W	0.8326W

6.0 PACKAGING INFORMATION

6.1 Package Marking Information



Legend:	XX...X	Product code or customer-specific information
	Y	Year code (last digit of calendar year)
	YY	Year code (last 2 digits of calendar year)
	WW	Week code (week of January 1 is week '01')
	NNN	Alphanumeric traceability code
	(e3)	Pb-free JEDEC® designator for Matte Tin (Sn)
	*	This package is Pb-free. The Pb-free JEDEC designator ((e3)) can be found on the outer packaging for this package.
	•, ▲, ▼	Pin one index is identified by a dot, delta up, or delta down (triangle mark).
Note: In the event the full Microchip part number cannot be marked on one line, it will be carried over to the next line, thus limiting the number of available characters for customer-specific information. Package may or may not include the corporate logo.		
Underbar (_) and/or Overbar (¯) symbol may not be to scale.		

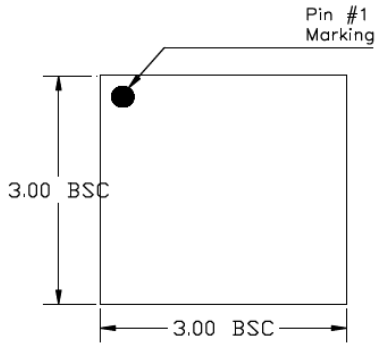
MIC22200

12-Lead DFN 3 mm x 3 mm Package Outline and Recommended Land Pattern

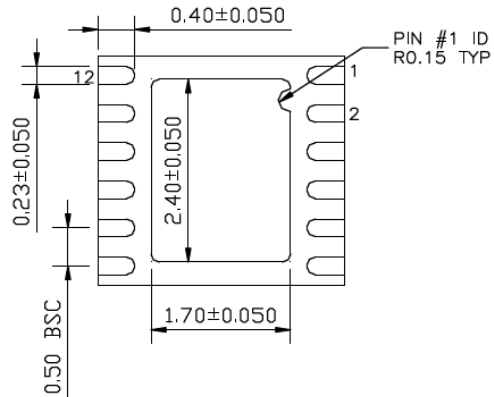
TITLE

12 LEAD DFN 3x3mm PACKAGE OUTLINE & RECOMMENDED LAND PATTERN

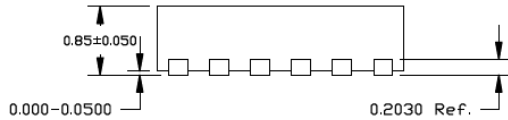
DRAWING #	DFN33-12LD-PL-1	UNIT	MM
-----------	-----------------	------	----



TOP VIEW
NOTE: 1, 2, 3



BOTTOM VIEW
NOTE: 1, 2, 3



SIDE VIEW
NOTE: 1, 2, 3

NOTE:

1. MAX PACKAGE WARPAGE IS 0.05 MM
2. MAX ALLOWABLE BURR IS 0.076 MM IN ALL DIRECTIONS
3. PIN #1 IS ON TOP WILL BE LASER MARKED
4. RED CIRCLE IN LAND PATTERN INDICATE THERMAL VIA. SIZE SHOULD BE 0.30-0.35 MM IN DIAMETER AND SHOULD BE CONNECTED TO GND FOR MAX THERMAL PERFORMANCE
5. GREEN RECTANGLES (SHADED AREA) indicate SOLDER STENCIL OPENING ON EXPOSED PAD AREA. SIZE SHOULD BE 0.50x0.95 MM IN SIZE, 0.20 MM SPACING.

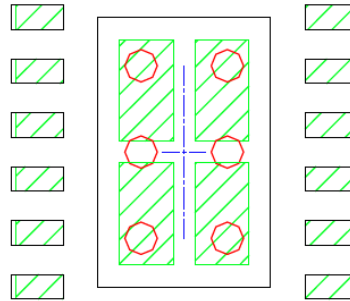
Note: For the most current package drawings, please see the Microchip Packaging Specification located at <http://www.microchip.com/packaging>.

12-Lead DFN 3 mm x 3 mm Package Outline and Recommended Land Pattern

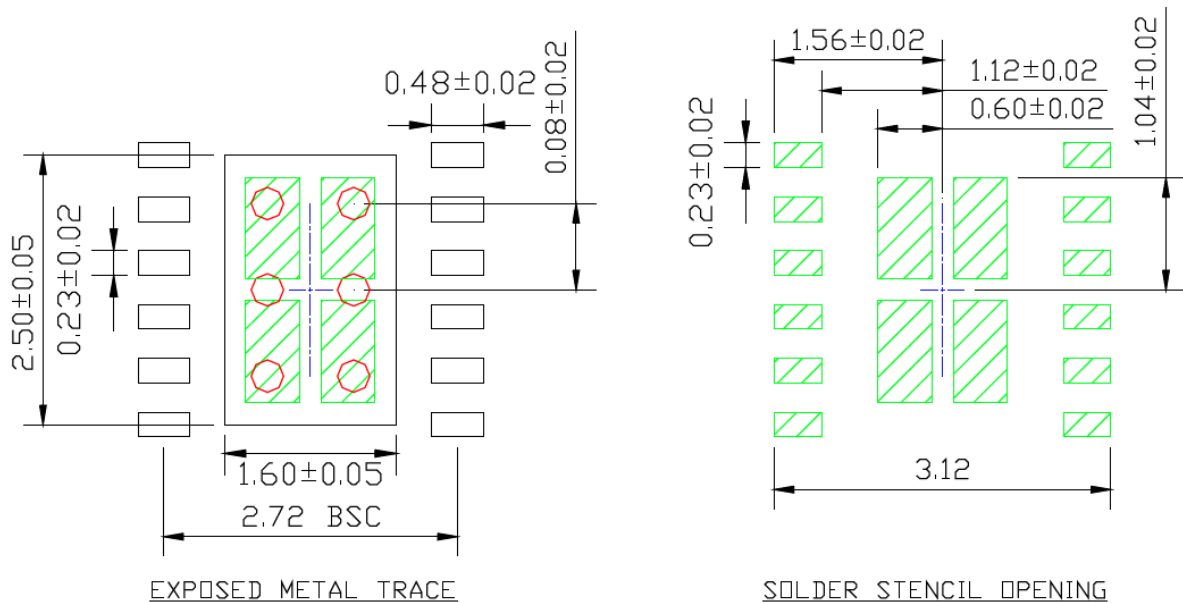
POD-Land Pattern drawing # DFN33-12LD-PL-1

RECOMMENDED LAND PATTERN

NOTE: 4, 5



STACKED-UP



Note: For the most current package drawings, please see the Microchip Packaging Specification located at <http://www.microchip.com/packaging>.

MIC22200

NOTES:

APPENDIX A: REVISION HISTORY

Revision A (October 2020)

- Converted Micrel document MIC22200 to Microchip data sheet template DS20006324A.
- Minor grammatical text changes throughout.
- Evaluation Board Schematic, BOM, and PCB Layout sections from original data sheet moved to the part's Evaluation Board User's Guide.

MIC22200

NOTES:

PRODUCT IDENTIFICATION SYSTEM

To order or obtain information, e.g., on pricing or delivery, contact your local Microchip representative or sales office.

<u>Device</u>	<u>X</u>	<u>XX</u>	<u>-XX</u>
Part No.	Junction Temp. Range	Package	Media Type
Device:	MIC22200:	2A Integrated Switch Synchronous Buck Regulator	
Junction Temperature Range:	Y =	-40°C to +125°C, RoHS-Compliant	
Package:	ML =	12-Lead 3 mm x 3 mm DFN	
Media Type:	TR =	5,000/Reel	

Examples:
a) MIC22200YML-TR: MIC22602,
-40°C to +125°C Temperature
Range, 12-Lead DFN,
5,000/Reel

Note 1: Tape and Reel identifier only appears in the
catalog part number description. This identifier is
used for ordering purposes and is not printed on
the device package. Check with your Microchip
Sales Office for package availability with the
Tape and Reel option.

MIC22200

NOTES:

Note the following details of the code protection feature on Microchip devices:

- Microchip products meet the specifications contained in their particular Microchip Data Sheet.
- Microchip believes that its family of products is secure when used in the intended manner and under normal conditions.
- There are dishonest and possibly illegal methods being used in attempts to breach the code protection features of the Microchip devices. We believe that these methods require using the Microchip products in a manner outside the operating specifications contained in Microchip's Data Sheets. Attempts to breach these code protection features, most likely, cannot be accomplished without violating Microchip's intellectual property rights.
- Microchip is willing to work with any customer who is concerned about the integrity of its code.
- Neither Microchip nor any other semiconductor manufacturer can guarantee the security of its code. Code protection does not mean that we are guaranteeing the product is "unbreakable." Code protection is constantly evolving. We at Microchip are committed to continuously improving the code protection features of our products. Attempts to break Microchip's code protection feature may be a violation of the Digital Millennium Copyright Act. If such acts allow unauthorized access to your software or other copyrighted work, you may have a right to sue for relief under that Act.

Information contained in this publication is provided for the sole purpose of designing with and using Microchip products. Information regarding device applications and the like is provided only for your convenience and may be superseded by updates. It is your responsibility to ensure that your application meets with your specifications.

THIS INFORMATION IS PROVIDED BY MICROCHIP "AS IS". MICROCHIP MAKES NO REPRESENTATIONS OR WARRANTIES OF ANY KIND WHETHER EXPRESS OR IMPLIED, WRITTEN OR ORAL, STATUTORY OR OTHERWISE, RELATED TO THE INFORMATION INCLUDING BUT NOT LIMITED TO ANY IMPLIED WARRANTIES OF NON-INFRINGEMENT, MERCHANTABILITY, AND FITNESS FOR A PARTICULAR PURPOSE OR WARRANTIES RELATED TO ITS CONDITION, QUALITY, OR PERFORMANCE.

IN NO EVENT WILL MICROCHIP BE LIABLE FOR ANY INDIRECT, SPECIAL, PUNITIVE, INCIDENTAL OR CONSEQUENTIAL LOSS, DAMAGE, COST OR EXPENSE OF ANY KIND WHATSOEVER RELATED TO THE INFORMATION OR ITS USE, HOWEVER CAUSED, EVEN IF MICROCHIP HAS BEEN ADVISED OF THE POSSIBILITY OR THE DAMAGES ARE FORESEEABLE. TO THE FULLEST EXTENT ALLOWED BY LAW, MICROCHIP'S TOTAL LIABILITY ON ALL CLAIMS IN ANY WAY RELATED TO THE INFORMATION OR ITS USE WILL NOT EXCEED THE AMOUNT OF FEES, IF ANY, THAT YOU HAVE PAID DIRECTLY TO MICROCHIP FOR THE INFORMATION. Use of Microchip devices in life support and/or safety applications is entirely at the buyer's risk, and the buyer agrees to defend, indemnify and hold harmless Microchip from any and all damages, claims, suits, or expenses resulting from such use. No licenses are conveyed, implicitly or otherwise, under any Microchip intellectual property rights unless otherwise stated.

Trademarks

The Microchip name and logo, the Microchip logo, Adaptec, AnyRate, AVR, AVR logo, AVR Freaks, BesTime, BitCloud, chipKIT, chipKIT logo, CryptoMemory, CryptoRF, dsPIC, FlashFlex, flexPWR, HELDO, IGL00, JukeBlox, KeeLoq, Klear, LANCheck, LinkMD, maXStylus, maXTouch, MediaLB, megaAVR, Microsemi, Microsemi logo, MOST, MOST logo, MPLAB, OptoLyzr, PackeTime, PIC, picoPower, PICSTART, PIC32 logo, PolarFire, Prochip Designer, QTouch, SAM-BA, SenGenuity, SpyNIC, SST, SST Logo, SuperFlash, Symmetricom, SyncServer, Tachyon, TimeSource, tinyAVR, UNI/O, Vectron, and XMEGA are registered trademarks of Microchip Technology Incorporated in the U.S.A. and other countries.

AgileSwitch, APT, ClockWorks, The Embedded Control Solutions Company, EtherSynch, FlashTec, Hyper Speed Control, HyperLight Load, IntelliMOS, Libero, motorBench, mTouch, Powermite 3, Precision Edge, ProASIC, ProASIC Plus, ProASIC Plus logo, Quiet-Wire, SmartFusion, SyncWorld, Temux, TimeCesium, TimeHub, TimePictra, TimeProvider, WinPath, and ZL are registered trademarks of Microchip Technology Incorporated in the U.S.A.

Adjacent Key Suppression, AKS, Analog-for-the-Digital Age, Any Capacitor, AnyIn, AnyOut, Augmented Switching, BlueSky, BodyCom, CodeGuard, CryptoAuthentication, CryptoAutomotive, CryptoCompanion, CryptoController, dsPICDEM, dsPICDEM.net, Dynamic Average Matching, DAM, ECAN, Espresso T1S, EtherGREEN, IdealBridge, In-Circuit Serial Programming, ICSP, INICnet, Intelligent Paralleling, Inter-Chip Connectivity, JitterBlocker, maxCrypto, maxView, memBrain, Mindi, MiWi, MPASM, MPF, MPLAB Certified logo, MPLIB, MPLINK, MultiTRAK, NetDetach, Omniscient Code Generation, PICDEM, PICDEM.net, PICkit, PICtail, PowerSmart, PureSilicon, QMatrix, REAL ICE, Ripple Blocker, RTAX, RTG4, SAM-ICE, Serial Quad I/O, simpleMAP, SimpliPHY, SmartBuffer, SMART-I.S., storClad, SQI, SuperSwitcher, SuperSwitcher II, Switchtec, SynchroPHY, Total Endurance, TSHARC, USBCheck, VariSense, VectorBlox, VeriPHY, ViewSpan, WiperLock, XpressConnect, and ZENA are trademarks of Microchip Technology Incorporated in the U.S.A. and other countries.

SQTP is a service mark of Microchip Technology Incorporated in the U.S.A.

The Adaptec logo, Frequency on Demand, Silicon Storage Technology, and Symmcom are registered trademarks of Microchip Technology Inc. in other countries.

GestIC is a registered trademark of Microchip Technology Germany II GmbH & Co. KG, a subsidiary of Microchip Technology Inc., in other countries.

All other trademarks mentioned herein are property of their respective companies.

© 2020, Microchip Technology Incorporated, All Rights Reserved.

ISBN: 978-1-5224-6940-7

For information regarding Microchip's Quality Management Systems, please visit www.microchip.com/quality.



MICROCHIP

Worldwide Sales and Service

AMERICAS

Corporate Office
2355 West Chandler Blvd.
Chandler, AZ 85224-6199
Tel: 480-792-7200
Fax: 480-792-7277
Technical Support:
<http://www.microchip.com/support>
Web Address:
www.microchip.com

Atlanta
Duluth, GA
Tel: 678-957-9614
Fax: 678-957-1455

Austin, TX
Tel: 512-257-3370

Boston
Westborough, MA
Tel: 774-760-0087
Fax: 774-760-0088

Chicago
Itasca, IL
Tel: 630-285-0071
Fax: 630-285-0075

Dallas
Addison, TX
Tel: 972-818-7423
Fax: 972-818-2924

Detroit
Novi, MI
Tel: 248-848-4000

Houston, TX
Tel: 281-894-5983

Indianapolis
Noblesville, IN
Tel: 317-773-8323
Fax: 317-773-5453
Tel: 317-536-2380

Los Angeles
Mission Viejo, CA
Tel: 949-462-9523
Fax: 949-462-9608
Tel: 951-273-7800

Raleigh, NC
Tel: 919-844-7510

New York, NY
Tel: 631-435-6000

San Jose, CA
Tel: 408-735-9110
Tel: 408-436-4270

Canada - Toronto
Tel: 905-695-1980
Fax: 905-695-2078

ASIA/PACIFIC

Australia - Sydney
Tel: 61-2-9868-6733

China - Beijing
Tel: 86-10-8569-7000

China - Chengdu
Tel: 86-28-8665-5511

China - Chongqing
Tel: 86-23-8980-9588

China - Dongguan
Tel: 86-769-8702-9880

China - Guangzhou
Tel: 86-20-8755-8029

China - Hangzhou
Tel: 86-571-8792-8115

China - Hong Kong SAR
Tel: 852-2943-5100

China - Nanjing
Tel: 86-25-8473-2460

China - Qingdao
Tel: 86-532-8502-7355

China - Shanghai
Tel: 86-21-3326-8000

China - Shenyang
Tel: 86-24-2334-2829

China - Shenzhen
Tel: 86-755-8864-2200

China - Suzhou
Tel: 86-186-6233-1526

China - Wuhan
Tel: 86-27-5980-5300

China - Xian
Tel: 86-29-8833-7252

China - Xiamen
Tel: 86-592-2388138

China - Zhuhai
Tel: 86-756-3210040

ASIA/PACIFIC

India - Bangalore
Tel: 91-80-3090-4444

India - New Delhi
Tel: 91-11-4160-8631

India - Pune
Tel: 91-20-4121-0141

Japan - Osaka
Tel: 81-6-6152-7160

Japan - Tokyo
Tel: 81-3-6880-3770

Korea - Daegu
Tel: 82-53-744-4301

Korea - Seoul
Tel: 82-2-554-7200

Malaysia - Kuala Lumpur
Tel: 60-3-7651-7906

Malaysia - Penang
Tel: 60-4-227-8870

Philippines - Manila
Tel: 63-2-634-9065

Singapore
Tel: 65-6334-8870

Taiwan - Hsin Chu
Tel: 886-3-577-8366

Taiwan - Kaohsiung
Tel: 886-7-213-7830

Taiwan - Taipei
Tel: 886-2-2508-8600

Thailand - Bangkok
Tel: 66-2-694-1351

Vietnam - Ho Chi Minh
Tel: 84-28-5448-2100

EUROPE

Austria - Wels
Tel: 43-7242-2244-39
Fax: 43-7242-2244-393

Denmark - Copenhagen
Tel: 45-4485-5910
Fax: 45-4485-2829

Finland - Espoo
Tel: 358-9-4520-820

France - Paris
Tel: 33-1-69-53-63-20
Fax: 33-1-69-30-90-79

Germany - Garching
Tel: 49-8931-9700

Germany - Haan
Tel: 49-2129-3766400

Germany - Heilbronn
Tel: 49-7131-72400

Germany - Karlsruhe
Tel: 49-721-625370

Germany - Munich
Tel: 49-89-627-144-0
Fax: 49-89-627-144-44

Germany - Rosenheim
Tel: 49-8031-354-560

Israel - Ra'anana
Tel: 972-9-744-7705

Italy - Milan
Tel: 39-0331-742611
Fax: 39-0331-466781

Italy - Padova
Tel: 39-049-7625286

Netherlands - Drunen
Tel: 31-416-690399
Fax: 31-416-690340

Norway - Trondheim
Tel: 47-7288-4388

Poland - Warsaw
Tel: 48-22-3325737

Romania - Bucharest
Tel: 40-21-407-87-50

Spain - Madrid
Tel: 34-91-708-08-90
Fax: 34-91-708-08-91

Sweden - Gothenberg
Tel: 46-31-704-60-40

Sweden - Stockholm
Tel: 46-8-5090-4654

UK - Wokingham
Tel: 44-118-921-5800
Fax: 44-118-921-5820