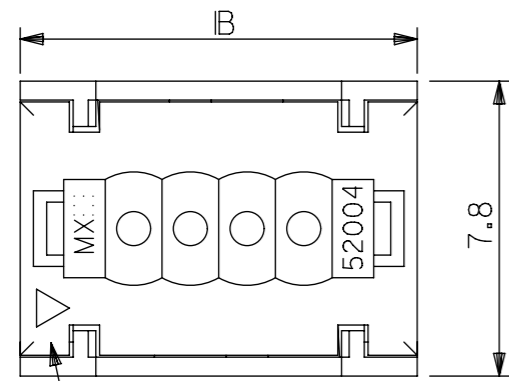
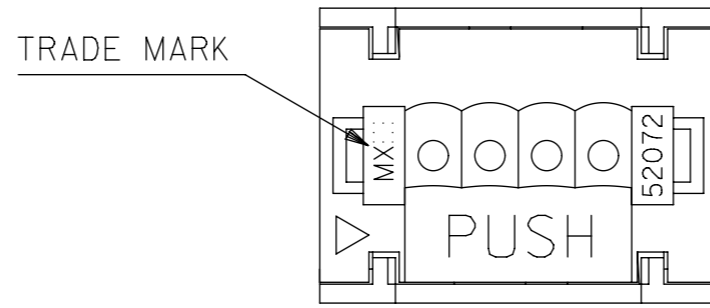


FOR 3~12CKTS.



FOR 13~17CKTS.

(ONLY COVER SHAPE IS DIFFERENT FROM 3~12CKTS.)



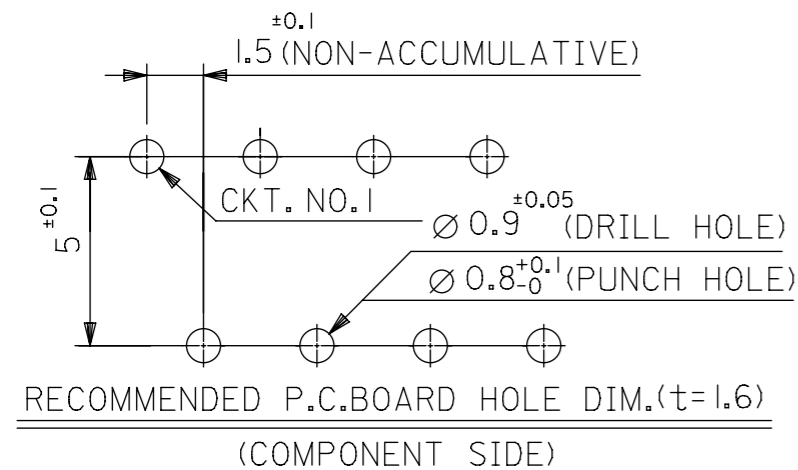
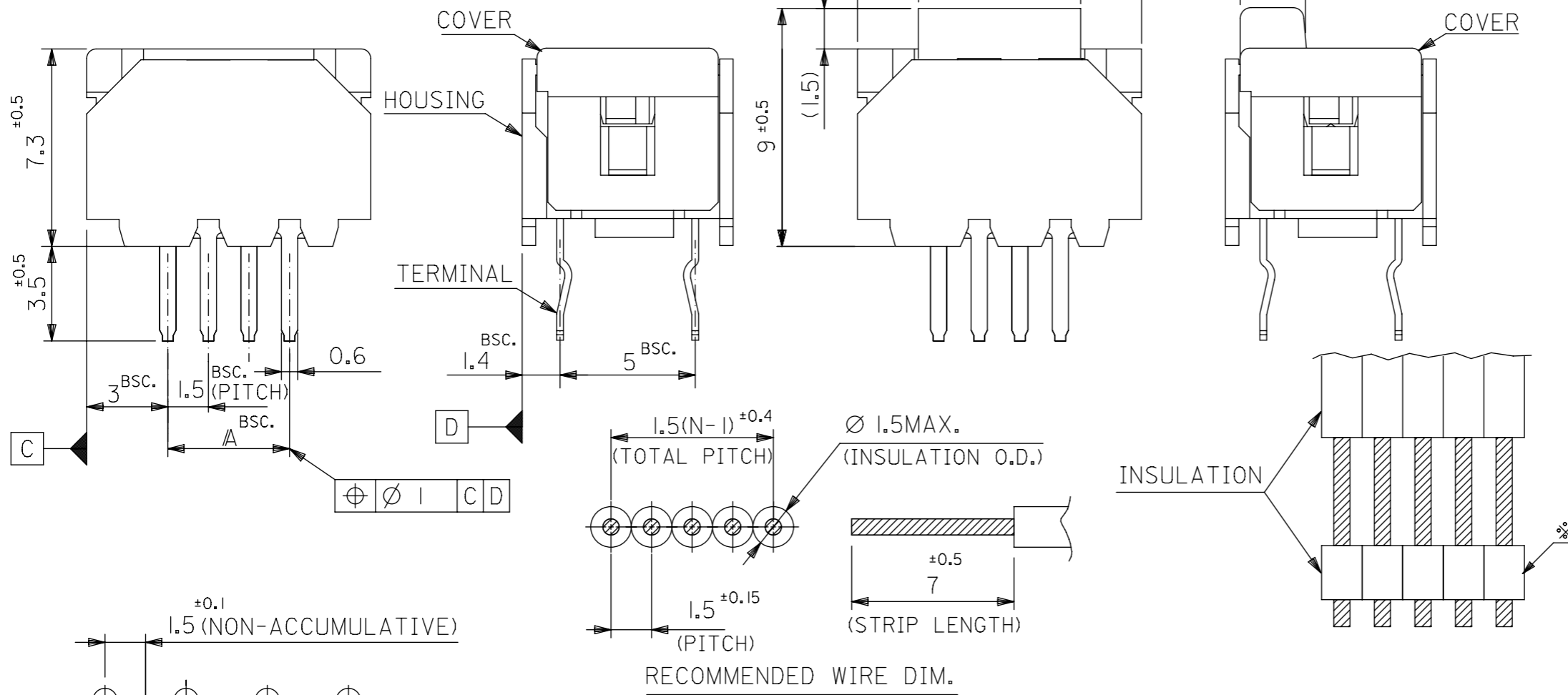
NOTES: 1. MATERIAL

TERMINAL: PHOS-BRO, TIN-PLATED. (t=0.254)  
 HOUSING: PBT(15%G.F.), UL94V-0  
 G.E. PLASTICS JAPAN LTD.  
 VALOX DR-48 UL FILE NO. E45587  
 COVER: PBT(30%G.F.), UL94V-0  
 G.E. PLASTICS JAPAN LTD.  
 VALOX 420-SEO UL FILE NO. E45587

2. APPLICABLE WIRE

1.5 PITCH RIBBON CABLE  
 (UL2468, AWG#24~#26 TOP-COATED WIRE)

3. THE CABLE STRIPED AS SHOWN IN THE FIG.,  
 ※ (MARKED INSULATION) PART SHOULD NOT  
 BE PUSHED AND SLID DIRECTLY BY THE COVER,  
 BECAUSE THE COVER MAY BE POSSIBLY PUSHED DOWN.

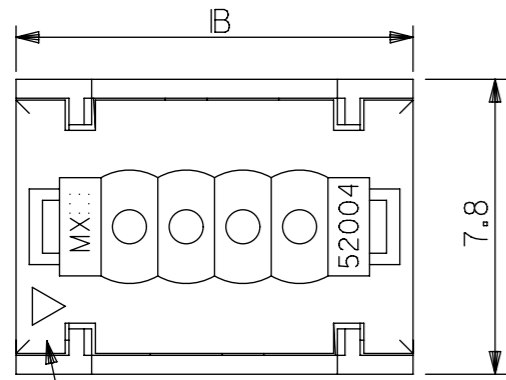


25.5	19.5	52004-1410	14
24	18	52004-1310	13
B	A	ENG. NO.	極数

THIS DRAWING CONTAINS INFORMATION THAT IS PROPRIETARY TO MOLEX ELECTRONIC TECHNOLOGIES, LLC AND SHOULD NOT BE USED WITHOUT WRITTEN PERMISSION			
DIMENSION UNITS: mm		SCALE: 5:1	
CURRENT REV DESC:			
<b>molex</b>			
1.5 WIRE TRAP CONN.			
PRODUCT CUSTOMER DRAWING			
GENERAL TOLERANCES (UNLESS SPECIFIED)		EC NO: 628958	
4 PLACES ±		DRWN: AKUMAR19 2019/04/11	
3 PLACES ±		CHK'D: GGA 2020/01/16	
2 PLACES ±		APPR: GGA 2020/01/16	
1 PLACE ±		INITIAL REVISION:	
0 PLACES ±		DRWN: SKUNISHI 1986/08/27	
ANGULAR TOL ± 3.0°		APPR: MFUKUSHIMA 1993/01/18	
DRAFT WHERE APPLICABLE MUST REMAIN WITHIN DIMENSIONS		THIRD ANGLE PROJECTION	
DRAWING: A3-SIZE		SERIES: 52004	
DOCUMENT NUMBER: SD-52004-XX10		DOC TYPE: PSD	
CUSTOMER: GENERAL MARKET		DOC PART: 001	
SHEET NUMBER: 1 OF 2		REVISION: G	

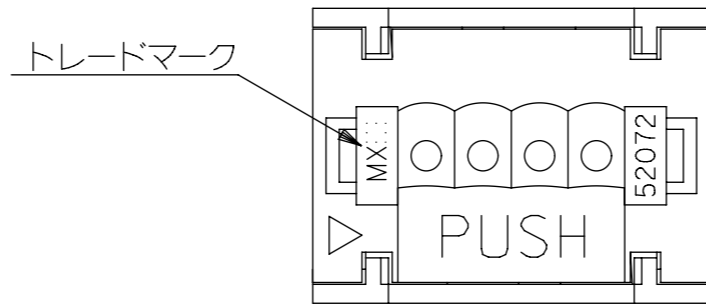
GENERAL TOLERANCES (UNLESS SPECIFIED)	
10 UNDER	±0.2
10 OVER 30 UNDER	±0.25
30 OVER	±0.3

3極から12極の形状



回路NO. 1側マーク

13極から17極の形状  
(カバーの形状のみ異なる)



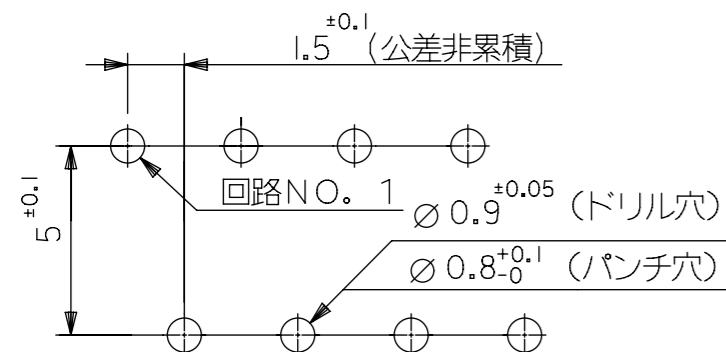
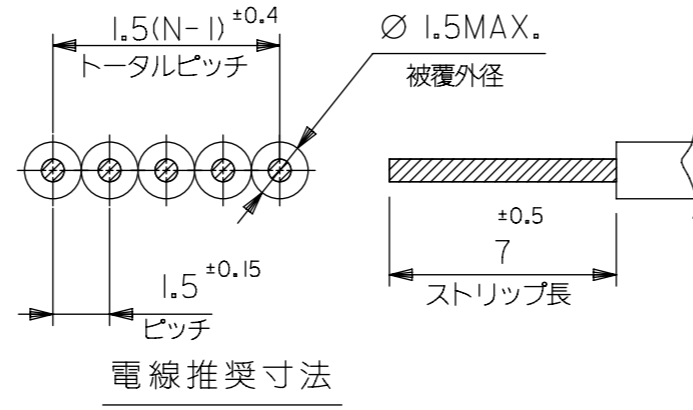
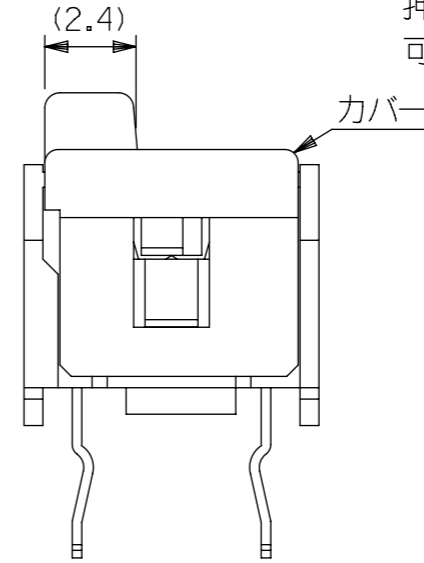
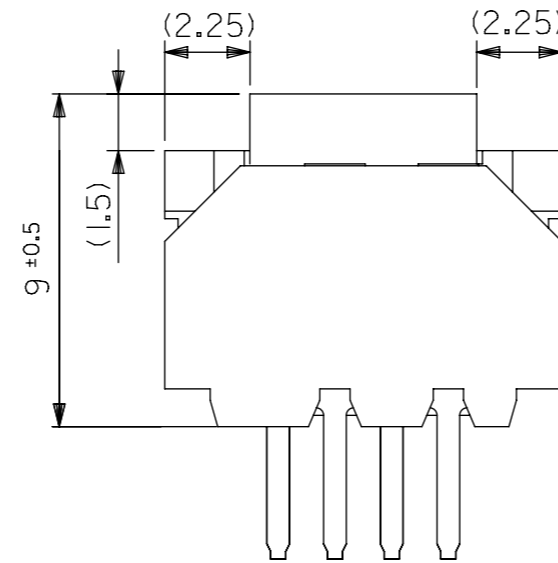
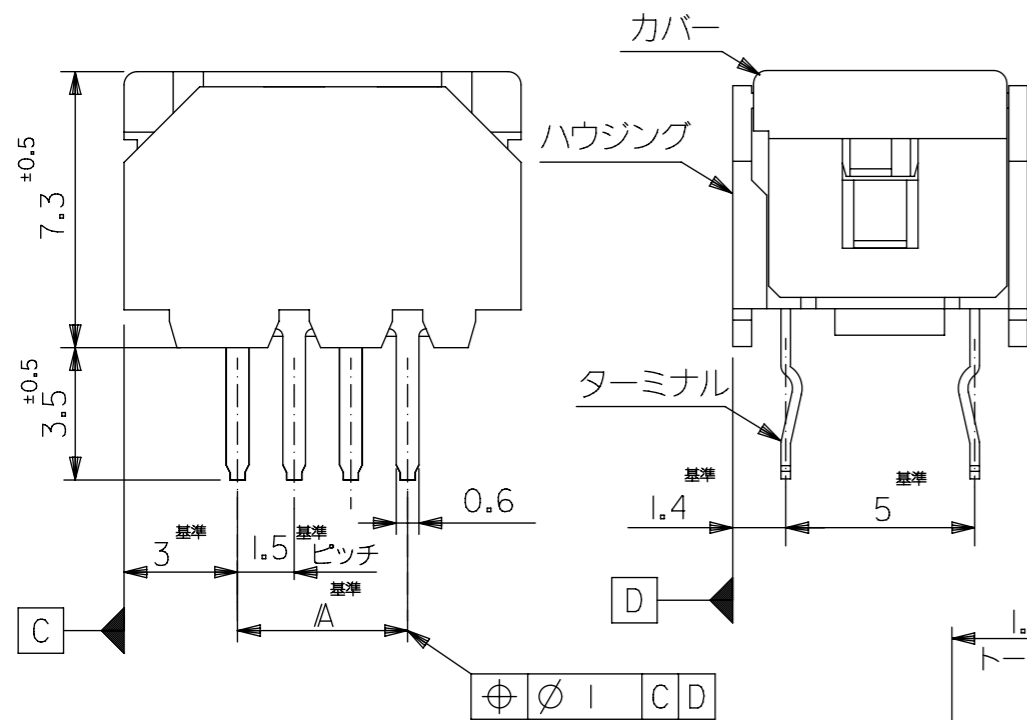
トレードマーク

(注記) 1. 材質

ターミナル: 磷青銅材, 錫メッキ (t=0.254)  
 ハウジング: PBT(15%G.F.), UL94V-0  
 G.E. PLASTICS JAPAN LTD.  
 VALOX DR-48 UL FILE NO. E45587  
 カバー: PBT(30%G.F.), UL94V-0  
 G.E. PLASTICS JAPAN LTD.  
 VALOX 420-SEO UL FILE NO. E45587

2. 適用電線

- 5mmピッチリボンケーブル。  
(UL2468、AWG#24~#26錫コート線)
- 下図の様な末端処理ケーブルにて、※部を直接カバーに押し付けスライドさせる使用法はカバーが押し下げられる可能性があるため不可。



(取付面)

25.5	19.5	52004-1410	14
24	18	52004-1310	13
B	A	ENG NO	極数

THIS DRAWING CONTAINS INFORMATION THAT IS PROPRIETARY TO MOLEX ELECTRONIC TECHNOLOGIES, LLC AND SHOULD NOT BE USED WITHOUT WRITTEN PERMISSION

DIMENSION UNITS: mm		SCALE: 5:1		CURRENT REV DESC:							
GENERAL TOLERANCES (UNLESS SPECIFIED)				<b>molex</b> 1.5 WIRE TRAP CONN. PRODUCT CUSTOMER DRAWING							
4 PLACES		±						EC NO: 628958		2019/04/11	
3 PLACES		±						DRWN: AKUMAR19		2020/01/16	
2 PLACES		±						CHK'D: GGA		2020/01/16	
1 PLACE		±						APPR: GGA		2020/01/16	
0 PLACES		±		INITIAL REVISION:							
ANGULAR TOL ± 3.0°		DRAFT WHERE APPLICABLE MUST REMAIN WITHIN DIMENSIONS		THIRD ANGLE PROJECTION		DRAWING: A3-SIZE					
10 UNDER		±0.2		DRWN: SKUNISHI		1986/08/27					
10 OVER 30 UNDER		±0.25		APPR: MFUKUSHIMA		1993/01/18					
30 OVER		±0.3		DOCUMENT NUMBER		DOC TYPE					
				SD-52004-XX10		PSD 001 G					
				MATERIAL NUMBER		CUSTOMER					
				SEE TABLE		GENERAL MARKET					
				SHEET NUMBER		2 OF 2					