

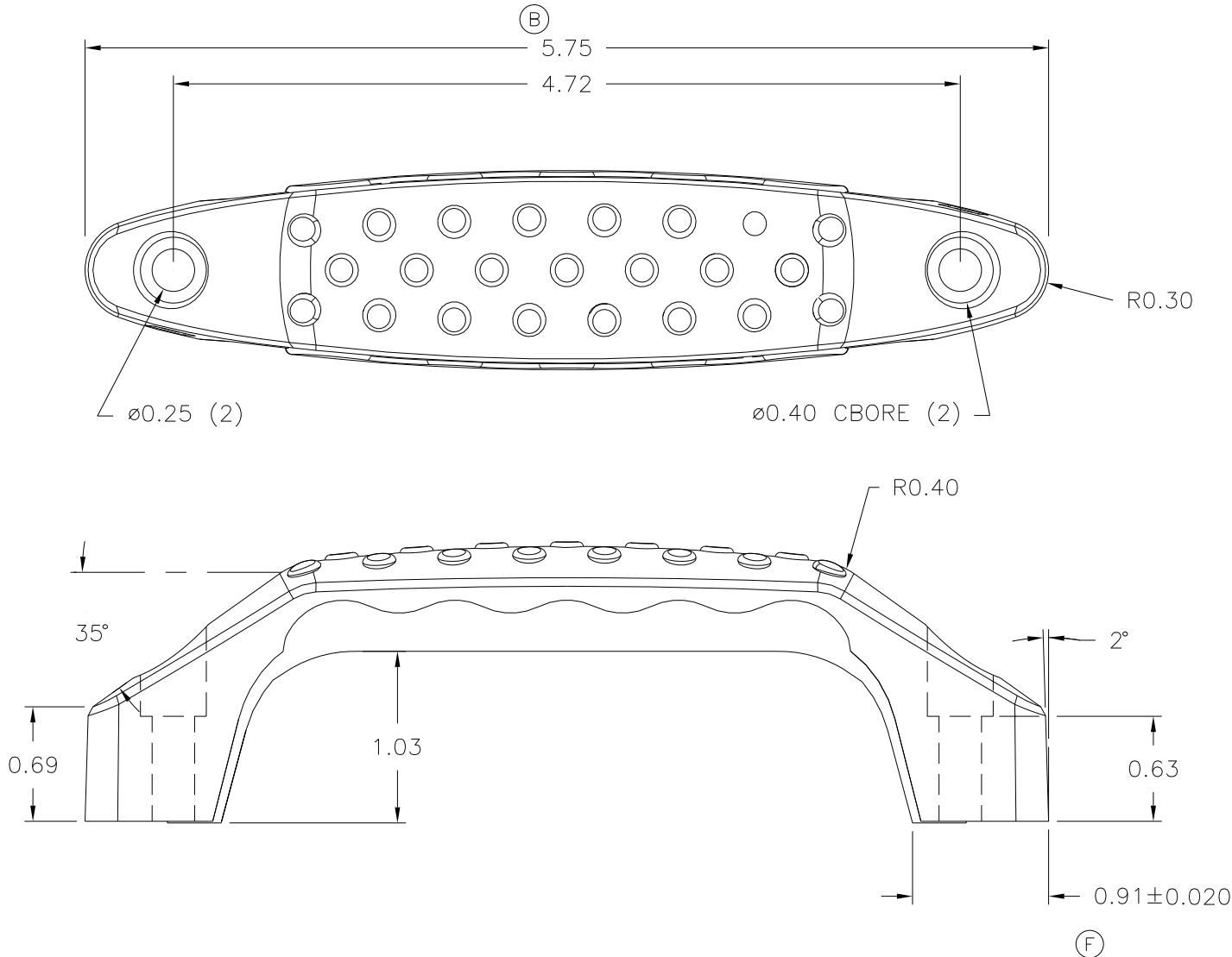
PART NAME: HANDLE SCALE: 1:1 DATE: 9/16/04 DR. BY JAM

THIS DRAWING IS THE PROPERTY OF DAVIES MOLDING COMPANY, IS SUBMITTED SOLELY AS A DESIGN OR ENGINEERING PROJECT. WE ACCEPT NO RESPONSIBILITY WHATSOEVER FOR THE PRACTICAL APPLICATION OF THE PIECES MADE TO THIS DESIGN.



DESIGNERS & MANUFACTURERS OF KNOBS, HANDLES, CASES & CUSTOM PLASTIC COMPONENTS

P/N	4570BB
M NO.	4570
PIN	4570
INSERT	NONE



(C) SUBSTRATE MATERIAL: 33% GLASS FILLED NYLON (CL5) (A) (D)
 COLOR: BLACK (PC-301) (D) (E)
 OVERMOLD MATERIAL: TPE (TPE1) (H)
 COLOR: BLACK (PC-301) (C)

TOLERANCES: UNLESS OTHERWISE SPECIFIED	DO NOT SCALE DRAWING
DECIMALS: X.XXX ± .005 X.XX ± .015	MM: X.XX ± 0.15MM X.X ± 0.4MM
FRACTIONS ± 1/64	ANG. ± 1°

H	REMOVED PP	JAM	2/16/16
G	WAS PC8195	JAM	10/15/15
F	WAS 0.82	JAM	8/11/14
E	ADDED PP	JAM	3/8/13
D	WAS (BD1), ADDED COLOR #	JAM	10/12/09
C	ADDED COLOR CODE UPDATED MATERIALS	DS	10/4/06
B	WAS 5.78	JAM	5/25/05
A	WAS SANTOPRENE	JAM	5/19/05

CHANGES