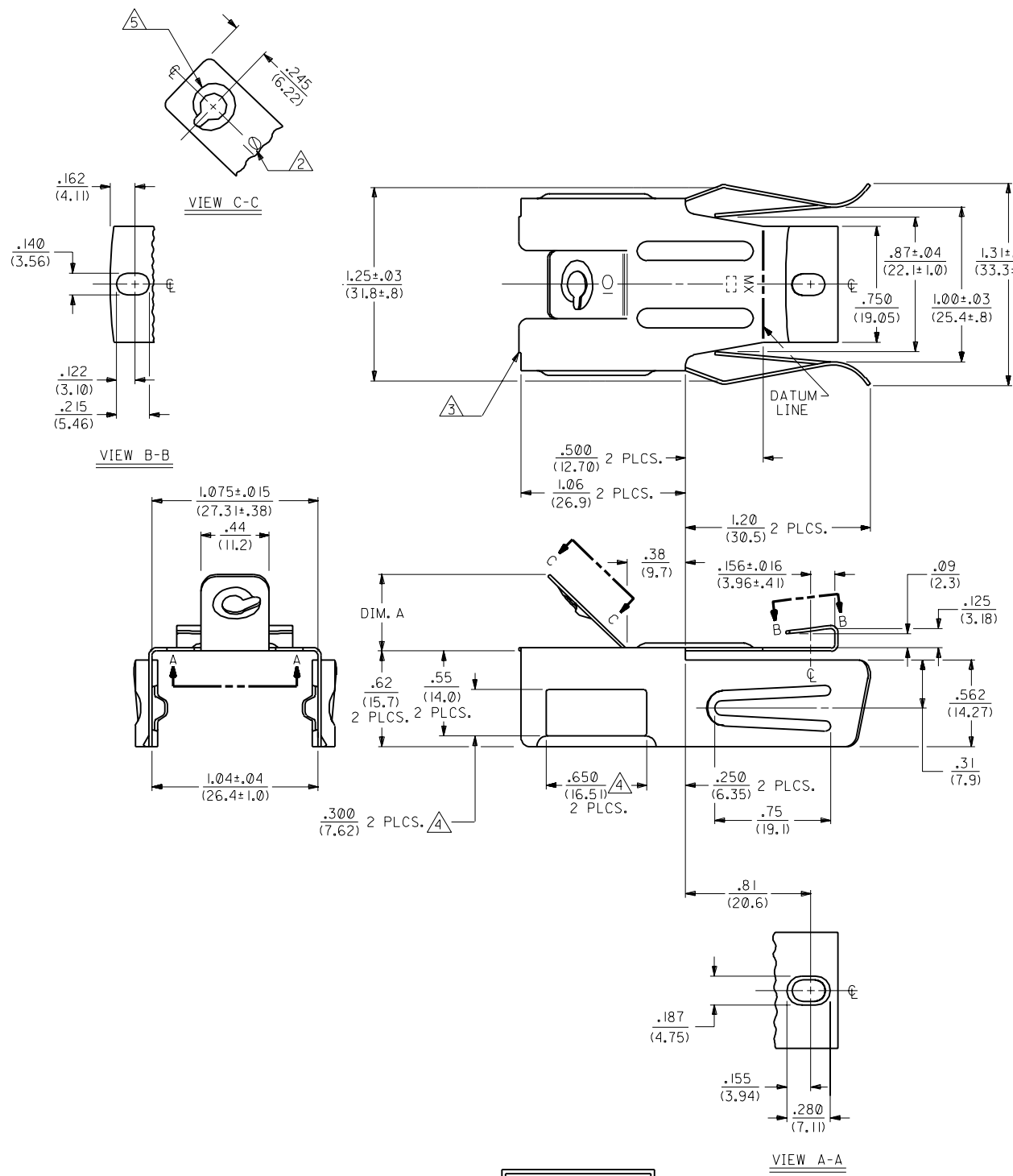


NOTES:

- I. THESE MOUNTING CLIPS ARE FOR HOLDING THE 2481 SERIES HOUSINGS TO THE MAIN PANEL TOPS OF ELECTRIC RANGES.
- △1 SCREW SIZE INDICATION.
- △2 .015/(.38) MAXIMUM CUT OFF.
- △4 .010/(.25) MAXIMUM MISMATCH.
- △5 THREAD FORM FOR A #10-32 SCREW.
- △6 THIS SURFACE MAY BE FORMED IN THIS DIRECTION A MAXIMUM OF 5°.



2589-ID-10

MATERIAL:

STEEL, STAINLESS, TYPE 301, .020/(.5) THICK.

AC	OBSOLETE P/N UCR2002-0255 01/9/12 COMERCI
AB2	REMOVED NOTCH UCR2000-0104 8/11/99 COMERCI
AB1	REV. RADII UCR2000-0086 8/05/99 COMERCI
AB	REVISED UCR 1999-0818 6/03/99 ELHAG
AA	REVISED ECN U4 0744 6/16/94 RHR
Z	REVISED ECN U4 0213 2/14/94 RHR
Y	REVISED ECN U3 0739 5/13/93 RHR
X	REDRAWN & REDIM. ECN U2 1712 11/25/92 RHR

3	AB
2	Z
1	AC

DIMENSIONS SHOWN (METRIC) INCH  
UNLESS OTHERWISE SPECIFIED  
TOLERANCES ANGULAR ± DMS 5°

3 PLACE ± .010	---
2 PLACE ± .014	± 0.25
1 PLACE ---	± 0.35

DRAFT WHERE APPLICABLE MUST REMAIN WITHIN DIMENSIONS

DRWG. BY: RHR CHK'D BY: ESS  
APP'D BY: RAS SCALE: 2: 1

FILE NAME: SD2589X1.DWG  
MOLX INC. AND SHOULD NOT BE USED WITHOUT WRITTEN PERMISSION

PART NO. SD-2589-1  
DRWG. NO. 1 of 3  
DATE: 11/20/92  
SHEET NO. U.S.A.

REVISIONS

MFG. SH. REV. LTR. REVISIONS

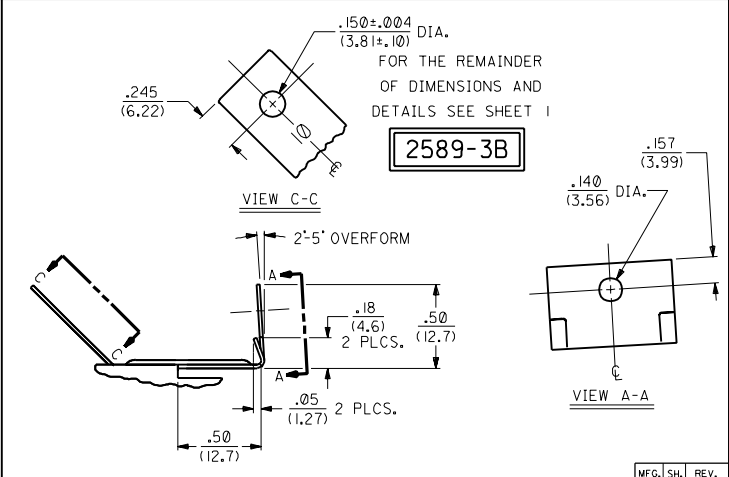
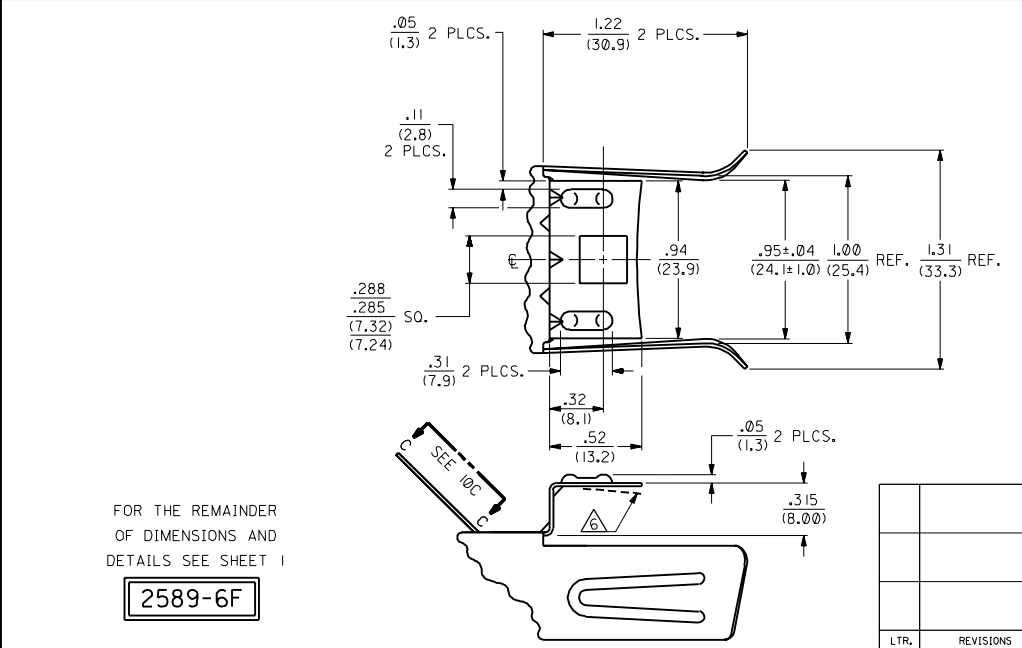
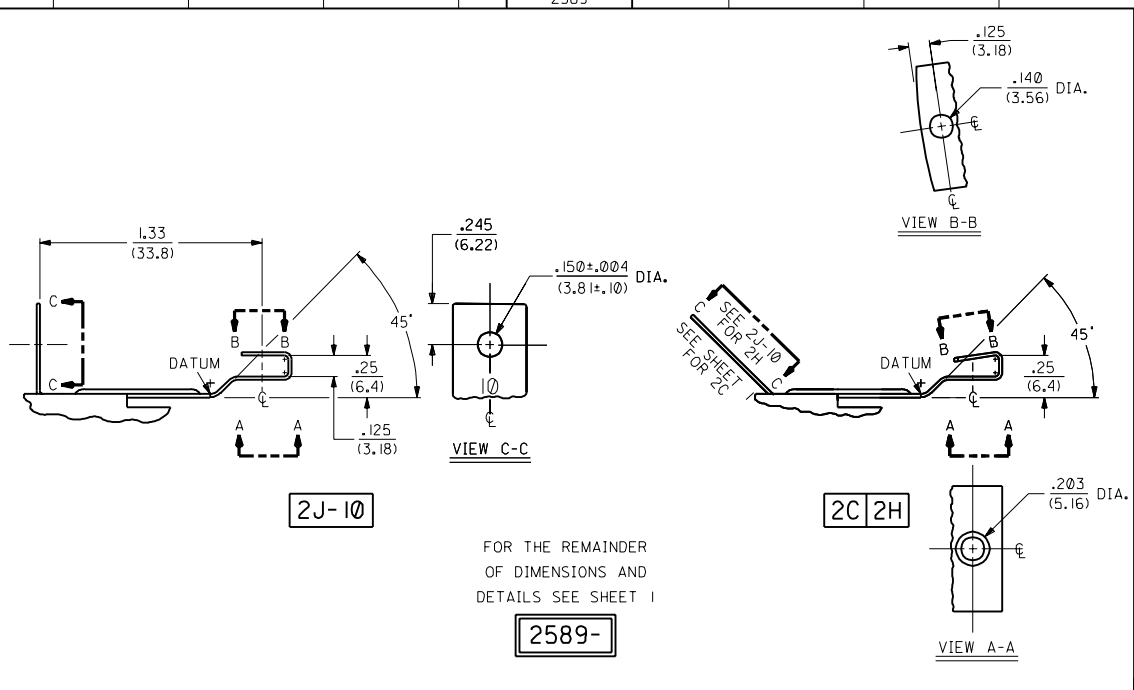
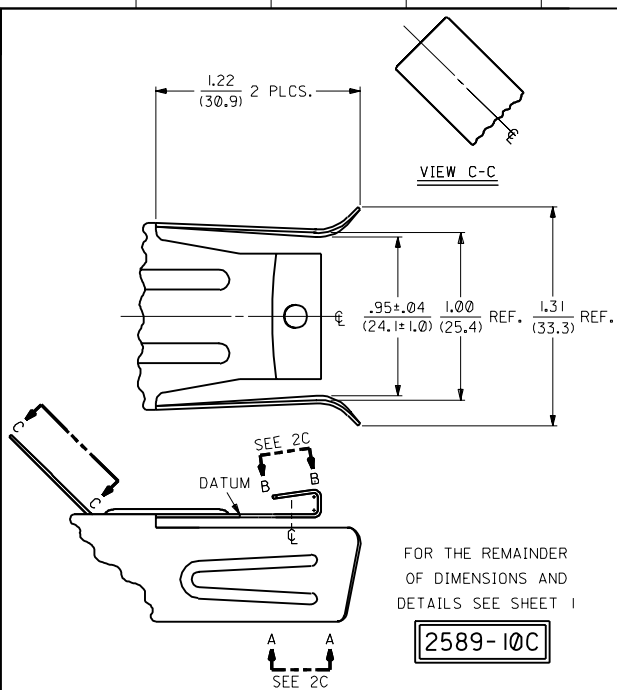
REVISE ONLY ON CAD SYSTEM

TITLE: MOUNTING CLIP

MOLEX INCORPORATED  
1151E.ILL. 60532 U.S.A.

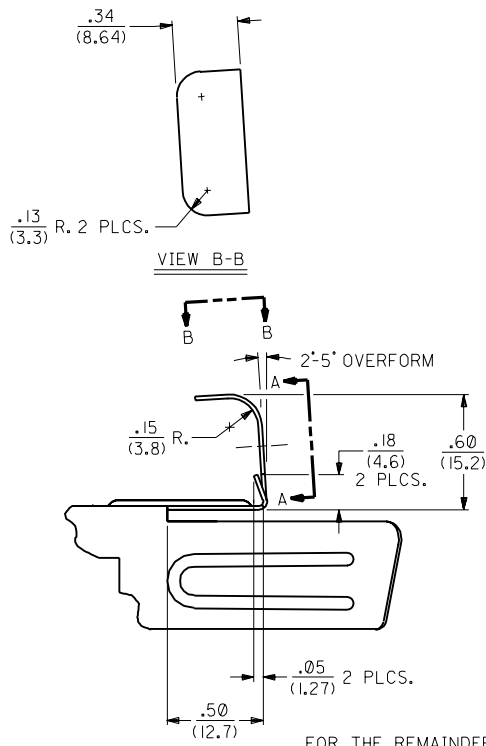
SEE SHEET 3 SD-2589-\*

NO P.S.

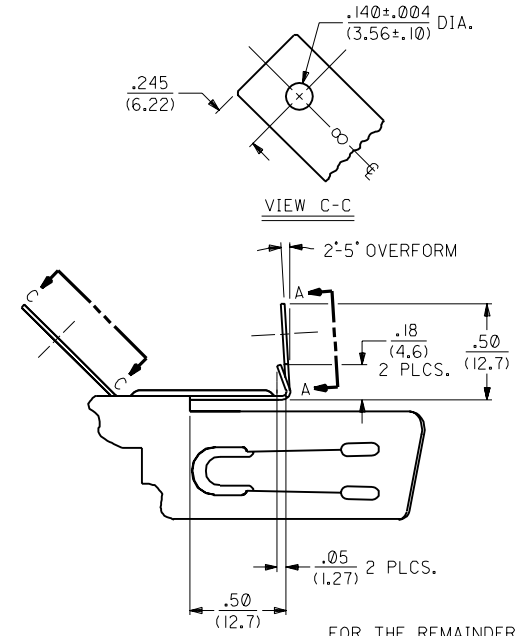
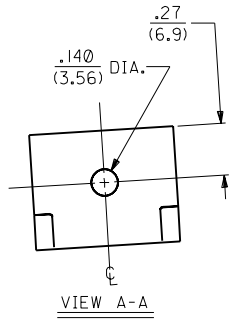


Z	SEE SHEET I	DIMENSIONS SHOWN METRIC ( ) INCH		▽ = 0 ▼ = 0	REVISE ONLY ON CAD SYSTEM
Y	SEE SHEET I	UNLESS OTHERWISE SPECIFIED TOLERANCES: ANGULAR 1 DEG 5'		TITLE	
X	SEE SHEET I	INCH METRIC		MOUNTING CLIP	
LTR.	REVISIONS	LTR.	REVISIONS	MOLEX INCORPORATED	SHEET NO. 2 DATE 11/20/92
				FILE NAME SD2589X2	DRWG. NO. SD-2589-0
				APP'D: RAS	SCALE 2:1
				CHK'D: ESS	SIZE CP
				BY: RAS	SIZE CP

PART NO.	ENG. NO.	DIMENSION	
		A	
089-00-2006	2589-1D-10	.48±.025 (12.2±.64)	
089-00-2022	2589-2C	.53±.025 (13.5±.64)	
089-00-2025	2589-2H	.656±.025 (16.66±.64)	
089-00-2027	2589-2J-10	.562±.025 (14.27±.64)	
089-00-2041	2589-3B	.48±.025 (12.2±.64)	
089-00-2047	2589-6F	.375±.015 (9.53±.38)	
089-00-2100	2589-10C	.48±.025 (12.2±.64)	
089-00-2101	2589-21A	.62±.025 (15.7±.64)	<b>OBSOLETE</b>
089-00-2103	2589-23	.62±.025 (15.7±.64)	



FOR THE REMAINDER  
OF DIMENSIONS AND  
DETAILS SEE SHEET I  
**2589-23**



FOR THE REMAINDER  
OF DIMENSIONS AND  
DETAILS SEE SHEET I  
**2589-21A** **OBSOLETE**

LTR.		REVISIONS		LTR.		REVISIONS	
		AA	SEE SHEET I				
		Z	SEE SHEET I				
AB	SEE SHEET I	X	SEE SHEET I				

DRAWN BY: RHR		CHK'D BY: ESS		APP'D BY: RAS		SCALE: 2: 1	
DIMENSIONS SHOWN (METRIC) INCH UNLESS OTHERWISE SPECIFIED TOLERANCES: ANGULAR ± .1°				3 PLACE ± .010 2 PLACE ± .014 ± 0.25 1 PLACE --- ± 0.35			
DRAFT WHERE APPLICABLE MUST REMAIN WITHIN DIMENSIONS				DRAFT WHERE APPLICABLE MUST REMAIN WITHIN DIMENSIONS			
MFG. SH. REV.		REVISE ONLY ON CAD SYSTEM		TITLE		MOUNTING CLIP	
PART NO. SD2589X3		DRWG. NO. SD-2589-*		SHEET NO. 3		DATE 2/24/93	
FILE NAME SD2589X3.DGN		MOLEX INC. AND SHOULD NOT BE USED WITHOUT WRITTEN PERMISSION.		DIV. CP		SIZE C	