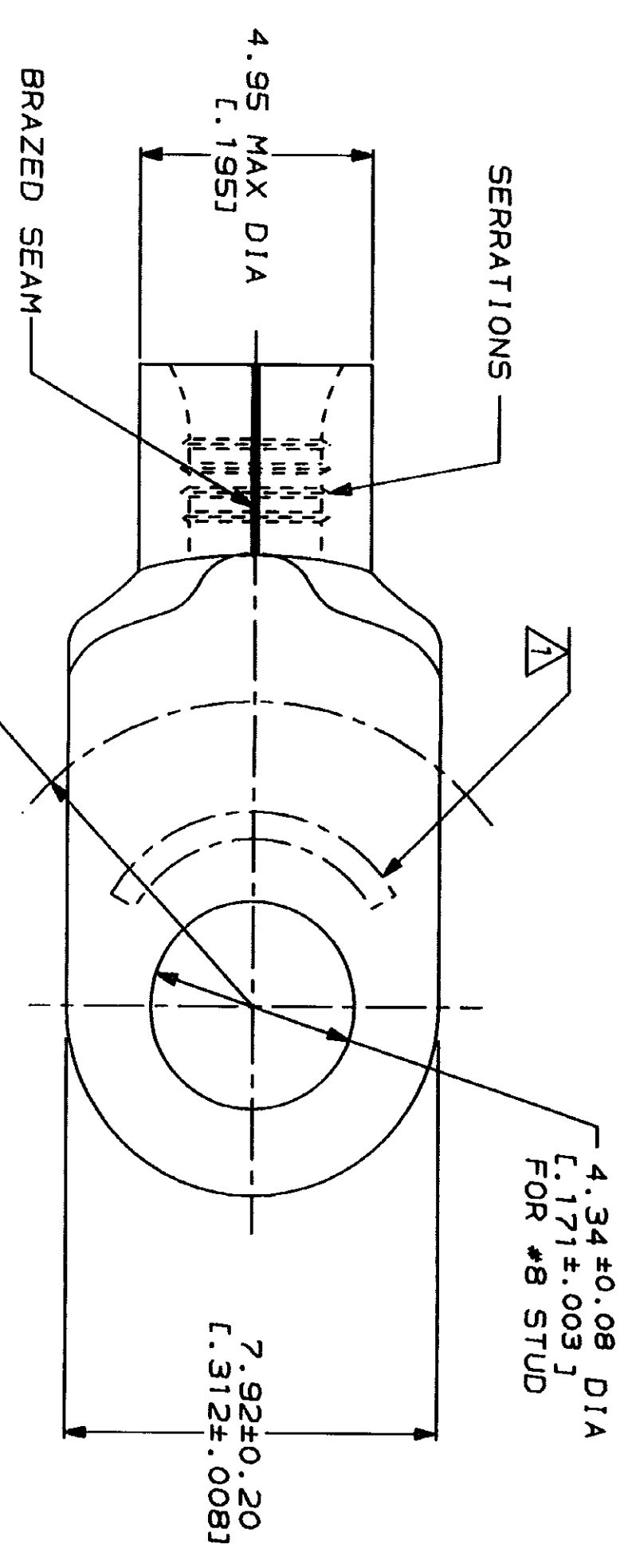
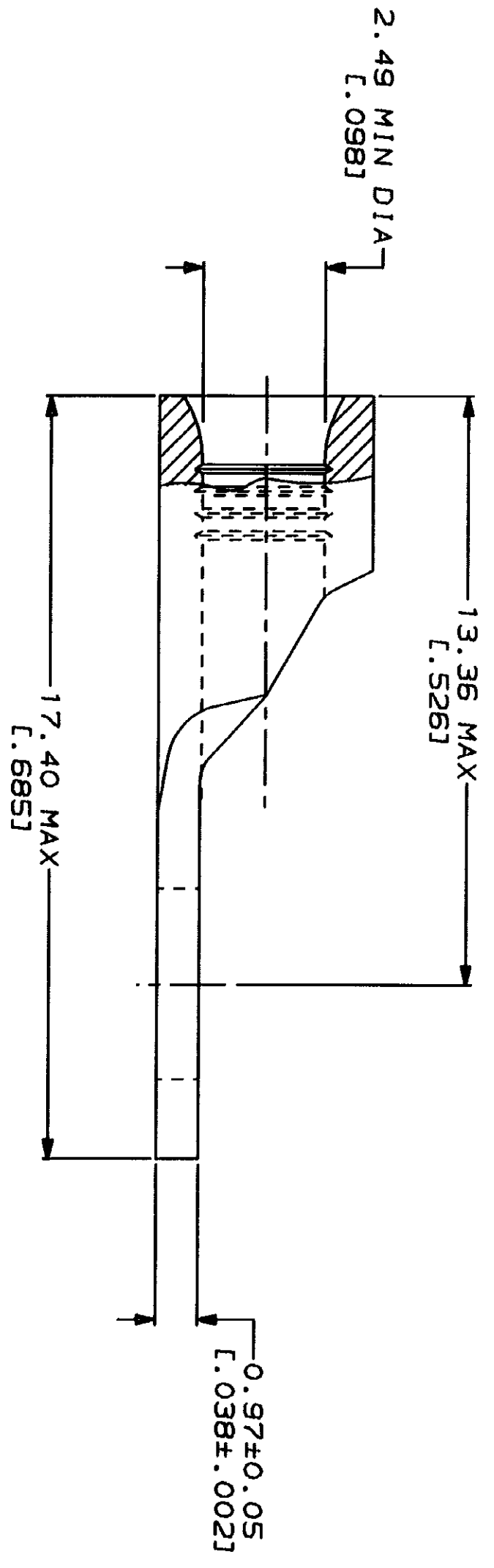


LOC	DIST	ZONE	LTR	REVISIONS	DESCRIPTION	DATE	APPD
G	14			6	REVISED PER 0720-0033-94	3/8/94	AMP

**METRIC**  
DIMENSIONS LISTED IN MM [ INCHES ]



<b>AMP</b> WIRE RANGE 14-12 AWG SOLID OR STRANDED	<b>UL</b> E13288 Listed 14-12 AWG STRANDED
<b>LR7189</b> Certified 14-12 AWG SOLID OR STRANDED	MILITARY P/N AND CLASS NOT APPLICABLE



AMP INCORPORATED  
CUSTOMER SERVICE SYSTEMS

FOR ADDITIONAL PRODUCT INFORMATION OR COPIES OF DRAWINGS AND TECHNICAL DOCUMENTS	PRODUCT INFORMATION CENTER 1-800-522-6752	MAX RECOMMENDED OPERATING TEMPERATURE: 170°C MAX
FOR APPLICATION TOOLING INFORMATION	TOOLING ASSISTANCE CENTER 1-800-722-1111	VOLTAGE RATING: NOT APPLICABLE
FOR ORDER ENTRY	1-800-526-5142	WIRE CROSS SECTIONAL AREA RANGE: 1.65-4.17mm² [3,260-9,230] CIR MILS SOLID OR STRANDED

DO NOT SCALE PRINT.  
UNLESS SPECIFIED  
DIMENSIONS IN mm (INCHES)  
TOLERANCES ON:  
2 PLG DEC ± .1  
3 PLG DEC ± .1  
ANGLES  
MATERIAL  
COPPER PER  
ASTM B-152  
ANNEALED

DR 3/8/94 DK SCHRUM	DR 3/8/94 DK SCHRUM	DR 3/8/94 DK SCHRUM
CHK 3/9/94 DA PATTERSON	CHK 3/9/94 DA PATTERSON	CHK 3/9/94 DA PATTERSON
APPD 3/9/94 CH KILWYCH	APPD 3/9/94 CH KILWYCH	APPD 3/9/94 CH KILWYCH
APPD 3/9/94 JL NECKLEY	APPD 3/9/94 JL NECKLEY	APPD 3/9/94 JL NECKLEY
PRODUCT SPEC	PRODUCT SPEC	PRODUCT SPEC
APPLICATION SPEC	APPLICATION SPEC	APPLICATION SPEC
FINISH TIN PLATE 0.00254(L.000100) MIN THK PER MIL-T-10727	FINISH TIN PLATE 0.00254(L.000100) MIN THK PER MIL-T-10727	FINISH TIN PLATE 0.00254(L.000100) MIN THK PER MIL-T-10727

**AMP**  
AMP Incorporated  
Harrisburg, PA 17105-3608

TERMINAL, RING TONGUE,  
SOLISTRAND™

OBSOLETE	2500	ON TAPE	1-321827-0
QUANTITY	---	LOOSE PIECE	321827
PACKAGING TYPE		PART NO	
SCALE	8:1	CAGE CODE	00779
SCALE	8:1	DRAWING NO	321827
SCALE	8:1	SHEET	1 OF 1