

NOTES:

- MATERIAL:
METAL SHELL: BRASS
HOUSING: POLYAMIDE, UL94 V-0, COLOR BLACK
INSERT: POLYAMIDE, UL94 V-0, COLOR BLACK
TERMINAL: PHOSPHOR BRONZE
- PLATING:
TERMINAL:
CONTACT AREA: GOLD(Au), THICKNESS=50 MICROINCH/1.27 MICROMETER
SOLDER TAIL: TIN(Sn), THICKNESS=100 MICROINCH MINIMUM
UNDER PLATE: NICKEL (Ni), THICKNESS=50 MICROINCH/1.27 MICROMETER
METAL SHELL:
SOLDER AREA: TIN(Sn), THICKNESS=100 MICROINCH MINIMUM
UNDER PLATE: NICKEL (Ni), (SOLDERING AVAILABLE)
SURFACE APPEARANCE: BRIGHT.
- RECOMMENDED PCB THICKNESS: 1.60±0.05
- PRODUCT SPECIFICATION REFER TO PS-48025-002
- TEST SUMMARY REFER TO TS-48025-005
- PACKAGING SPECIFICATION REFER TO PK-48025-001
- LEAD FREE AND ROHS COMPLIANCE PRODUCT.

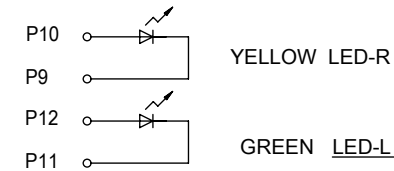
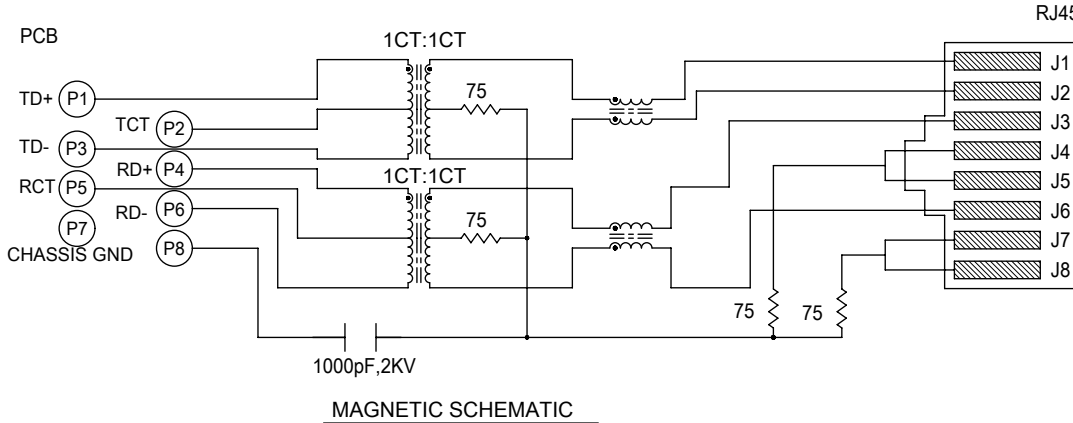
THIS DRAWING CONTAINS INFORMATION THAT IS PROPRIETARY TO MOLEX ELECTRONIC TECHNOLOGIES, LLC AND SHOULD NOT BE USED WITHOUT WRITTEN PERMISSION									
SYMBOLS		DIMENSION UNITS		SCALE		CURRENT REV DESC:			
A = 0		mm		1:1		EC NO: 637574			
E = 0		GENERAL TOLERANCES (UNLESS SPECIFIED)				DRWN: CCHEN103 2019/08/30			
F = 0		ANGULAR TOL ± 3.0°				CHK'D: SHLENI 2020/05/28			
S = 0		4 PLACES		±		APPR: SHLENI 2020/05/28			
V = 0		3 PLACES		±		INITIAL REVISION:			
W = 0		2 PLACES		± 0.25		DRWN: ALLIN 2005/08/01			
X = 0		1 PLACE		± 0.25		APPR: WWSCHANG 2005/08/02			
Y = 0		0 PLACES		±		DRAFT WHERE APPLICABLE MUST REMAIN WITHIN DIMENSIONS		THIRD ANGLE PROJECTION	
Z = 0						DRAWING		SERIES	
						A4-SIZE		48025	
DOCUMENT STATUS				P1		RELEASE DATE		2020/05/28 00:36:56	
DOCUMENT NUMBER				SD-48025-005		DOC TYPE		PSD	
DOC PART				001		REVISION		C1	
CUSTOMER				GENERAL MARKET		MATERIAL NUMBER		48025-4000	
SHEET NUMBER				1 OF 2		GENERAL MARKET		1 OF 2	

MAGNETIC ELECTRICAL SPECIFICATIONS:

- 1.0 TURNS RATIO:(P4-P5-P6):(J3-J6):1CT:1CT
(P3-P2-P1):(J1-J2):1CT:1CT
- 2.0 INDUCTANCE:(P4-P6):350uH MIN. @0.1V,100KHz,8mA DC Bias.
(P3-P1):350uH MIN. @0.1V,100KHz,8mA DC Bias.
- 3.0 LEAKAGE INDUCTANCE:P6-P5-P4(WITH J6 AND J3 SHORT):0.3 MAX.@1MHz.
P3-P2-P1(WITH J2 AND J1 SHORT):0.3 MAX.@1MHz.
- 4.0 INTERWINDING CAPACITANCE:(P6,P5,P4) TO (J6,J3):30pf MAX @1MHz.
(P3,P2,P1) TO (J2,J1):30pf MAX @1MHz.
- 5.0 DC RESISTANCE:(J6-J3)=(J2-J1):1.3 ohms Max.
- 6.0 RETURN LOSS:(P4-P6)(P1-P3)
1MHz TO 30MHz:18dB min.
30MHz TO 80MHz:12dB min.
- NOTE:100 OHMS CONNECTED TO (J2-J1) OR (J3-J6).
- 7.0 HI-POT:(J1,J2) TO (P1,P3):1500 VAC OR 2250 VDC.
(J3,J6) TO (P4,P6):1500 VAC OR 2250 VDC.
- 8.0 INSERTION LOSS:1.1 dB MAX.
100KHz TO 100MHz.
- 9.0 CROSS TALK:1-100 MHz:30 dB MIN.
- 10.0 COMMON TO COMMON MODE REJECTION:1MHz TO 100MHz:35 dB MIN.

LED ELECTRICAL SPECIFICATION

PARAMETER	YELLOW (TYP.)		GREEN (TYP.)		UNITS	TEST CONDITIONS
POWER DISSIPATION	105		105		mW	
REVERSE VOLTAGE	5		5		V	
PEAK WAVELENGTH	585		565		nm	IF=20mA
FORWARD VOLTAGE	2.1	MAX.=2.5	2.2	MAX.=2.5	V	IF=20mA



LED SCHEMATIC

SYMBOLS 	THIS DRAWING CONTAINS INFORMATION THAT IS PROPRIETARY TO MOLEX ELECTRONIC TECHNOLOGIES, LLC AND SHOULD NOT BE USED WITHOUT WRITTEN PERMISSION		CURRENT REV DESC:		 MODULAR JACK WITH INTEGRATED MAGNETICS LED (LEAD FREE VERSION) PRODUCT CUSTOMER DRAWING				
	DIMENSION UNITS	SCALE						EC NO: 637574	
	mm	1:1	DRWN: CCHEN103 2019/08/30						
	GENERAL TOLERANCES (UNLESS SPECIFIED)		CHK'D: SHLENI 2020/05/28		DOCUMENT NUMBER			DOC TYPE	DOC PART
ANGULAR TOL ± 3.0°		APPR: SHLENI 2020/05/28		SD-48025-005			PSD	001	C1
4 PLACES ±		INITIAL REVISION:		MATERIAL NUMBER			CUSTOMER		SHEET NUMBER
3 PLACES ±		DRWN: ALLIN 2005/08/01		48025-4000			GENERAL MARKET		2 OF 2
2 PLACES ± 0.25		APPR: WWSCHANG 2005/08/02		SERIES			A4-SIZE		
1 PLACE ± 0.25		DRAFT WHERE APPLICABLE MUST REMAIN WITHIN DIMENSIONS		48025			THIRD ANGLE PROJECTION		
0 PLACES ±				DRAWING					

DOCUMENT STATUS	P1	RELEASE DATE	2020/05/28	00:36:56
-----------------	----	--------------	------------	----------