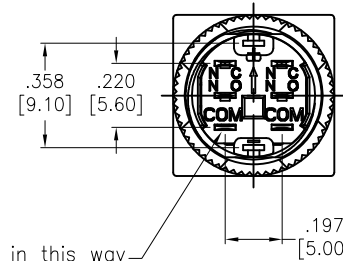
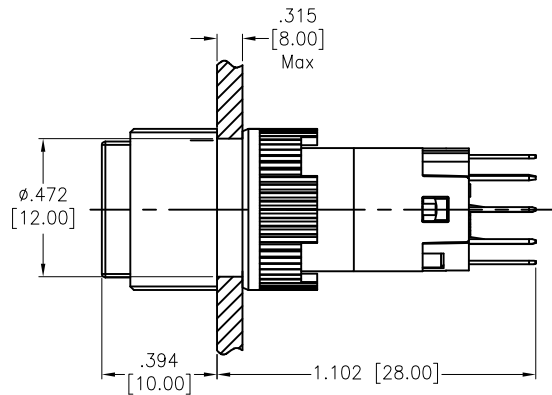
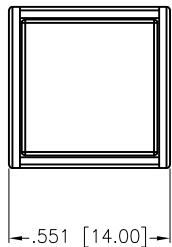
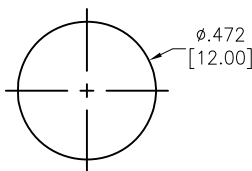


APPROVED: \_\_\_\_\_  
 DATE: \_\_\_\_\_ TITLE: \_\_\_\_\_

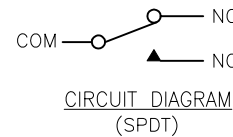
| Rev | AWO # | Description | Date    | Appr |
|-----|-------|-------------|---------|------|
| -   |       | RELEASED    | 4/12/21 |      |



1N01NC in this way



RECOMMENDED  
 PANEL CUT-OUT  
 Max. Panel thickness  
 .315" [8.0mm]



SW-PB5-AB3BX1X-IP40-8

| LED Ring Color |        |
|----------------|--------|
| R              | Red    |
| G              | Green  |
| Y              | Yellow |
| O              | Orange |
| B              | Blue   |
| W              | White  |

| LED Voltage |                         |
|-------------|-------------------------|
| 1.8V        | 1.8V AC/DC (Red/Yellow) |
| 2.8V        | 2.8V AC/DC (Green/Blue) |
| 6V          | 6V AC/DC                |
| 12V         | 12V AC/DC               |
| 24V         | 24V AC/DC               |
| 110V        | 110V AC                 |
| 220V        | 220V AC                 |

SPECIFICATIONS:

Material:  
 Base: PBT  
 Button: PC  
 Body: PC  
 Contact Material: Silver Alloy  
 Electrical:  
 Switch Rating: 0.1A @ 220V DC  
 0.5A @ 220V AC;  
 Contact resistance: 50 mΩ max.  
 Insulation resistance: 100M ohms min.  
 Dielectric withstanding voltage: 1500V RMS, 50Hz.  
 Electrical Life: 50,000 cycles min at full load.  
 Temperature Rating:  
 Operating temperature: -25°C to +55°C  
 Environmental:  
 Sealed IP40 Rated  
 Lead free, RoHS compliant



|   |              |         |
|---|--------------|---------|
| UNLESS OTHERWISE SPECIFIED<br>ALL DIMENSIONS ARE INCHES [MM]<br>TOLERANCES: EXCEPT AS NOTED |              |         |
| INCHES  |              | HOLES   |
| .X ± .10  | Ø.X ± .10    |         |
| .XX ± .020  | Ø.XX ± .015  |         |
| .XXX ± .015   | Ø.XXX ± .010 |         |
| APPROVALS   |              | DATE    |
| DRAWN   | WX           | 4/12/21 |
| CHECKED   | AC           | 4/12/21 |
| APPROVED  |              |         |



909 Rahway Avenue,  
 Union, NJ 07083  
 Phone: 908-687-5000  
 Fax: 908-687-5710

TITLE  
 INDUSTRIAL, PUSH BUTTON, SWITCH, SPDT,  
 12mm DIA., LIGHTED, MOMENTARY N.O.-N.C.

|           |                                   |              |
|-----------|-----------------------------------|--------------|
| SIZE<br>X | PART NO.<br>SW-PB5-AB3BX1X-IP40-8 | REV.<br>-    |
| REF: -    | SCALE: NTS                        | SHEET 1 OF 1 |