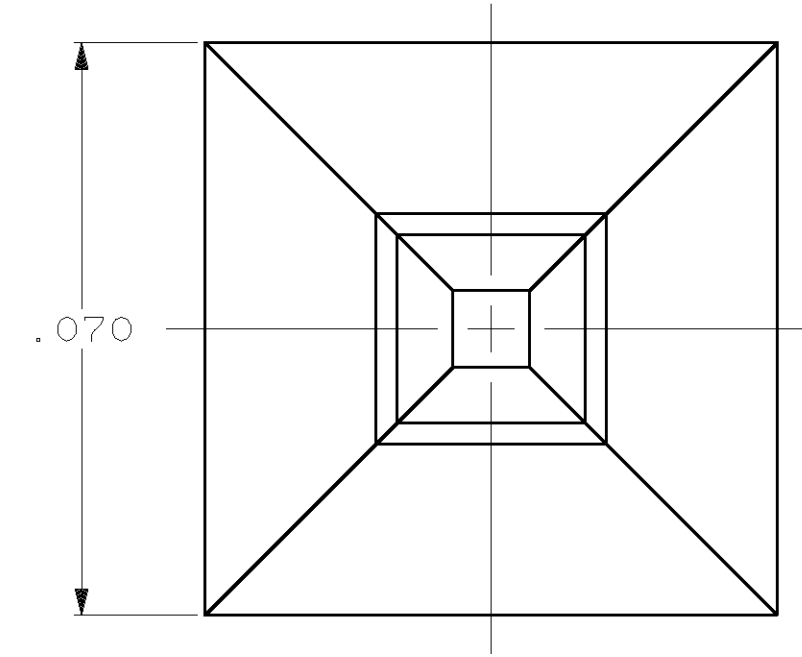
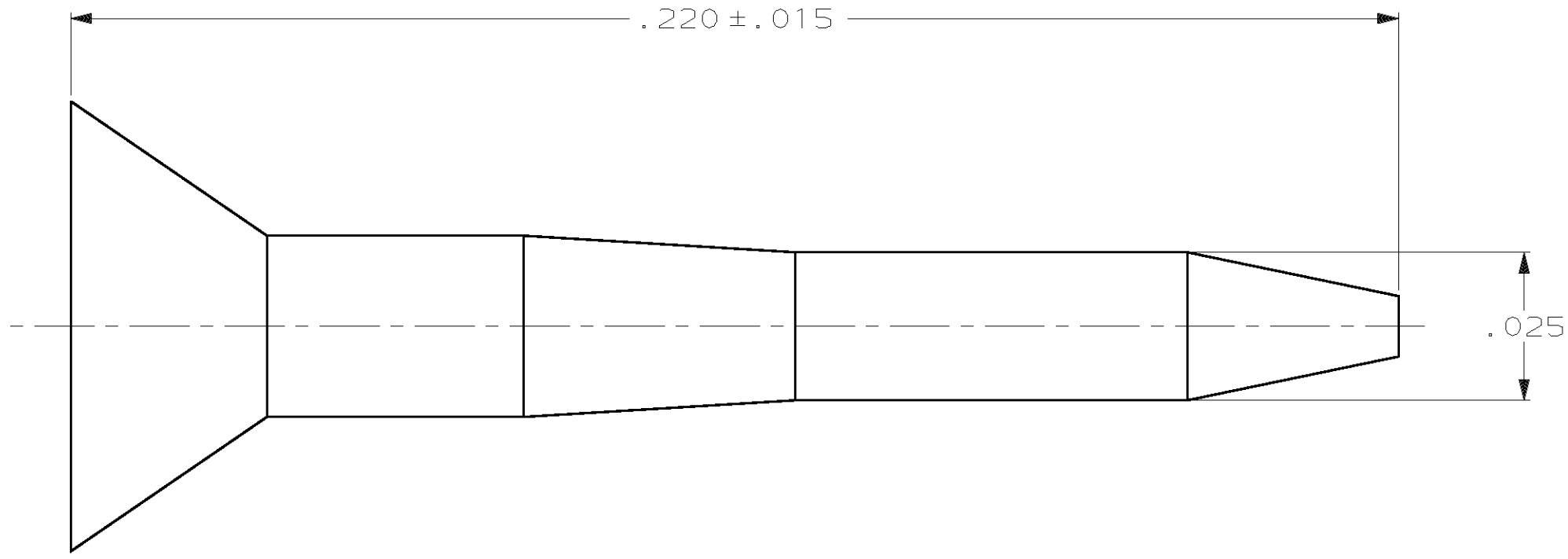


THIS DRAWING IS UNPUBLISHED. RELEASED FOR PUBLICATION, 19 .
 © COPYRIGHT 19 BY AMP INCORPORATED. ALL INTERNATIONAL RIGHTS RESERVED.

LOC	DIST	P	F	ZONE	LTR	REVISIONS	DATE	APPD
AR	35				D	REVISED PER EC 051A-0020-99	21JUL99	JG



1 FLAME RETARDANT THERMOPLASTIC, 94V-0 RATED, BLACK.

499712-1
 PART NO

DO NOT SCALE PRINT. UNLESS SPECIFIED DIMENSIONS IN INCHES TOLERANCES ON: 2 PLC DEC ± - 3 PLC DEC ± .005 ANGLES ± -	DR 2-16-90 J GALLUCCI B6	AMP INCORPORATED Harrisburg, Pa. 17105		
	CHK 3-19-90 H.MOLL			
	APPD 3-20-90 S.600D	NAME		
	APPD 3-20-90 D.HOFFMAN	KEYING PLUG, NOVO, AMP-LATCH™		
MATERIAL 1	PRODUCT SPEC -	SIZE B	FSCM NO 00779	DRAWING NO 499712
FINISH -	APPLICATION SPEC -	SCALE 40:1	SHEET 1 OF 1	REV D
	WEIGHT -			