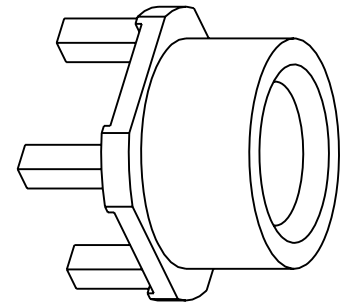


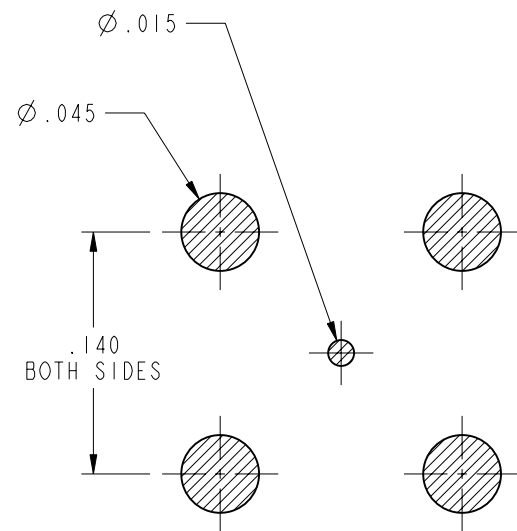
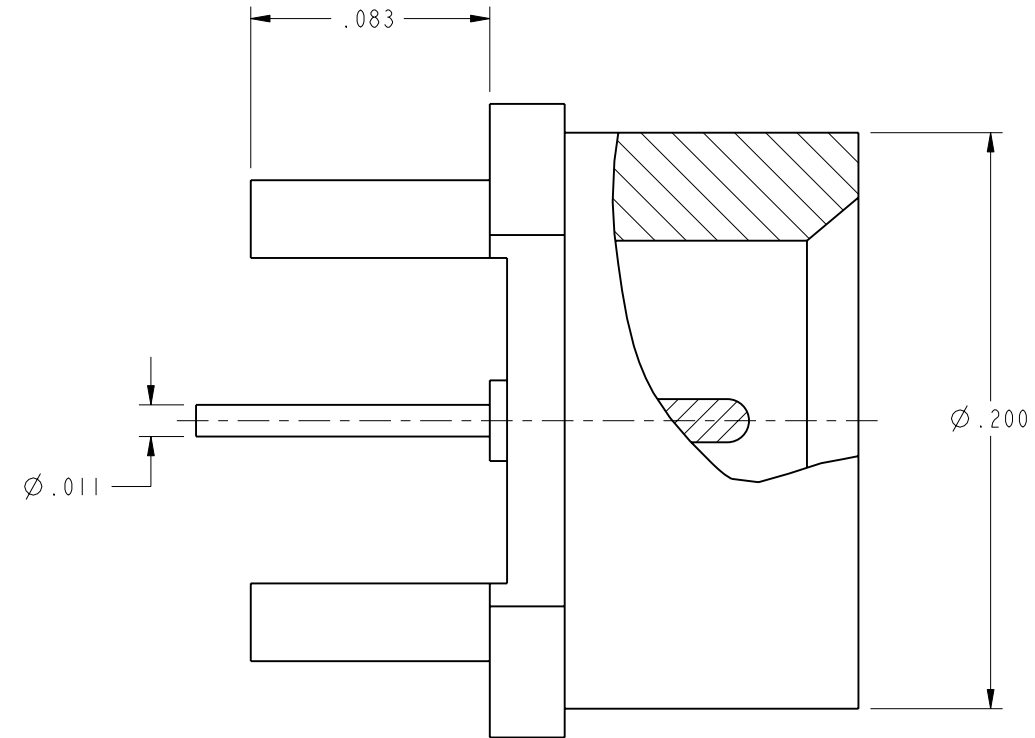
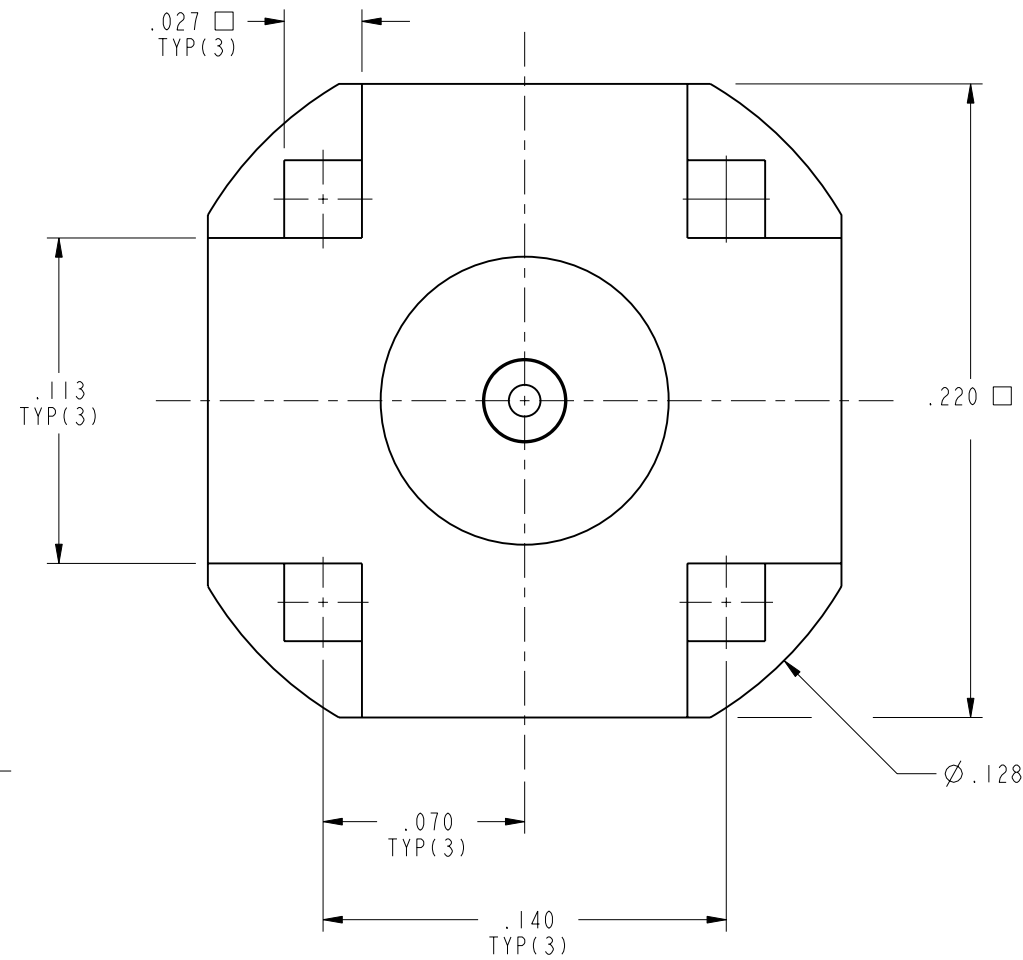
NOTES:

1. MATERIALS AND FINISHES:  
 BODY - PHOSPHOR BRONZE, GOLD PLATING  
 CONTACT - BERYLLIUM COPPER, GOLD PLATING  
 INSULATOR - PTFE
2. PACKAGING:  
 A. QUANTITY: SINGLE TRAY  
 B. MARKING: BAG TO BE MARKED  
 "AMPHENOL, SMP-MSSB-PCT-4, AND DATE CODE"

SMP-MSSB-PCT-4		REVISIONS			
DRAWING NO.	REV	DESCRIPTION	DATE	ECO	APPR
THIRD ANGLE PROJ.	A	RELEASE TO MFG.	2/6/08	46942	NMV



SCALE 6.000



RECOMENDED PCB MOUNTING DIMENSIONS

**CUSTOMER OUTLINE DRAWING**

ALL OTHER SHEETS ARE FOR INTERNAL USE ONLY

UNLESS OTHERWISE SPECIFIED, DIMENSIONS ARE IN INCHES AND TOLERANCES ARE: 2 PLACE DECIMAL ±.015 (0,381 mm) 3 PLACE DECIMAL ±.005 (0,127 mm) ANGLES ± 1°	MATERIAL SEE NOTES	DRAWN H. PARIKH	DATE 30-Nov-07	TITLE SMP TYPE PCB THRU HOLES SMOOTH BORE	<b>Amphenol RF</b> Danbury, CT, USA Tainan, Taiwan Shenzhen, China <a href="http://www.amphenolrf.com">www.amphenolrf.com</a>
	REFERENCE	ENGINEER H. PARIKH	DATE 30-Nov-07		
NOTICE - These drawings, specifications, or other data (1) are, and remain the property of Amphenol Corp. (2) must be returned upon request; and (3) are confidential and not to be disclosed to any person other than those to whom they are given by Amphenol Corp. The furnishing of these drawings, specifications, or other data by Amphenol Corp., or to any other person to anyone for any purpose is not to be regarded by implication or otherwise in any manner licensing, granting rights or permitting such holder or any other person to manufacture, use or sell any product, process or design, patented or otherwise, that may in any way be related to or disclosed by said drawings, specifications, or other data.		APPROVED M. HOYACK	DATE 2/6/08	CODE ID 74868	DWG SIZE B
					DRAWING NO. SMP-MSSB-PCT-4

SCALE: 15.0:1 SHEET 2 OF 2