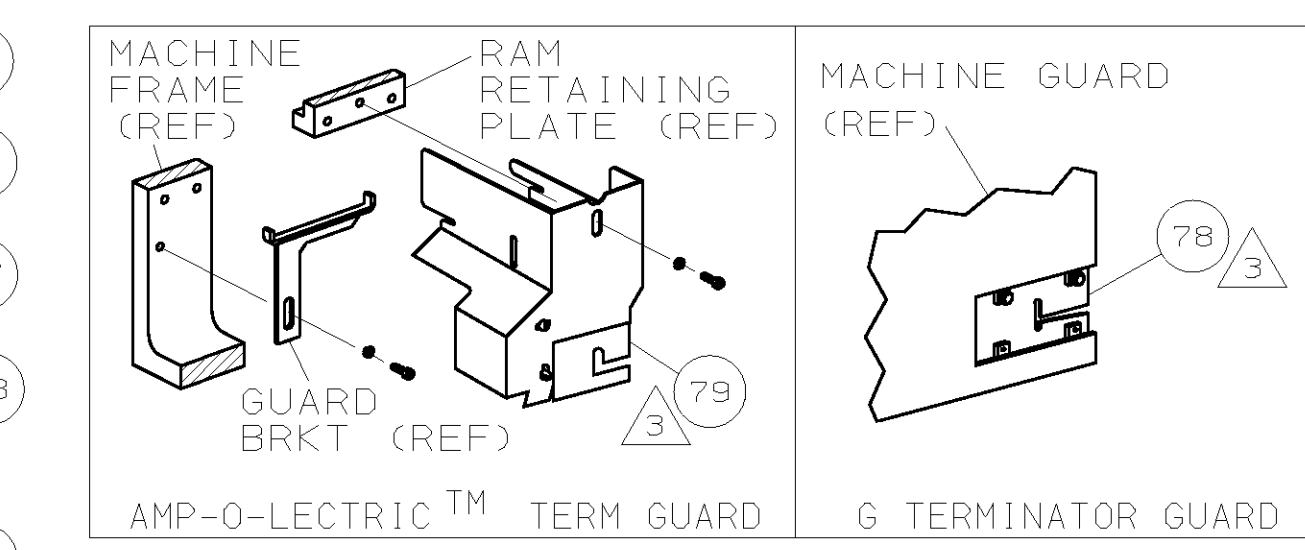
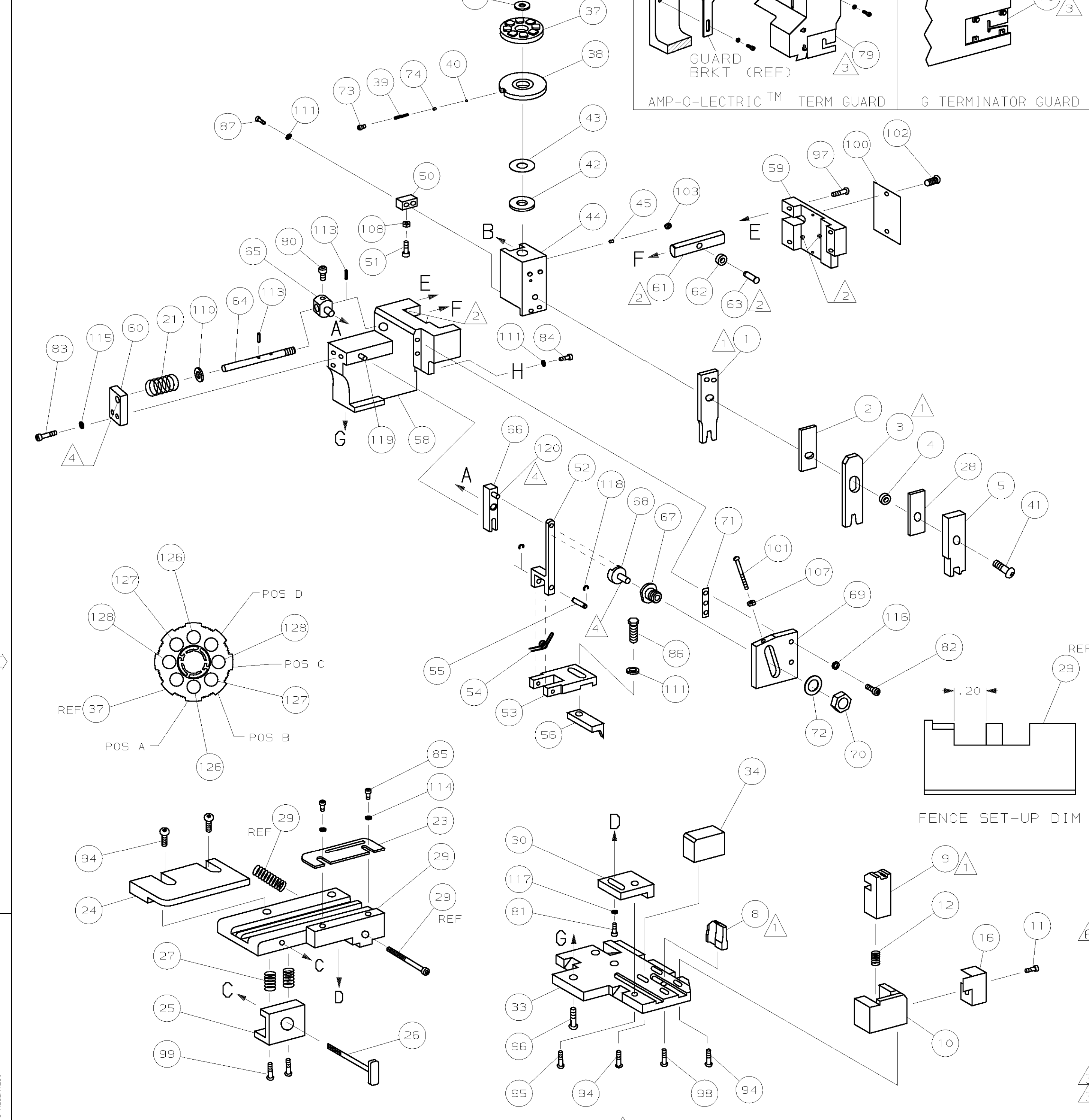


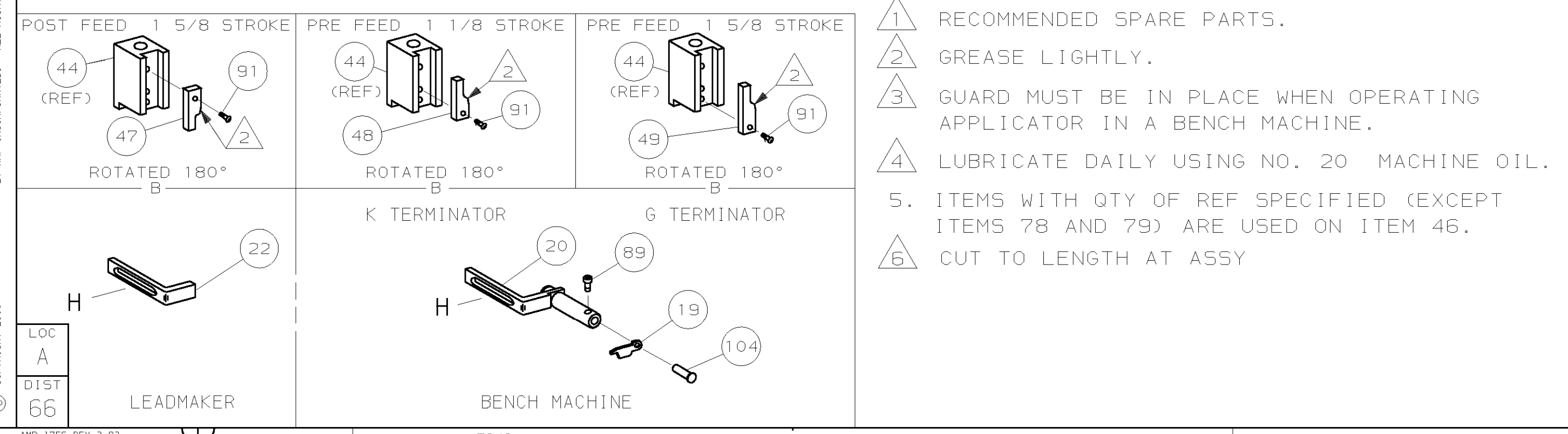
PART NUMBER	REV	FIRST USED
1385214-1	A	122500-1
1385214-2	A	565435-5
1385214-3	A	354500-1



TERMINAL NAME: TERMINAL					
AMP PN	MFR PN	SUMIKO TERMINAL		AMP CRIMP SPECS	
286907-1	UNKNOWN	PAD LTR	CRIMP HEIGHT	WIRE SIZE	
		A	.030 ±.002 [0.76 ±0.05mm]	22	
		B	.027 ±.002 [0.69 ±0.05mm]	24	
		C	.025 ±.002 [0.64 ±0.05mm]	26	
		D	NOT	USED	
CRIMP	SIZE	TYPE		RANGE	
WIRE	.050 [1.27mm]	F		26-22	
INSUL	.066 [1.68mm]	F		.050 MAX	

WIRE STRIP LENGTH	TERM APPL SPEC	FEED	APPL INSTRUCTION	SET UP GAGE	LAYOUT
.093-.125	NONE	.292	408-8040	458637-1	L2472

2	2	2	-	C	7-354779-5	PIN, WIRE DISC (.3365)C	129
2	2	2	-	C	7-354779-0	PIN, WIRE DISC (.3340)B	127
2	2	2	-	C	6-354779-3	PIN, WIRE DISC (.3305)A	126
1	1	1	-	A	986950-1	WASHER, FLAT PRECISION	125
1	1	1	-	A	217238-1	GENERAL INSTRUCTION PACKAGE	124
1	1	1	-	-	4088040	SF APPL INST 408-8040	123
							122
							121
REF	REF	REF	-	A	1-21030-1	PIN, DOWEL (Ø.187x.50) LEVER	120
REF	REF	REF	-	A	1-21030-6	PIN, DOWEL (Ø.187x1.25) HOUSING	119
REF	REF	REF	-	A	21045-3	RING, RET "C" (Ø.187) FD FING PIN	118
1	1	1	-	A	21024-5	WASHER, LOCK (#10) ADJ BLOCK	117
REF	REF	REF	-	A	21024-5	WASHER, LOCK (#10) ADJ PLATE	116
REF	REF	REF	-	A	21024-5	WASHER, LOCK (#10) FEED GDE ROD	115
2	2	2	-	A	21024-2	WASHER, LOCK (#4) FRONT STP GUIDE	114
REF	REF	REF	-	A	5-21028-1	PIN, 5LT 5PR (Ø.125x.50) ADJ ROD	113
							112
4	4	4	-	A	21024-4	WASHER, LOCK (#8) STRIPPER	111
REF	REF	REF	-	A	21899-4	WASHER, FLAT (Ø5/16) SCREW ADJ	110
							109
1	1	1	-	A	21018-5	NUT, HEX (NO. 6) HOLDDOWN	108
REF	REF	REF	-	A	21068-5	NUT, HEX (6-32) FEED ADJ	107
							106
							105
1	1	1	-	A	992031-1	PIN, CLEVIS	104
1	1	1	-	A	21009-2	SCR, 5KT SET (1/4-20x.25 LW) RAM	103
2	2	2	-	A	21017-2	SCR, DRIVE (#2x.19) ID PLATE	102
REF	REF	REF	-	A	6-23715-5	SCR, PAN HD (6-32x1.50) FEED ADJ	101
1	1	1	-	B	461264-1	PLATE, IDENTIFICATION	100
2	2	2	-	A	3-21002-0	SCR, BHC (10-32x.88) DRAG	99
1	1	1	-	A	22733-8	SCR, BHC (8-32x.38 LW) ANVIL	98
REF	REF	REF	-	A	2-21002-9	SCR, BHC (10-32x.75) CAP	97
REF	REF	REF	-	A	2-22733-8	SCR, BHC (1/4-20x.62) HOUSING	96
REF	REF	REF	-	A	2-21002-7	SCR, BHC (10-32x.50) 5G ADJ BLOCK	95
6	6	6	-	A	2-21002-2	SCR, BHC (8-32x.50) TERM H DWN	94
							93
							92
							91
1	1	1	-	A	1-21002-7	SCR, BHC (6-32x.38) CAM	90
							89
							88
2	2	2	-	A	2-21000-7	SCR, 5HC (8-32x.48) DEP-HOLD	87
1	1	1	-	A	2-22603-0	SCR, HEX HD (8-32x.31) FEED FINGER	86
2	2	2	-	A	1-21000-3	SCR, 5HC (4-40x.25) F ST GUIDE	85
1	1	1	-	A	2-21000-7	SCR, 5HC (8-32x.50) STRIPPER	84
REF	REF	REF	-	A	3-21000-7	SCR, 5HC (10-32x.75) FEED ROD 6D	83
REF	REF	REF	-	A	3-21000-6	SCR, 5HC (10-32x.62) FD ADJ BLK	82
1	1	1	-	A	3-21000-4	SCR, 5HC (10-32x.38) 5G ADJ BL	81
REF	REF	REF	-	A	3-21000-4	SCR, 5HC (10-32x.38) PIVOT BLK	80
-	REF	-	-	B	455749-1	GUARD, WINDOW	79
REF	-	-	-	B	679532-1	INSERT, GUARD	78
							77
							76
							75
1	1	1	-	A	690603-1	SPRING, ASSIST	74
1	1	1	-	A	23030-1	SCR, 5HC (6-32x.25 SL) INS DISC	73
REF	REF	REF	-	A	458109-1	WASHER, SPECIAL	72
REF	REF	REF	-	A	690517-1	SPACER	71
							70
							69
							68
							67
							66
							65
							64
							63
							62
							61
							60
							59
							58
							57
							56
							55
							54
							53
							52
							51
							50
							49
							48
							47
							46
							45
							44
							43
							42
							41
							40
							39
							38
							37
							36
							35
							34
							33
							32
							31
REF	REF	REF	-	B	455689-1	BLOCK, STRIP GUIDE ADJ	30
1	1	1	-	C	318042-1	STRIP GUIDE PLATE ASSY	29
1	1	1	-	C	1-455888-0	SPACER, FRONT SHEAR DEP	28
2	2	2	-	A	1-22284-0	SPRING, DRAG	27
1	1	1	-	B	690546-1	LEVER, DRAG RELEASE	26
1	1	1	-	B	240792-1	DRAG, TERMINAL	25
1	1	1	-	D	6-690504-4	GUIDE, STRIP (REAR)	24
1	1	1	-	A	690438-1	GUIDE, STRIP (FRONT)	23
-	-	1	-	B	690472-2	STRIPPER	22
REF	REF	REF	-	A	4-22284-9	SPRING, FEED RETURN	21
1	1	-	-	A	679218-1	STRIPPER WIRE STOP ASSY	20
1	1	-	-	B	458949-1	STRIPPER	19
							18
							17
1	1	1	-	B	318563-1	GUARD, CHIP, FRONT	16
							15
							14
							13
1	1	1	-	A	5-22280-0	SPRING, SHEAR	12
1	1	1	-	B	690461-1	STOP, SHEAR	11
1	1	1	-	C	690459-1	HOLDER, SHEAR (FRONT)	10
1	1	1	-	C	462006-1	SHEAR, FLOAT (FRONT)	9
1	1	1	-	C	3-805887-6	ANVIL	8
							7
							6
1	1	1	-	C	2-455889-0	DEPRESSOR, SHEAR (FRONT)	5
1	1	1	-	B	2-238011-0	SPACER, BLOCK CRIMPER	4
1	1	1	-	C	3-1213077-4	CRIMPER, INSULATION	3
1	1	1	-	C	455888-3	SPACER, CRIMPER	2
1	1	1	-	C	6-568176-7	CRIMPER, WIRE	1



THIS DRAWING IS UNRELEASED. 2000. BY AMP INCORPORATED. ALL RIGHTS RESERVED.

LOC A, DIST 66, LEADMAKER, BENCH MACHINE

AMP 1756 REV 3-92, 21-DEC-00, 08:20:02, ampt5242

8, 7, 6, 5, 4, 3

QTY	REQD PER ASSY	PARTS LIST	DESCRIPTION	ITEM NO
1	1	A	REVISED	TB 12/00
1	1	P	REVISION RECORD	APP DATE

DIMENSIONS IN INCHES. DO NOT SCALE PRINT. TOLERANCES UNLESS OTHERWISE SPECIFIED.			
1	PLC	DEC	± .02
2	PLC	DEC	± .01
3	PLC	DEC	± .005
4	PLC	DEC	± .0025
ANGLES ± SURF TEXTURE: ✓ REMOVE BURRS, BREAK SHARP EDGES R.015 MAX			

MATL	HT TR	FIN

DR	APP	AMP	
A. ANDERSON	T. ELBIN	AMP Incorporated Harrisburg, PA 17105-3608	

NAME	MACHINE REF
SIDE FEED HDM APPLICATOR	MINI APPL

SCALE	DWG NO	SHEET	REV
-	D 1385214	1	A

CASE CODE 00779 CUSTOMER AND ASSEMBLY DRAWING

RESTRICTED TO

THIS DRAWING IS A CONTROLLED DOCUMENT.

1385214