

4

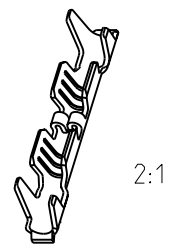
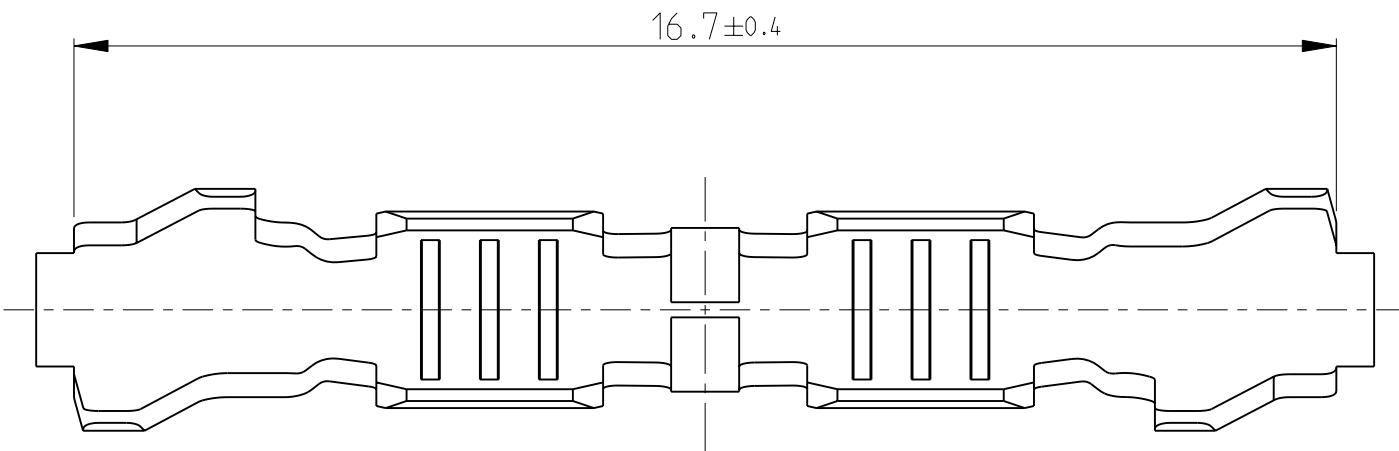
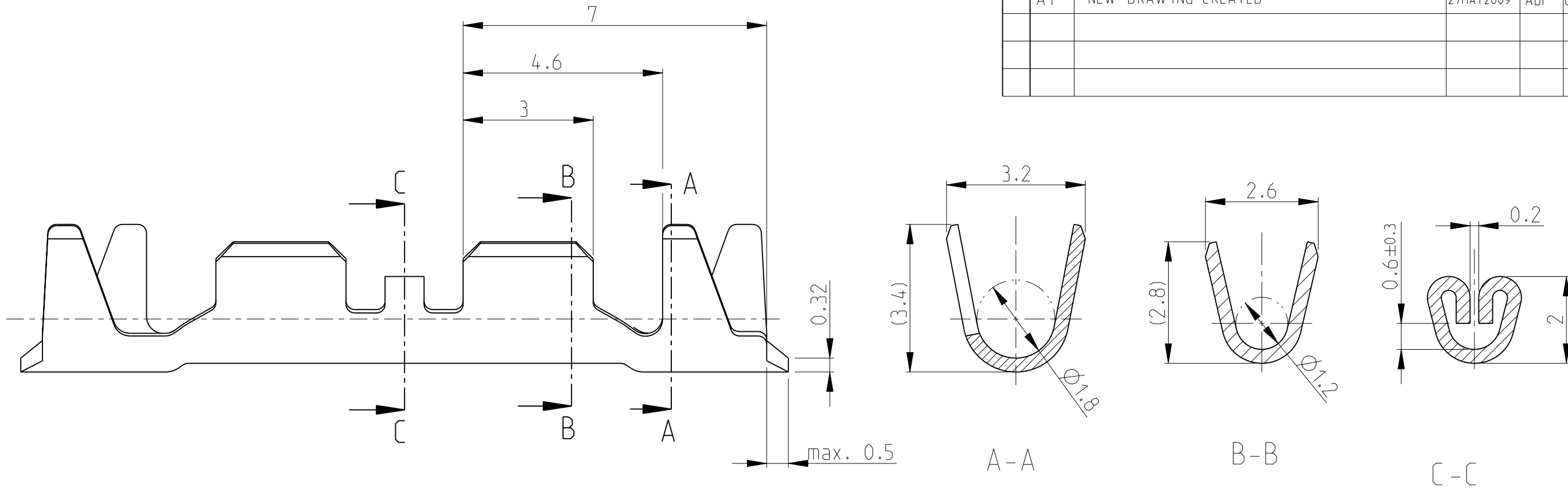
3

2

1

THIS DRAWING IS UNPUBLISHED. RELEASED FOR PUBLICATION 2009  
 © COPYRIGHT 2009 BY TYCO ELECTRONICS CORPORATION. ALL RIGHTS RESERVED.

LOC	DIST	REVISIONS			
P	LTR	DESCRIPTION	DATE	DWN	APVD
A1	-	NEW DRAWING CREATED	27MAY2009	Abr	Goep



0.75 / 1.0	968041-1	PRETIN / vorverzinnt 1-3 µm	CuSn4	963921-1	A	
WIRE RANGE / DGB	STRIP PN	FINISH	MATERIAL	PART NO.	REV	
<small>THIS DRAWING IS A CONTROLLED DOCUMENT FOR TYCO ELECTRONICS CORPORATION          IT IS SUBJECT TO CHANGE AND THE CONTROLLING ENGINEERING ORGANIZATION          SHOULD BE CONTACTED FOR THE LATEST REVISION.</small>		DWN 26MAY2009 Abraham.G.	Tyco Electronics AMP GmbH 64625 Bensheim (Germany)			
DIMENSIONS: mm 		CHK 27MAY2009 Goeppl.C.				NAME BUTT SPLICE LOOSE PIECE Stossverbinder Einzelausfuehrung
TOLERANCES UNLESS OTHERWISE SPECIFIED: 0 PLC ± 1 PLC ± ±0.2 2 PLC ± ± 3 PLC ± ± 4 PLC ± ± ANGLES ±1°		APVD 28MAY2009 Bleicher.M.				
MATERIAL -		PRODUCT SPEC -				APPLICATION SPEC -
		WEIGHT 1.2 g	SIZE A3	CAGE CODE 00779	DRAWING NO. 963921	
CUSTOMER DRAWING			SCALE 10:1	SHEET 1 OF 1	REV A1	