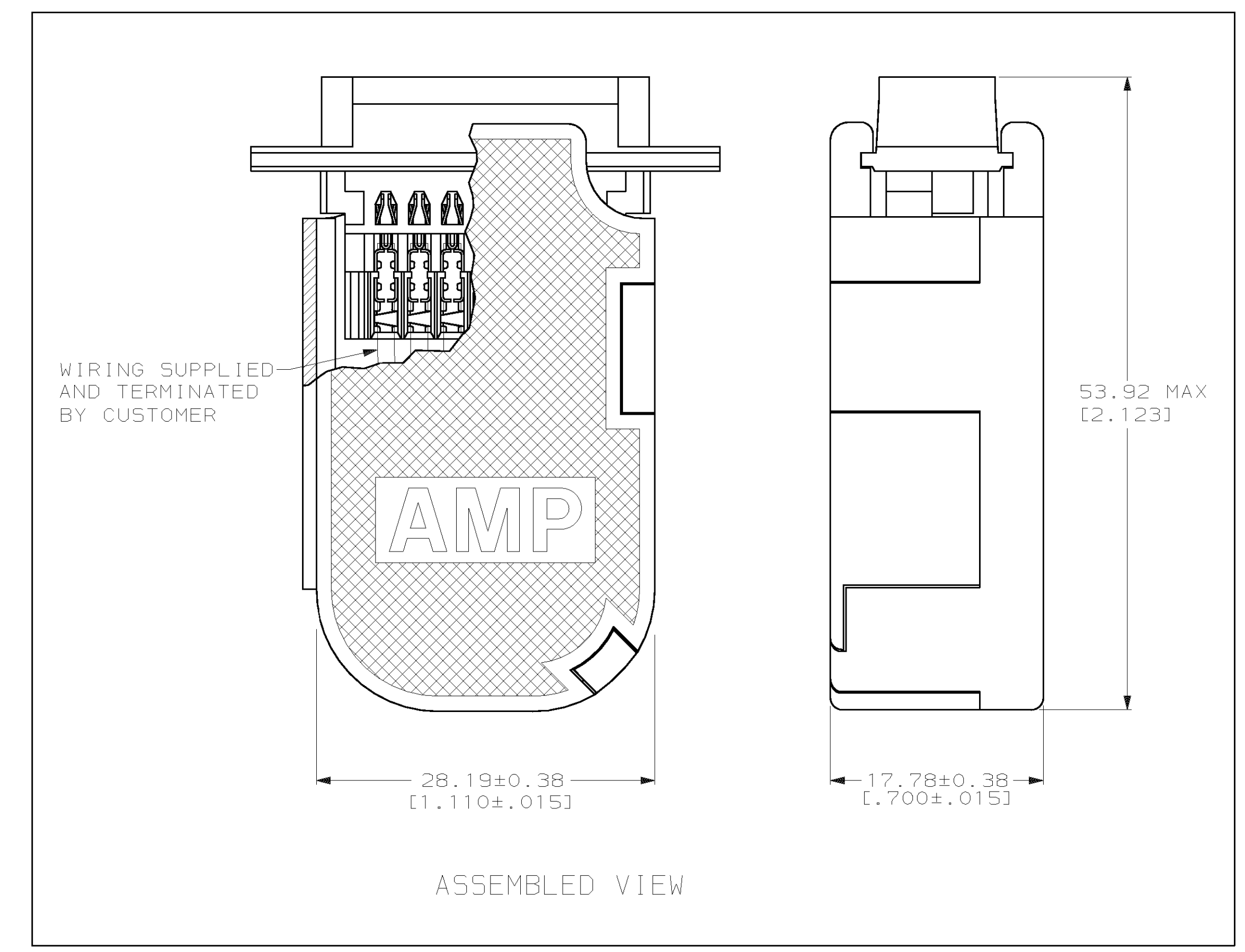
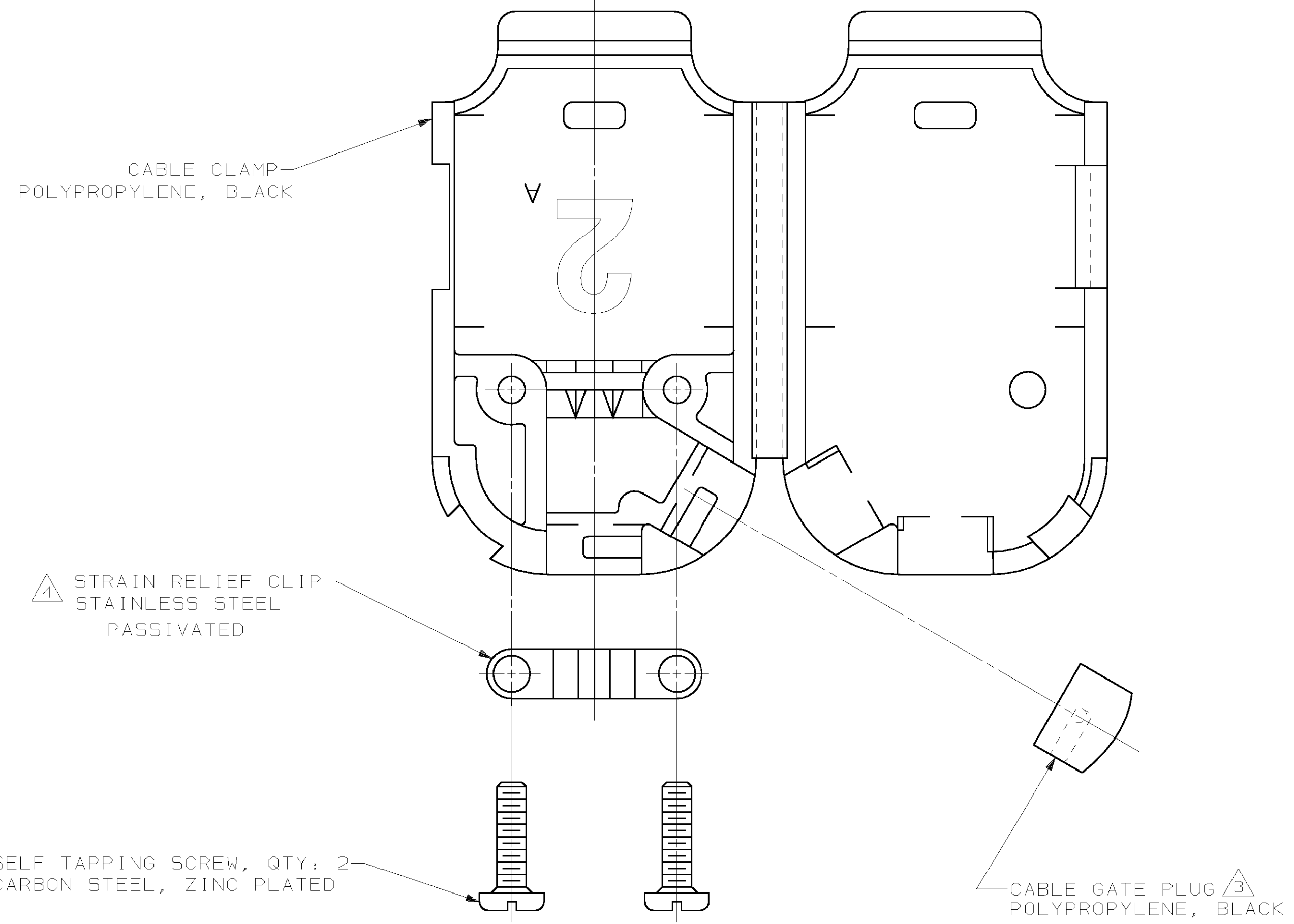
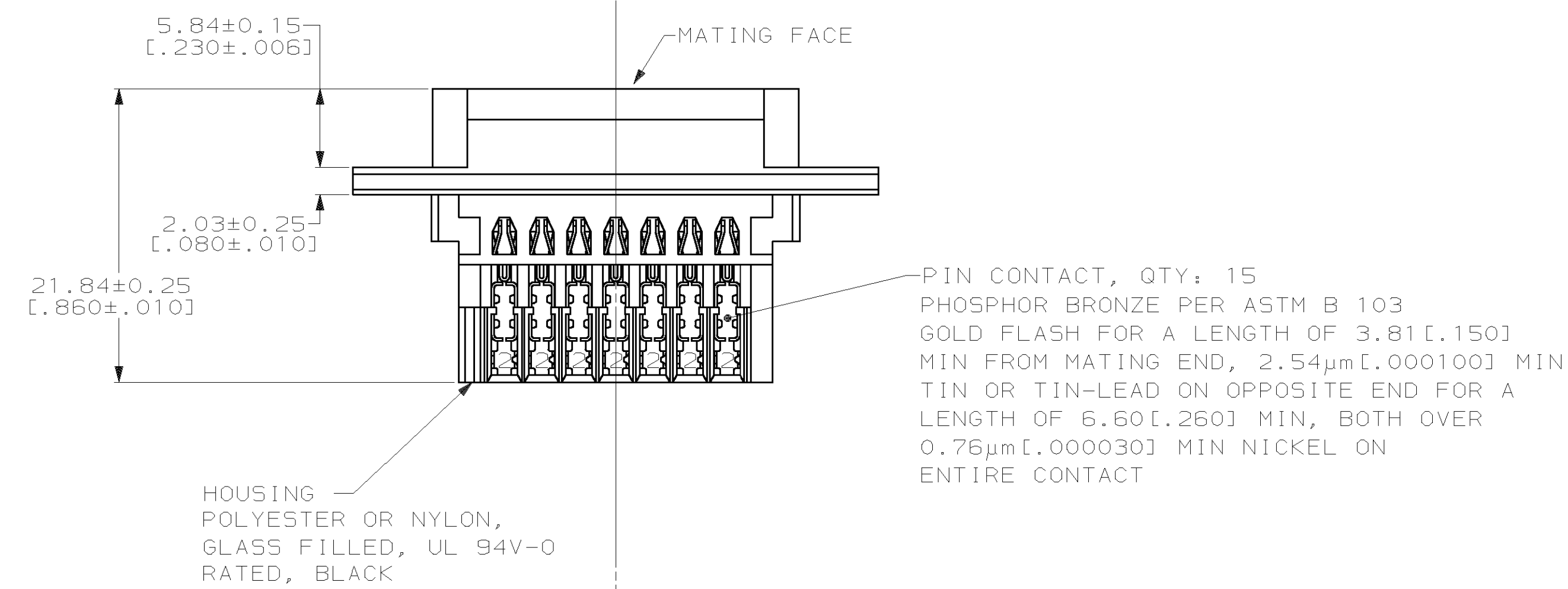
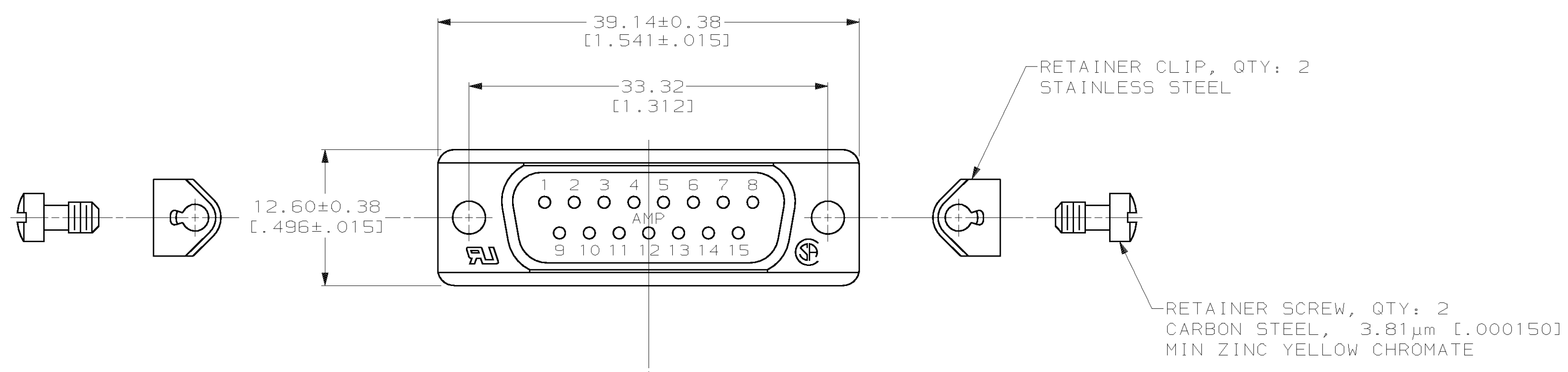


LOC		DIST		REV		REVISIONS		DATE	APPD
BD	48	P	F	ZONE	LTR	DESCRIPTION			
						0	RELEASED PER NPR 2503	1-4-90	-
						A	REV PER ECN BD4220	07/27/90	JW
						B	REV PER ECN BD4276	12/11/90	-
						C	REV PER ECN BD5736	08/26/92	RM
						D	REV PER EC 001D-0123-00	17 APR 00	JK



- CONTACTS ACCEPT 22-26 AWG RANGE.
- GOLD PLATING PER MIL-G-45204; NICKEL PLATING PER QQ-N-290; TIN PLATING PER MIL-T-10727; ZINC PLATING PER ASTM 8633, TYPE II, CLASS SC1.
- CABLE GATE PLUG TO BE PLACED IN CABLE EXIT NOT BEING USED.
- STRAIN RELIEF CLIP CAN BE REVERSED FOR PROPER INSTALLATION, DEPENDING ON SIZE OF CABLE DIAMETER.
- CABLE DIAMETER RANGE = 4.32-9.65 [.170-.380].

DO NOT SCALE PRINT. UNLESS SPECIFIED DIMENSIONS IN mm [INCHES] TOLERANCES ON: 2 PLC DEC ± 0.13 [0.005] 3 PLC DEC ± - ANGLES ± -		DR 1-5-90 W.G. LENKER		749809-2 PART NO	
CHK 6-4-90 R. STONE		APPD 6-5-90 BOB TAYLOR		AMP INCORPORATED Harrisburg, Pa. 17105	
MATERIAL SEE CALLOUTS		PRODUCT SPEC 108-40011		NAME PLUG KIT, UNASSEMBLED, SIZE 2, 15 POSITION, AMPLIMITE® HDE-20	
FINISH SEE CALLOUTS		APPLICATION SPEC 114-40002		SIZE D	
WEIGHT -		SCALE 3:1		CAGE CODE 00779	
				DRAWING NO 749809-2	
				SHEET 1 OF 1	