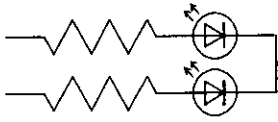
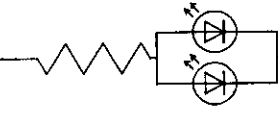


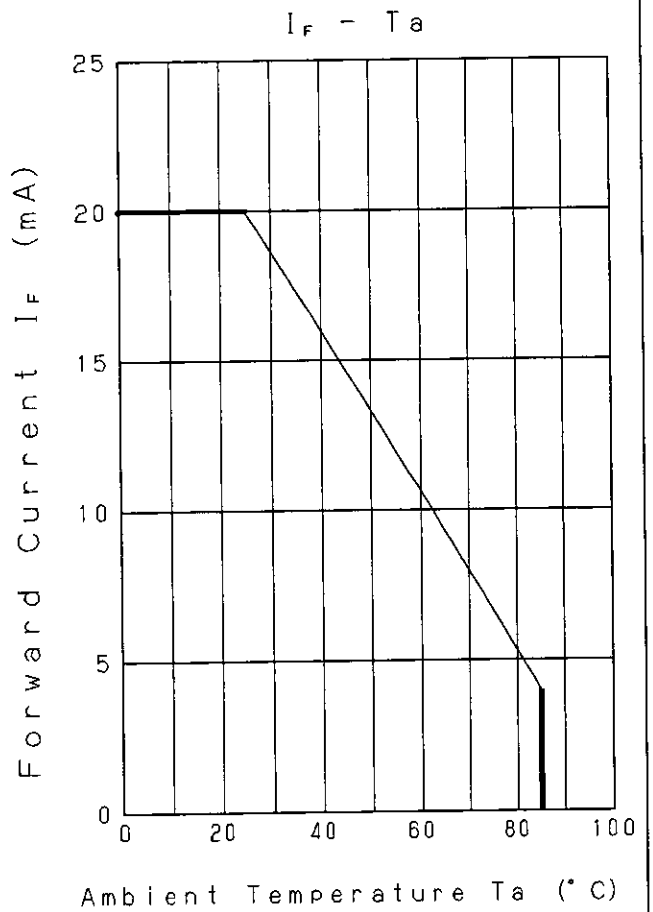
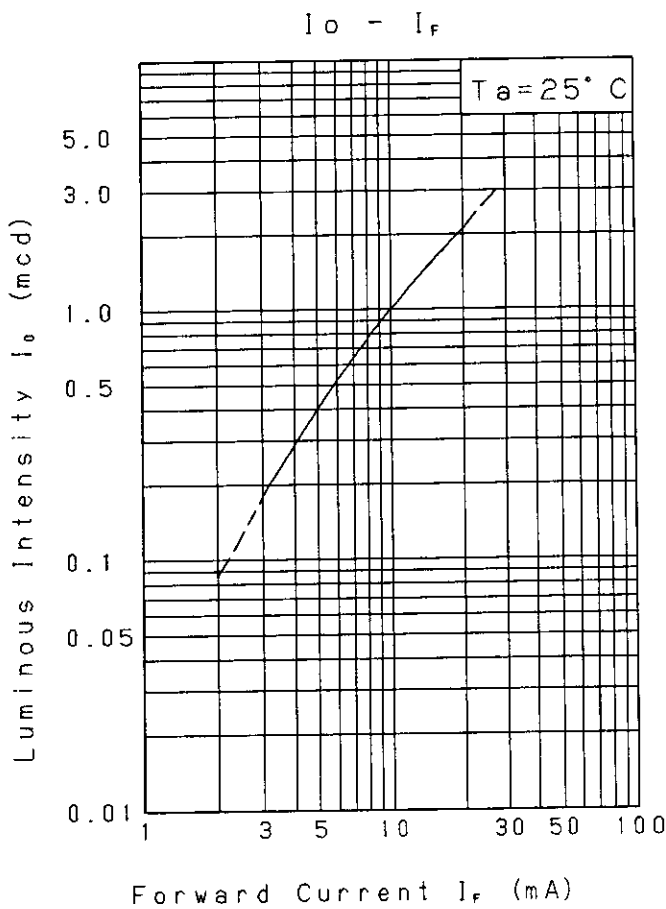
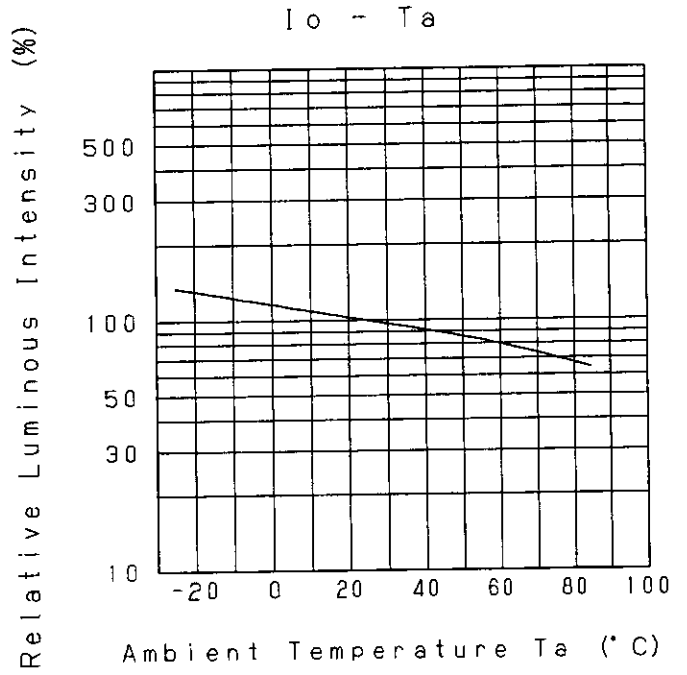
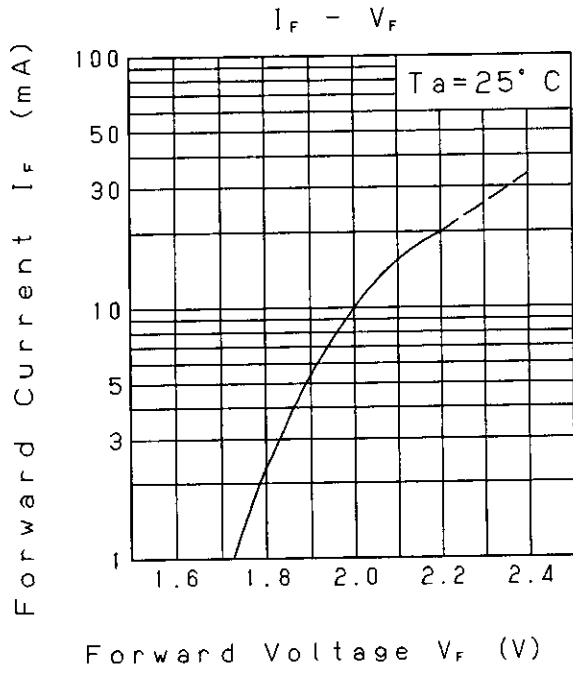
Approved	Checked	Designed	DEVELOPMENT SPECIFICATION				
		<i>K. Ozawa</i>	Tentative P/N: LN J 4 0 6 K 5 Y U X				
T Y P E		Amber Light Emitting Diode					
A P P L I C A T I O N		Indicators					
M A T E R I A L		GaAsP					
O U T L I N E		Attached					
A B S O L U T E M A X I M U M R A T I N G S		P	※ I _{FP}	I _{FX}	V _R	Topr	Tstg
		60	60	20	4	-25~+85	-30~+100
		mW	mA	mA	V	°C	°C
C O N D I T I O N		T _a = 25 ± 3 °C					
T e s t S p e c i f i c a t i o n							
I t e m	S y m b o l	C o n d i t i o n	T y p	L i m i t		U n i t	
				Min	Max		
Forward Voltage	V _F	I _F =10 mA	2.0		2.6	V	
Reverse Leakage Current	I _R	V _R = 4 V			10	μA	
Luminous Intensity	I _O	I _F =10 mA · DC	1.0	0.4		mcd	
Peak Emission Wavelength	λ _p	I _F =10 mA · DC	590			nm	
Spectral Line Half Width	Δλ	I _F =10 mA · DC	30			nm	
<p>※ · The Condition of I_{FP} is duty 10 %, Pulse width 1 ms</p> <p>· Please contact the Panasonic local office if you design at low current (below 1mA DC) or pulse current operation and have any questions.</p> <p>NOTE</p> <ol style="list-style-type: none"> 1. Compositions of the lead ... Cu/Ni/Au plating 2. Soldering conditions. Refer to Handling note. 3. Care should be taken that soldering is done within 3-days after opening the dry package and reel. 4. Package: Light yellow diffusion type. 5. Circuit to operate LED. 							
						<p>(A) Recommended circuit.</p> <p>(B) The difference of brightness between the LED could be found due to the V_F characteristics of each LED.</p>	
Oct. 27. 2001							

Approved Checked Designed

DEVELOPMENT SPECIFICATION

K. Osumi

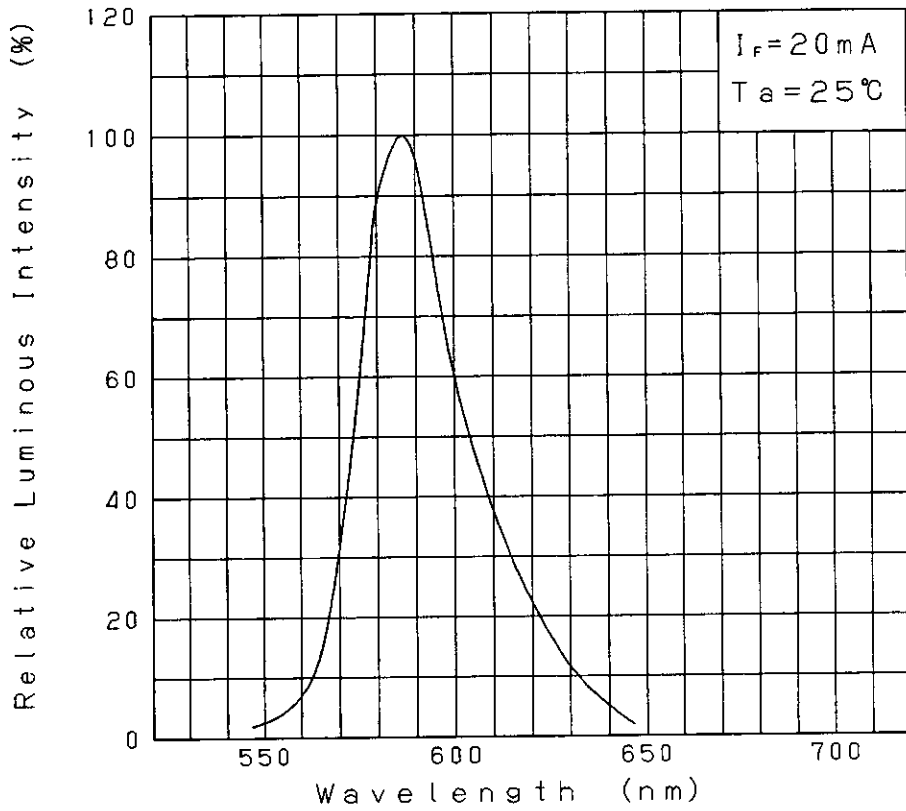
Tentative
P/N:LNJ406K5YUX



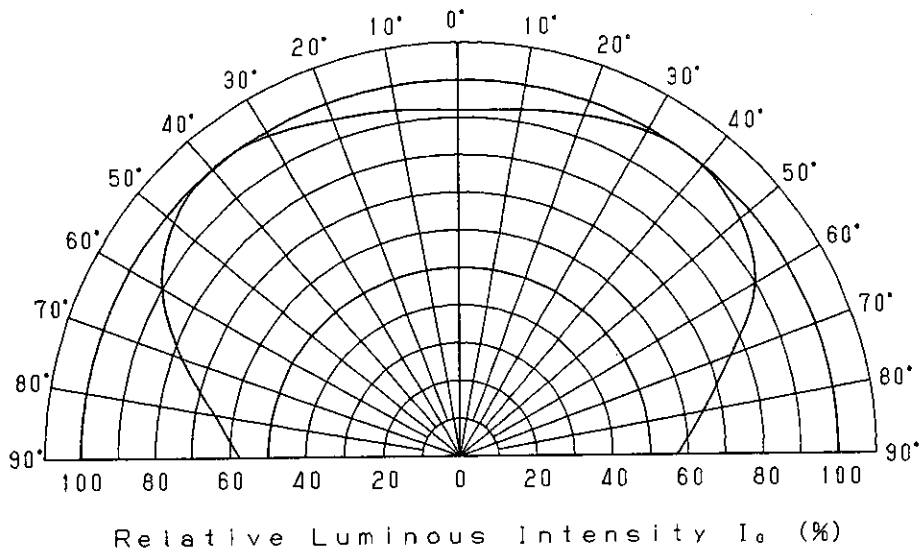
Oct. 27. 2001

Approved	Checked	Designed	DEVELOPMENT SPECIFICATION Tentative P/N:LNJ406K5YUX			
		<i>K. Ozawa</i>				

Relative Luminous Intensity
Wavelength Characteristics

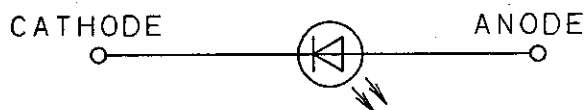
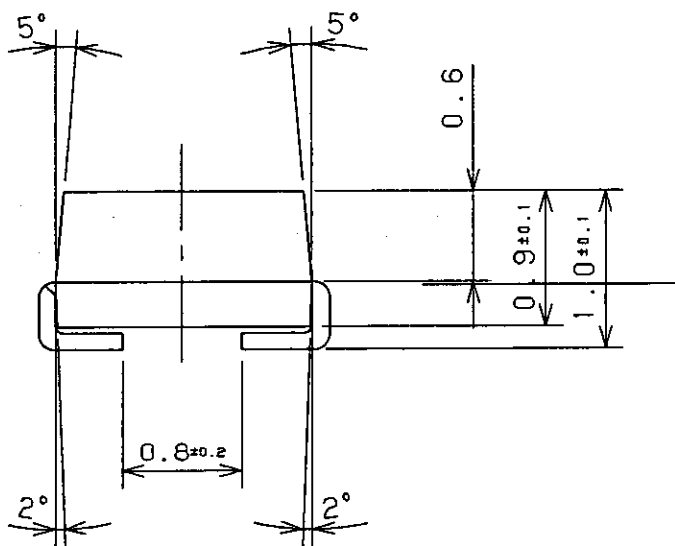
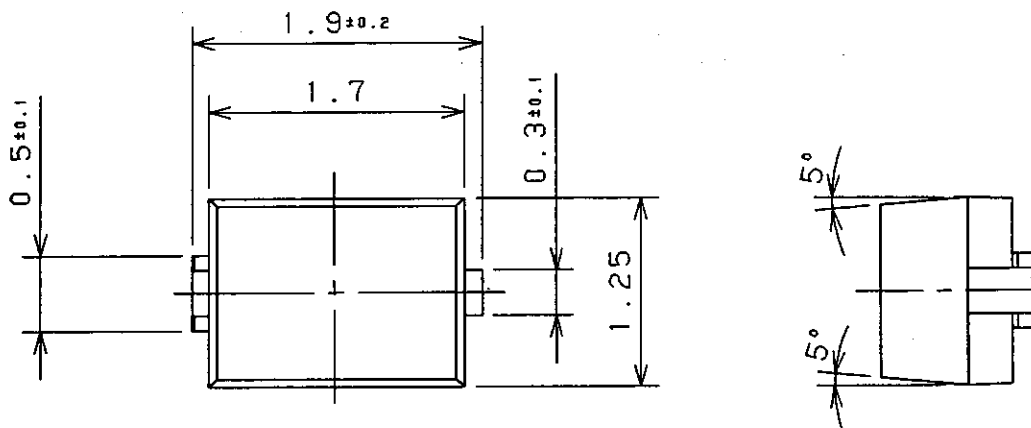


Directive Characteristics



Oct. 27. 2001			

Approved	Checked	Designed	DEVELOPMENT SPECIFICATION (OUTLINE)			
		<i>K. Okamoto</i>		P/N: _____		



(NOTE)

1. Unit: mm
2. Tolerance unless specified is ±0.2.
3. Measurement of the Package doesn't include gage projection.
4. Corner of the package is R 0.2max.
5. Projection's tolerance of the package is R 0.2max.

Oct. 27. 2001			