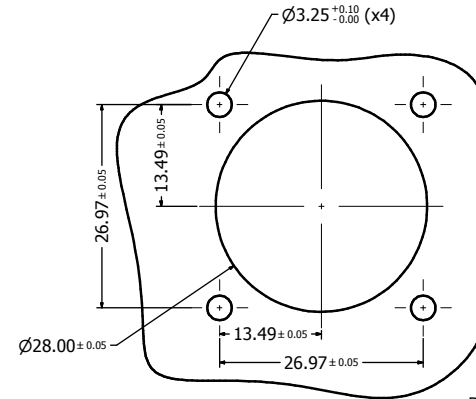
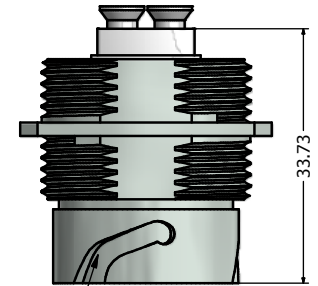


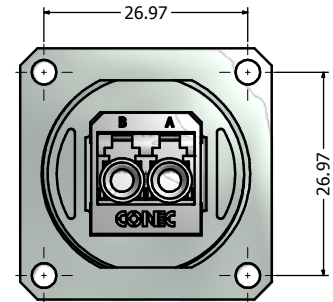
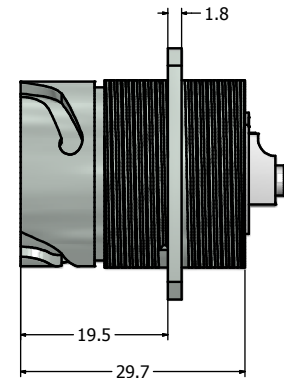
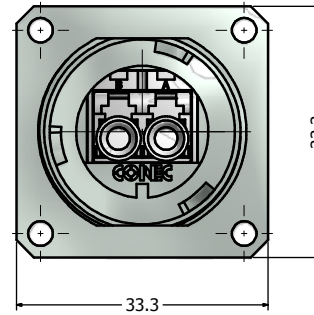
Recommended Double-D Panel Cutout



Recommended Round Panel Cutout



Bayonet Channel x 3



Notes:

- Material and Finish:
 - Receptacle Housing: Die-Cast, Nickel Plated
 - Duplex LC Adaptor Assembly:
 - Housing: Mod. PPO, UL94 V-0, Color: **SM Blue/MM Beige/APC SM Green**
 - Alignment Sleeves: SM Ceramic/MM Phosphor Bronze
 - Dust Cap: PP, Color: Neutral transparent
 - Operating Temperature: -40°C to +85°C
- Connector can be front or rear mounted to a maximum panel thickness of 3.2mm.
- IP67 rated when covered or fully mated with the appropriate mating connector

ⓄⓅ The panel gasket (P/N: 17-103540) and the M3 mounting hardware (P/N: 17-103530) must be ordered separately, the recommended mounting torque is 8 to 10 lb-inch

| Description | Part Number |
|--------------------------|-------------|
| Single Mode (SM) | 17-300440 |
| Multi Mode (MM) | 17-300450 |
| APC Single Mode (APC SM) | 17-300460 |

Directive 2002/95/EC RoHS Compliant

| | | | | | | | | | |
|--|-----------|-------------|---------------|--|--|---------------------------------|------------|------|--|
| THIS DRAWING MAY NOT BE COPIED OR REPRODUCED IN ANY MANNER AND MAY NOT BE PASSED ON TO A THIRD PARTY WITHOUT WRITTEN PERMISSION. OWNERSHIP AND COPYRIGHT OF CONEC CORPORATION. | Customer: | | | Tolerance Unless otherwise specified 0 PLC ± 0.50 1 PLC ± 0.38 2 PLC ± 0.25 3 PLC ± 0.10 ANGLES ± 7° | | Scale: | Dim. in mm | | |
| | Name | Title | Approval Date | | | 2011 | Date | Name | Material: See Notes |
| | d | 1 x d | Sep/25/2013 | | | Vincent Ke | Norm | | Title: IP67 Industrial Duplex LC Receptacle (with Flange) Assembly Kit Nickel Plated Zinc Die-Cast Version |
| | c | 1 x c | Mar/08/2013 | | | Vincent Ke | D-old | | Drawing No.: 17K1A304 |
| b | 1 x b | Apr/23/2012 | Vincent ke | | | Part No.: SEE PART NUMBER TABLE | DIN A3 | | |
| a | original | | | | | | Sheet 1/1 | | |
| Rev. | Changes | Date | Name | | | | | | |
| | | | | | | | | | |