

## AN-1590 LM3405 Demo Board

### 1 Introduction

The LM3405 demo board is configured to drive a series string of high power, high brightness LEDs at a forward current of 1A using the LM3405 constant current buck regulator. The board can accept a full input operating range of 3V to 15V. The converter output voltage adjusts as needed to maintain a constant current through the LED array. The LM3405 is a step-down regulator with an output voltage range extending from a  $V_{O(MIN)}$  of 205mV (the reference voltage) to a  $V_{O(MAX)}$  determined by the maximum duty cycle (typically 94%). It can drive up to 3 LEDs in series at 1A forward current, with the single LED forward voltage of approximately 3.7V (Typical of white, blue, and green LEDs using InGaN technology).

As shown in the demo board schematic circuit in [Figure 1](#), the board is configured with the boost voltage derived from  $V_{IN}$  through a shunt zener (D3). This will ensure that the gate drive voltage  $V_{BOOST} - V_{SW}$  falls in the recommended range of 2.5V to 5.5V when  $V_{IN}$  varies from 5V to 15V. In cases of low input voltages (3V to 5V) being used, the boost diode (D2) can be directly connected to  $V_{IN}$  (R3 short, C4 and D3 not installed) to obtain sufficient gate drive voltage for best performance.

[Table 1](#) lists the bill of materials of this demo board. The measured performance characteristics and layout of this board are also included below. Additional Circuit Configuration Schematics section illustrates other possible circuit configurations of this board to accommodate various input and output requirements as discussed in the LM3405 datasheet.

### 2 Connecting to LED Array

The LM3405 Demo Board includes a female 6-position SIP connector **P1** as well as two standard 72mil turret connectors for the cathode and anode connections of the LED array. Solid 18 or 20 gauge wire with about 1cm of insulation stripped away makes a convenient, solderless connection to **P1**.

### 3 Setting the LED Current

The default forward current  $I_F$  delivered to the LED array is 1.0A. To adjust this value the current setting resistor R1 can be changed according to the following equation:

$$I_F = V_{FB} / R1 \tag{1}$$

The feedback voltage  $V_{FB}$  is regulated at 0.205V typically. The resistor R1 should be rated to handle the power dissipation of the LED current. R1 should be less than approximately 1 $\Omega$ , to ensure that the LED current is kept above 200mA. If average LED currents of less than 200mA are desired, the EN/DIM pin should be used for PWM dimming.

### 4 PWM Dimming

The default connection of the PWM terminal is tied to  $V_{IN}$  through a 100k $\Omega$  resistor (R2) to enable the chip, which allows the set current to flow through the LEDs continuously. This PWM terminal can also be connected separately to a periodic pulse signal at different frequencies and/or duty cycle for PWM dimming. A typical LED current waveform in PWM dimming mode is shown in [Figure 2](#). [Figure 3](#) shows the average LED current versus duty cycle of PWM dimming signal for various frequencies. Due to an approximately 100 $\mu$ s delay between the dimming signal and LED current, the dimming ratio reduces dramatically if the applied PWM dimming frequency is greater than 5kHz.

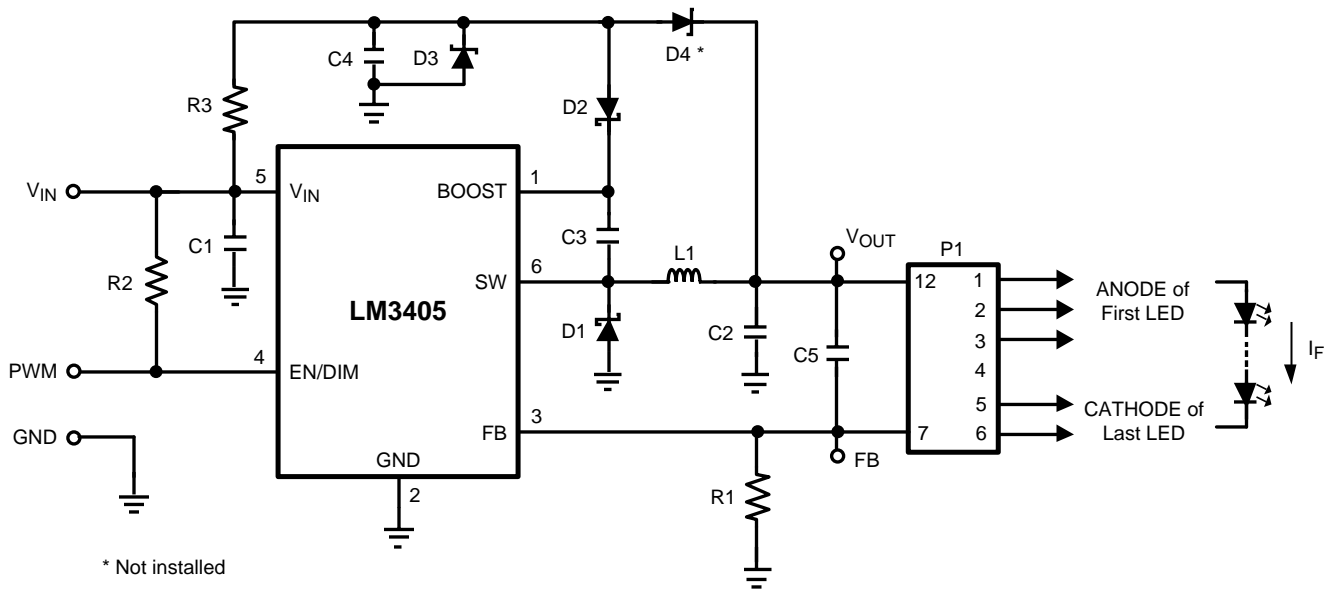


Figure 1. LM3405 Demo Board Schematic

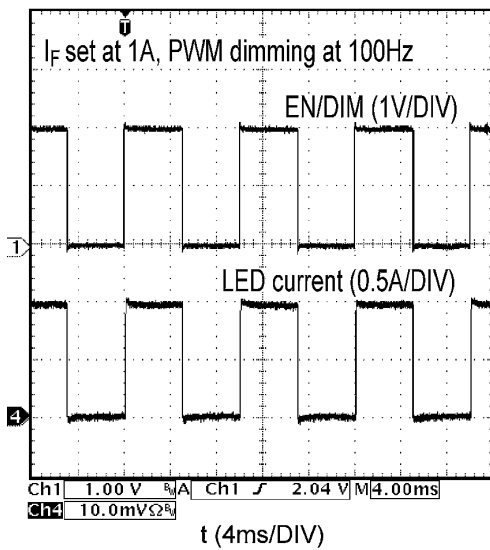


Figure 2. PWM Dimming of LEDs

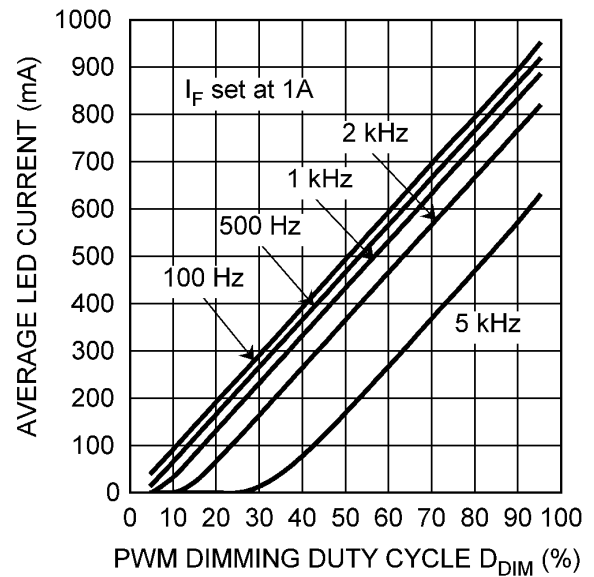


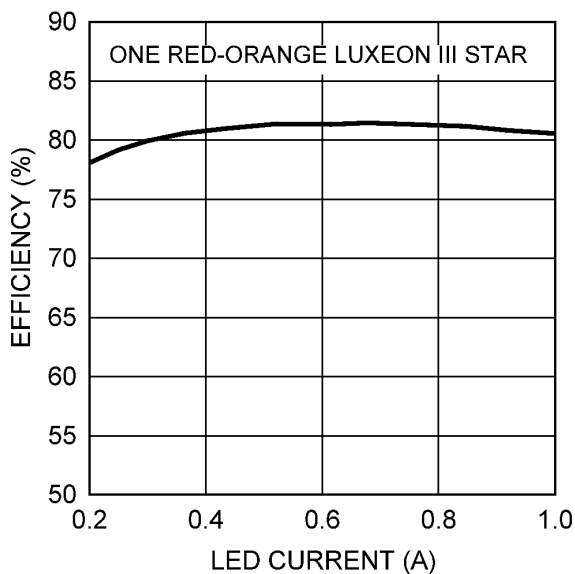
Figure 3. Average LED Current versus Duty Cycle of PWM Dimming Signal at PWM Terminal

## 5 Bill of Materials

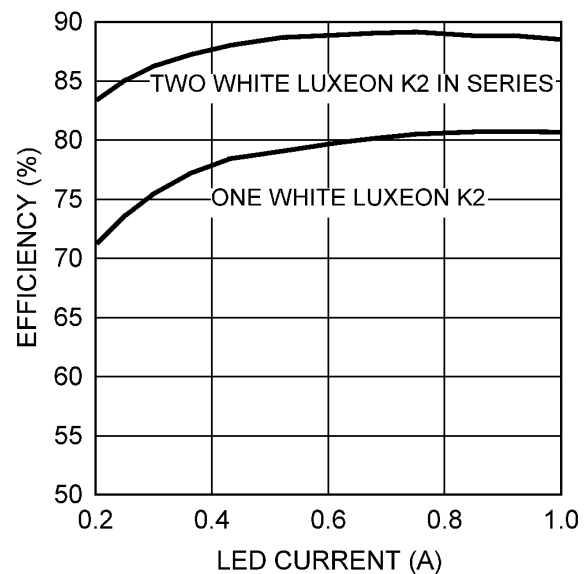
**Table 1. Bill of Materials**

Part ID	Part Value	Part Number	Manufacturer
U1	1A constant current buck regulator, SOT-6	LM3405	Texas Instruments
L1	6.8μH, 1.5A, 35mΩ, 6.0 x 6.0 x 2.8mm	SLF6028T-6R8M1R5-PF	TDK
C1	10μF, 25V, X5R, 1206	GRM31CR61E106KA12L	Murata
C2	1μF, 25V, X7R, 1206	C1206C105K3RACTU	Kemet
C3	0.01μF, 16V, X7R, 0805	0805YC103KAT2A	AVX
C4	0.1μF, 16V, X7R, 0805	GRM219R71C104KA01D	Murata
C5	1μF, 25V, X5R, 0805	GRM216R61E105KA12D	Murata
D1	Schottky, 30V, 1A, SMA	MBRA130LT3G	ON Semiconductor
D2	Schottky, 30V, 200mA, SOD-323	BAT54WS-TP	Micro Commercial Co.
D3	5.1V, 0.35W, SOT23	BZX84C5V1	Fairchild Semiconductor
D4	Not installed		
R1	0.5W, 0.2Ω, 1%, 2010	WSL2010R2000FEA	Vishay
R2	100kΩ, 1/8W, 1%, 0805	CRCW0805100KFKEA	Vishay
R3	1.0kΩ, 1%, 1/8W, 0805	CRCW08051K00FKEA	Vishay
P1	6-position connector	5535676-5	Tyco/AMP

## 6 Typical Performance Characteristics



**Figure 4. Efficiency vs. LED Current**  
(V<sub>IN</sub> = 5V, V<sub>BOOST</sub> Derived from V<sub>IN</sub>)



**Figure 5. Efficiency vs. LED Current**  
(V<sub>IN</sub> = 12V)

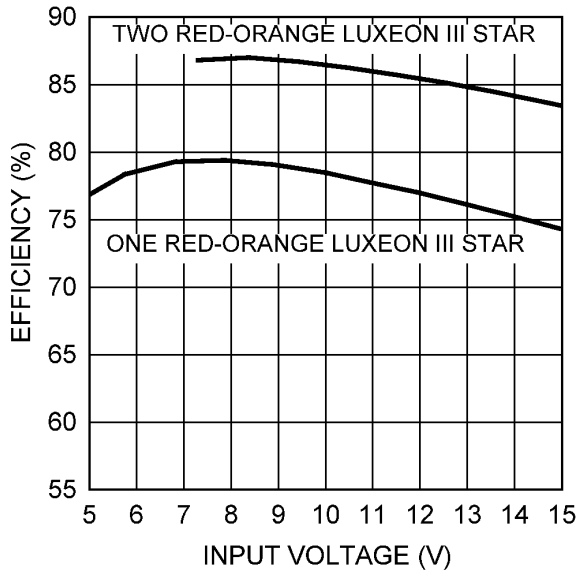


Figure 6. Efficiency vs. Input Voltage ( $I_F = 1A$ )

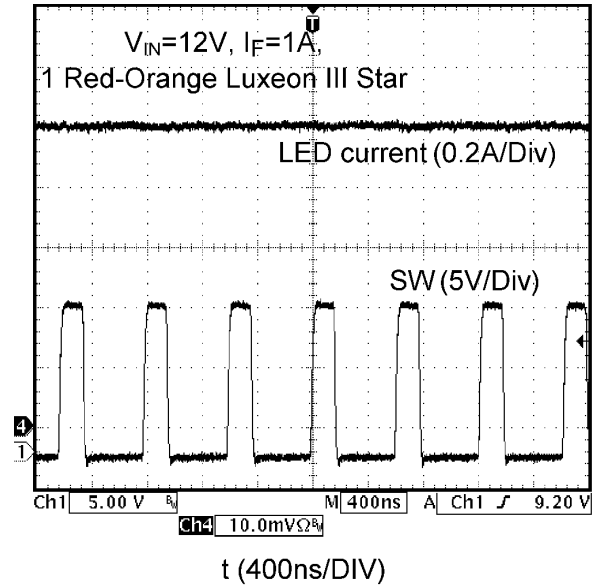


Figure 7. Switching Waveforms

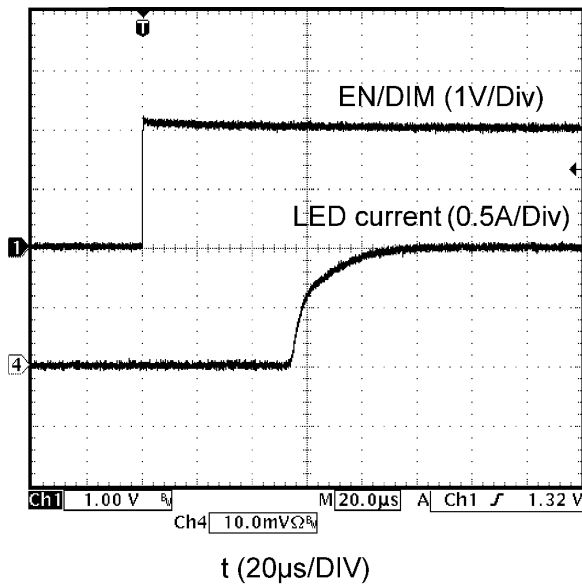


Figure 8. Startup during PWM Dimming ( $V_{IN} = 12V, I_F = 1A$ )

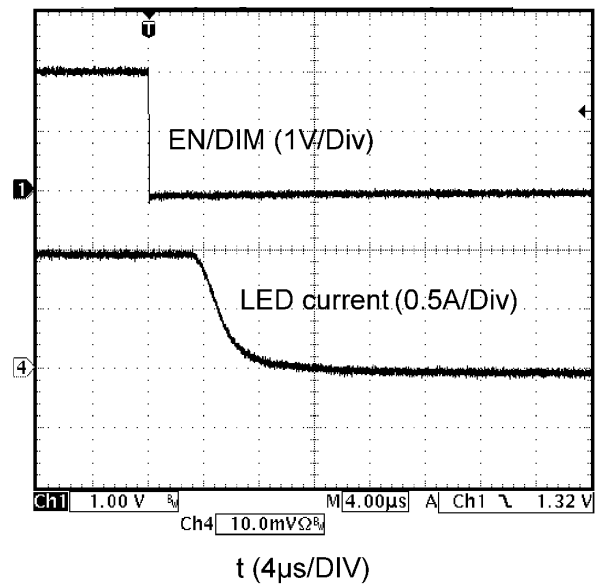


Figure 9. Shutdown during PWM Dimming ( $V_{IN} = 12V, I_F = 1A$ )

7 Layout

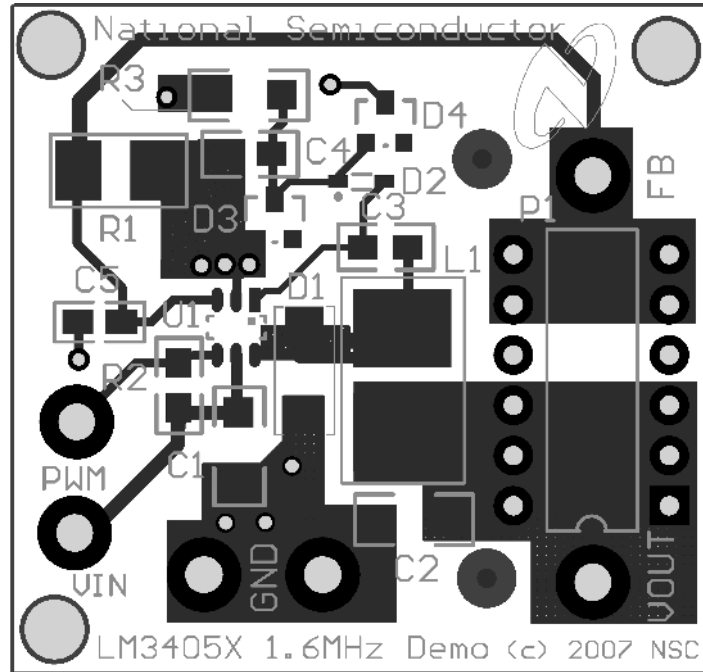


Figure 10. Top Layer and Top Overlay

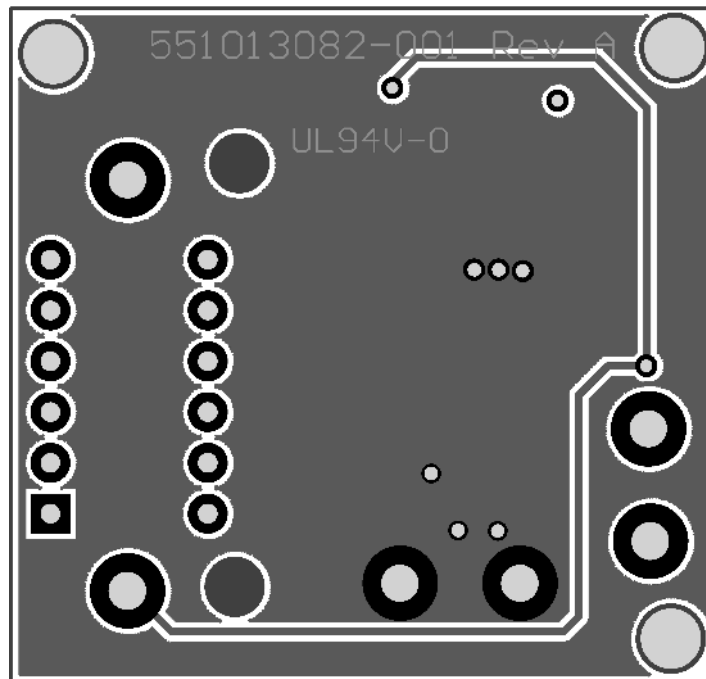
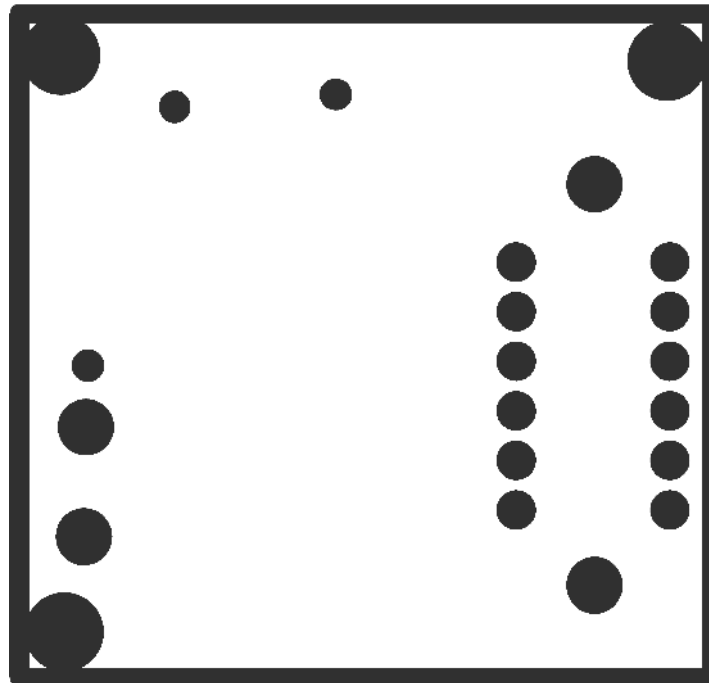
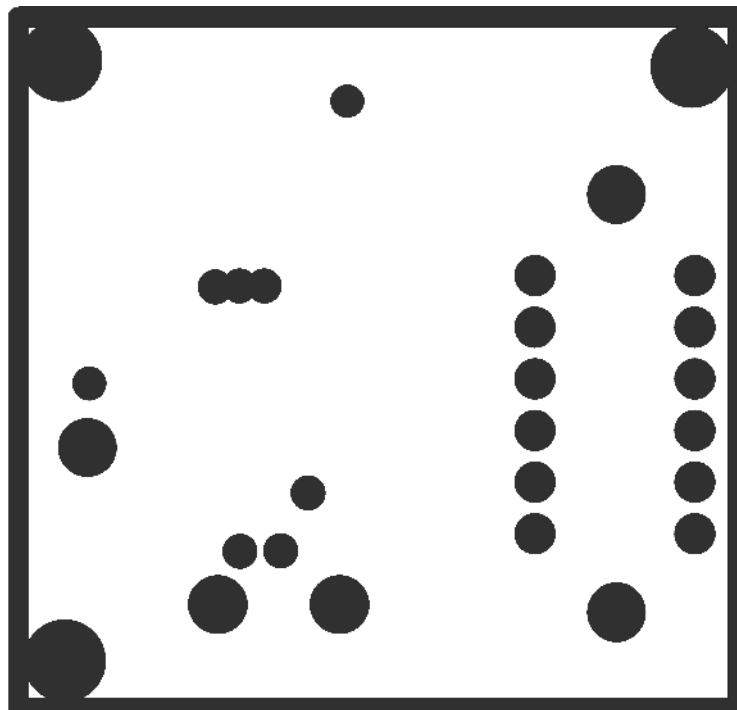


Figure 11. Bottom Layer and Bottom Overlay



**Figure 12. Internal Plane 1 (GND)**



**Figure 13. Internal Plane 2 (V<sub>IN</sub>)**

8 Additional Circuit Configuration Schematics

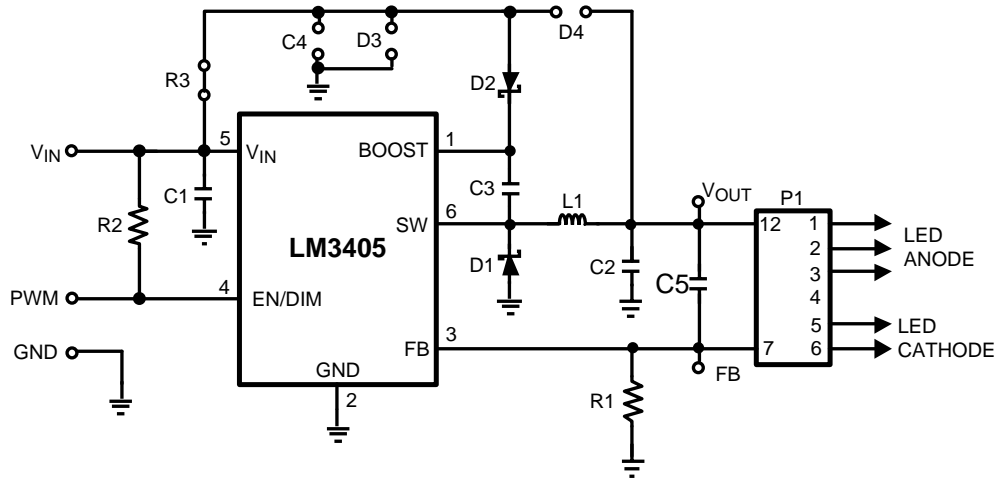


Figure 14.  $V_{BOOST}$  Derived from  $V_{IN}$

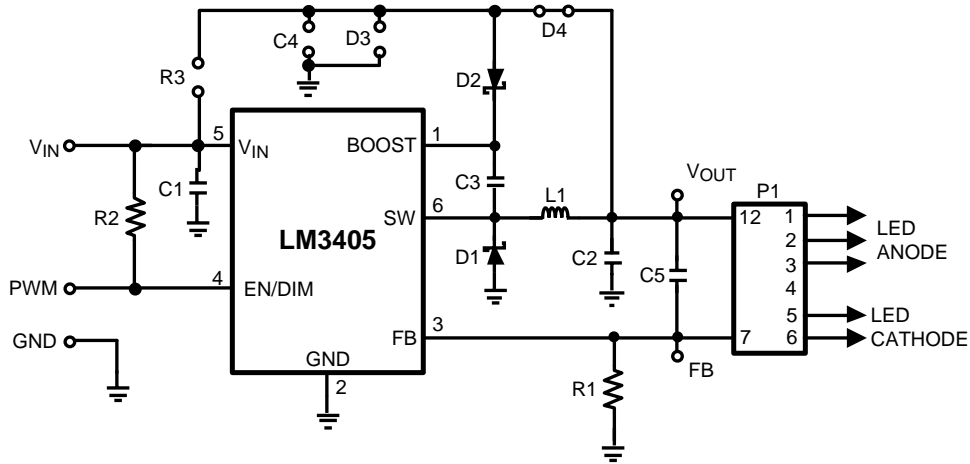


Figure 15.  $V_{BOOST}$  Derived from  $V_{OUT}$

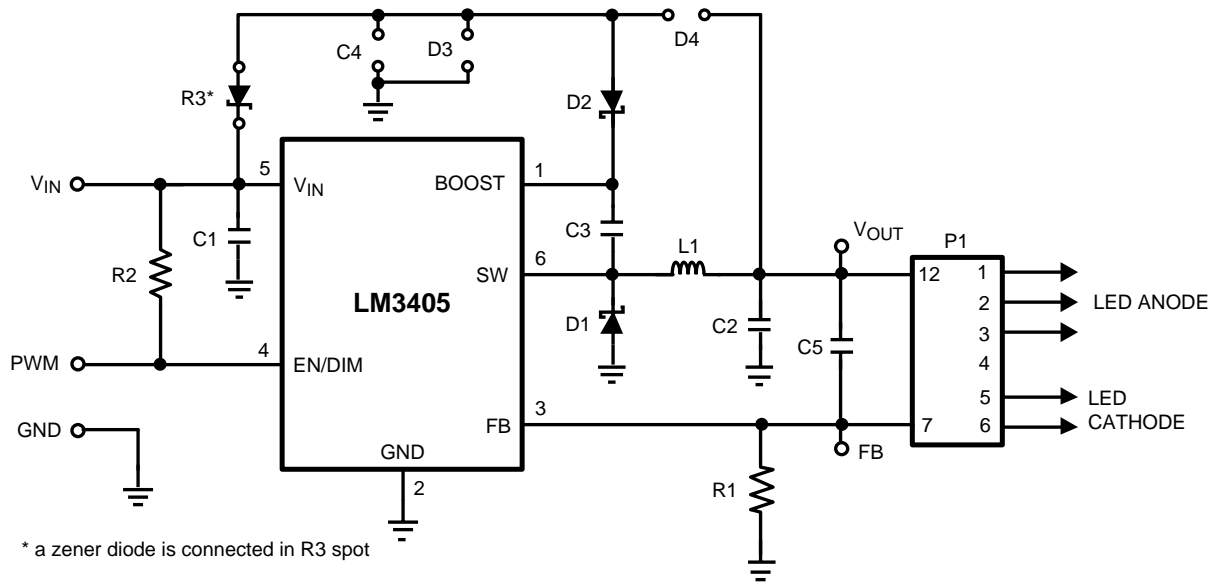


Figure 16.  $V_{BOOST}$  Derived from  $V_{IN}$  through a Series Zener Diode

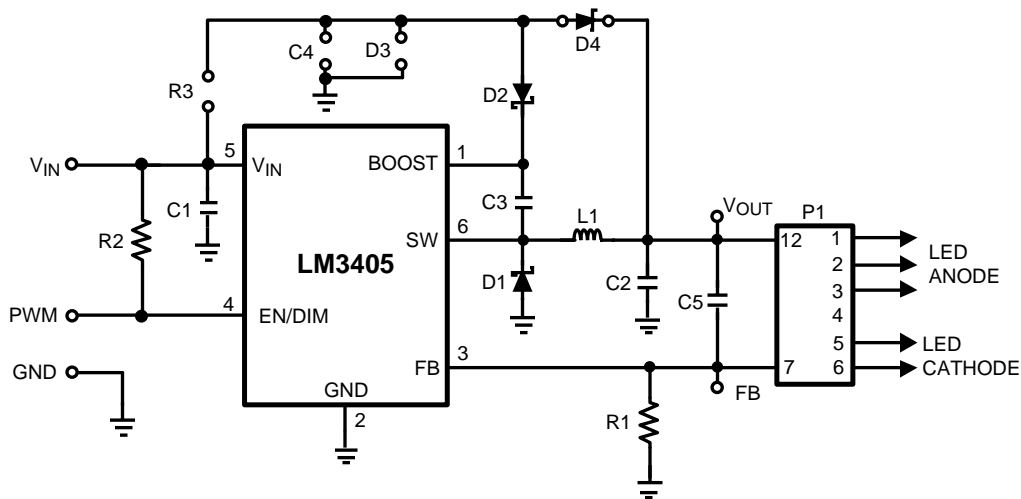


Figure 17.  $V_{BOOST}$  Derived from  $V_{OUT}$  through a Series Zener Diode



## IMPORTANT NOTICE

Texas Instruments Incorporated and its subsidiaries (TI) reserve the right to make corrections, enhancements, improvements and other changes to its semiconductor products and services per JESD46, latest issue, and to discontinue any product or service per JESD48, latest issue. Buyers should obtain the latest relevant information before placing orders and should verify that such information is current and complete. All semiconductor products (also referred to herein as "components") are sold subject to TI's terms and conditions of sale supplied at the time of order acknowledgment.

TI warrants performance of its components to the specifications applicable at the time of sale, in accordance with the warranty in TI's terms and conditions of sale of semiconductor products. Testing and other quality control techniques are used to the extent TI deems necessary to support this warranty. Except where mandated by applicable law, testing of all parameters of each component is not necessarily performed.

TI assumes no liability for applications assistance or the design of Buyers' products. Buyers are responsible for their products and applications using TI components. To minimize the risks associated with Buyers' products and applications, Buyers should provide adequate design and operating safeguards.

TI does not warrant or represent that any license, either express or implied, is granted under any patent right, copyright, mask work right, or other intellectual property right relating to any combination, machine, or process in which TI components or services are used. Information published by TI regarding third-party products or services does not constitute a license to use such products or services or a warranty or endorsement thereof. Use of such information may require a license from a third party under the patents or other intellectual property of the third party, or a license from TI under the patents or other intellectual property of TI.

Reproduction of significant portions of TI information in TI data books or data sheets is permissible only if reproduction is without alteration and is accompanied by all associated warranties, conditions, limitations, and notices. TI is not responsible or liable for such altered documentation. Information of third parties may be subject to additional restrictions.

Resale of TI components or services with statements different from or beyond the parameters stated by TI for that component or service voids all express and any implied warranties for the associated TI component or service and is an unfair and deceptive business practice. TI is not responsible or liable for any such statements.

Buyer acknowledges and agrees that it is solely responsible for compliance with all legal, regulatory and safety-related requirements concerning its products, and any use of TI components in its applications, notwithstanding any applications-related information or support that may be provided by TI. Buyer represents and agrees that it has all the necessary expertise to create and implement safeguards which anticipate dangerous consequences of failures, monitor failures and their consequences, lessen the likelihood of failures that might cause harm and take appropriate remedial actions. Buyer will fully indemnify TI and its representatives against any damages arising out of the use of any TI components in safety-critical applications.

In some cases, TI components may be promoted specifically to facilitate safety-related applications. With such components, TI's goal is to help enable customers to design and create their own end-product solutions that meet applicable functional safety standards and requirements. Nonetheless, such components are subject to these terms.

No TI components are authorized for use in FDA Class III (or similar life-critical medical equipment) unless authorized officers of the parties have executed a special agreement specifically governing such use.

Only those TI components which TI has specifically designated as military grade or "enhanced plastic" are designed and intended for use in military/aerospace applications or environments. Buyer acknowledges and agrees that any military or aerospace use of TI components which have **not** been so designated is solely at the Buyer's risk, and that Buyer is solely responsible for compliance with all legal and regulatory requirements in connection with such use.

TI has specifically designated certain components as meeting ISO/TS16949 requirements, mainly for automotive use. In any case of use of non-designated products, TI will not be responsible for any failure to meet ISO/TS16949.

### Products

Audio	<a href="http://www.ti.com/audio">www.ti.com/audio</a>
Amplifiers	<a href="http://amplifier.ti.com">amplifier.ti.com</a>
Data Converters	<a href="http://dataconverter.ti.com">dataconverter.ti.com</a>
DLP® Products	<a href="http://www.dlp.com">www.dlp.com</a>
DSP	<a href="http://dsp.ti.com">dsp.ti.com</a>
Clocks and Timers	<a href="http://www.ti.com/clocks">www.ti.com/clocks</a>
Interface	<a href="http://interface.ti.com">interface.ti.com</a>
Logic	<a href="http://logic.ti.com">logic.ti.com</a>
Power Mgmt	<a href="http://power.ti.com">power.ti.com</a>
Microcontrollers	<a href="http://microcontroller.ti.com">microcontroller.ti.com</a>
RFID	<a href="http://www.ti-rfid.com">www.ti-rfid.com</a>
OMAP Applications Processors	<a href="http://www.ti.com/omap">www.ti.com/omap</a>
Wireless Connectivity	<a href="http://www.ti.com/wirelessconnectivity">www.ti.com/wirelessconnectivity</a>

### Applications

Automotive and Transportation	<a href="http://www.ti.com/automotive">www.ti.com/automotive</a>
Communications and Telecom	<a href="http://www.ti.com/communications">www.ti.com/communications</a>
Computers and Peripherals	<a href="http://www.ti.com/computers">www.ti.com/computers</a>
Consumer Electronics	<a href="http://www.ti.com/consumer-apps">www.ti.com/consumer-apps</a>
Energy and Lighting	<a href="http://www.ti.com/energy">www.ti.com/energy</a>
Industrial	<a href="http://www.ti.com/industrial">www.ti.com/industrial</a>
Medical	<a href="http://www.ti.com/medical">www.ti.com/medical</a>
Security	<a href="http://www.ti.com/security">www.ti.com/security</a>
Space, Avionics and Defense	<a href="http://www.ti.com/space-avionics-defense">www.ti.com/space-avionics-defense</a>
Video and Imaging	<a href="http://www.ti.com/video">www.ti.com/video</a>

### TI E2E Community

[e2e.ti.com](http://e2e.ti.com)