



Contact Layout

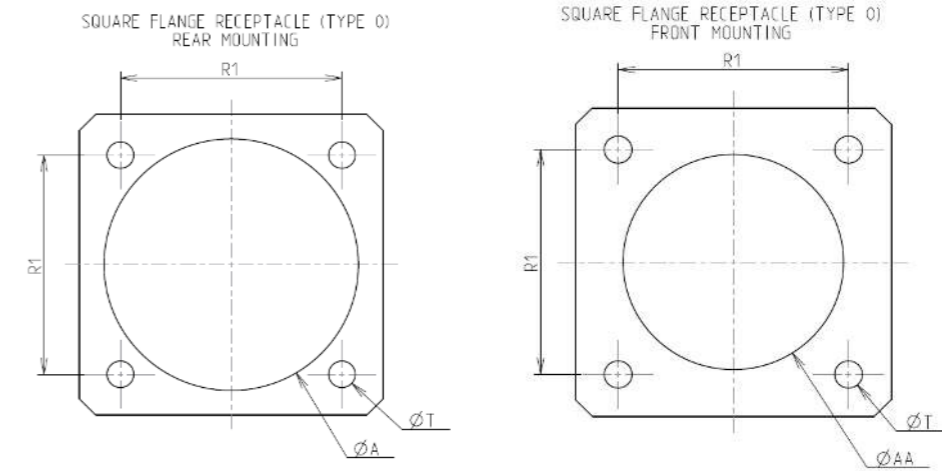


Contacts (Insert arrangement 15-35)					
Contact position ID	Location		Contact position ID	Location	
	X-axis (mm)	Y-axis (mm)		X-axis (mm)	Y-axis (mm)
1	+045 (1.14)	+262 (6.65)	20	+123 (3.12)	+119 (3.02)
2	+123 (3.12)	+217 (5.51)	21	+170 (4.32)	+040 (1.02)
3	+211 (5.36)	+160 (4.06)	22	+170 (4.32)	-050 (1.27)
4	+254 (6.45)	+080 (2.03)	23	+123 (3.12)	-127 (3.23)
5	-200 (0.70)	-010 (2.5)	24	-045 (1.14)	-172 (4.37)
6	+247 (6.27)	-098 (2.49)	25	-045 (1.14)	-127 (4.37)
7	+200 (5.08)	-175 (4.45)	26	-123 (3.12)	-127 (3.23)
8	+130 (3.30)	-232 (5.89)	27	-170 (4.32)	-050 (1.27)
9	+045 (1.14)	-262 (6.65)	28	-170 (4.32)	+040 (1.02)
10	-045 (1.14)	-262 (6.65)	29	-123 (3.12)	+119 (3.02)
11	-130 (3.30)	-232 (5.89)	30	-045 (1.14)	+172 (4.37)
12	-200 (5.08)	-175 (4.45)	31	+045 (1.14)	+074 (1.88)
13	-247 (6.27)	-098 (2.49)	32	+090 (2.29)	-004 (0.10)
14	-266 (6.76)	-010 (2.5)	33	+045 (1.14)	-082 (2.08)
15	-254 (6.45)	+080 (2.03)	34	-045 (1.14)	-082 (2.08)
16	-211 (5.36)	+160 (4.06)	35	-090 (2.29)	-004 (0.10)
17	-123 (3.12)	+217 (5.51)	36	-045 (1.14)	+074 (1.88)
18	-045 (1.14)	+262 (6.65)	37	+000 (0.00)	-004 (0.10)
19	+045 (1.14)	+172 (4.37)			

(Applicable to MIL-DTL-38999 only)

Shell size	Arrangement no.	Number of contacts	Size contacts	Service rating	Contact location	Supersedes
15	-35	37	22D	M	All	MS27528-35

Panel Cutout



Dim	Nominal
ØA	26.59 min
ØAA	23.01 min
R1	24.61
ØT	3.25 ±0.13

SOURIAU shall not be liable for any non-conformity or damage due to a use of the Products which does not comply with the Specifications issued by either of the Parties or by a third party (professional recommendation, technical notice.)

Country	Jurisdiction & Control List
FR	Not Listed

PN: 8D015K35AA

A	12-10-2016	First Release	
ISS	DATE	Latest modification - by	MOD N°
Designed By:		Date:	<b>CUSTOMER DRAWING</b>
<b>TITLE</b>	<b>Stainless Steel Receptacle 8D series</b>		
SCALE		General linear Tolerances:	NPRDS / PROJECT
NA		±--	<b>859</b>
<b>SOURIAU</b>	<b>WWW.SOURIAU.COM</b>		This document is the property of SOURIAU it must not be reproduced or communicated without permission
FORMAT	<b>SOURIAU DRG N° 8D015K35AA-C</b>		SHEET 2/2