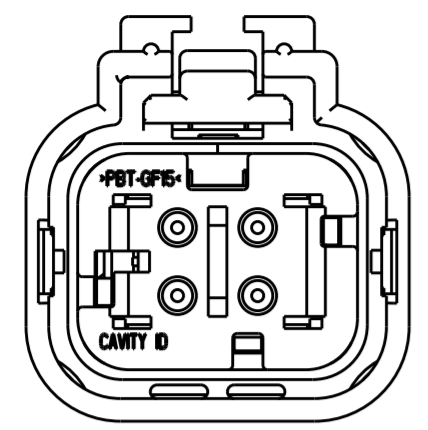
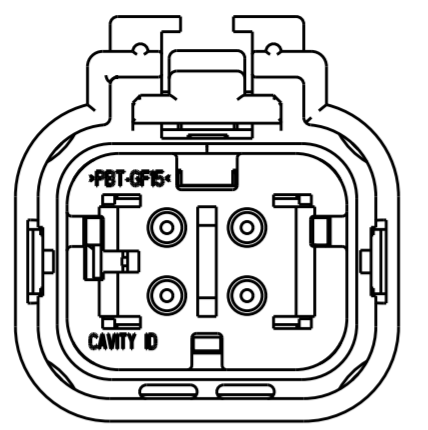


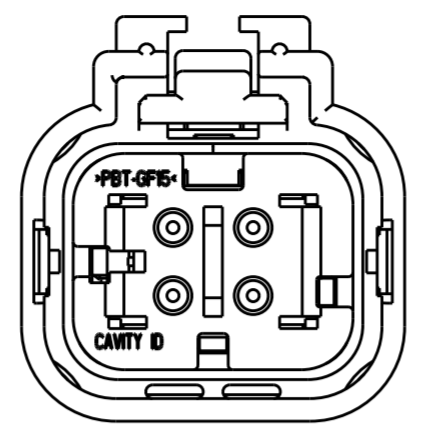
REVISIONS					
P	LTR	DESCRIPTION	DATE	DWN	APVD
A		RELEASED PER ECO-09-026562	30NOV2009	DD	RB
B		REVISED PER ECO-13-019865	27DEC2013	DR	RB



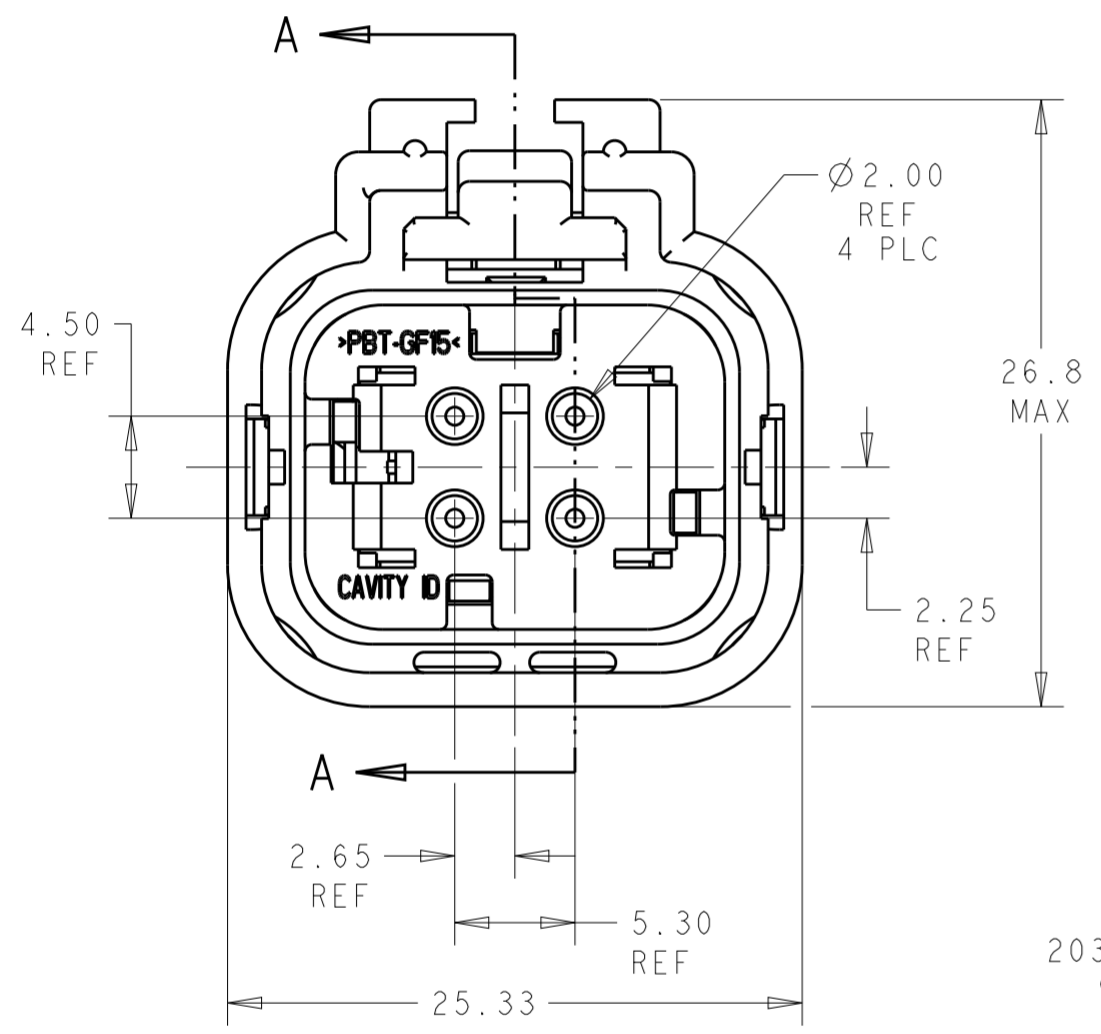
2035380-2  
PURPLE TPA  
KEY B  
SCALE 2:1



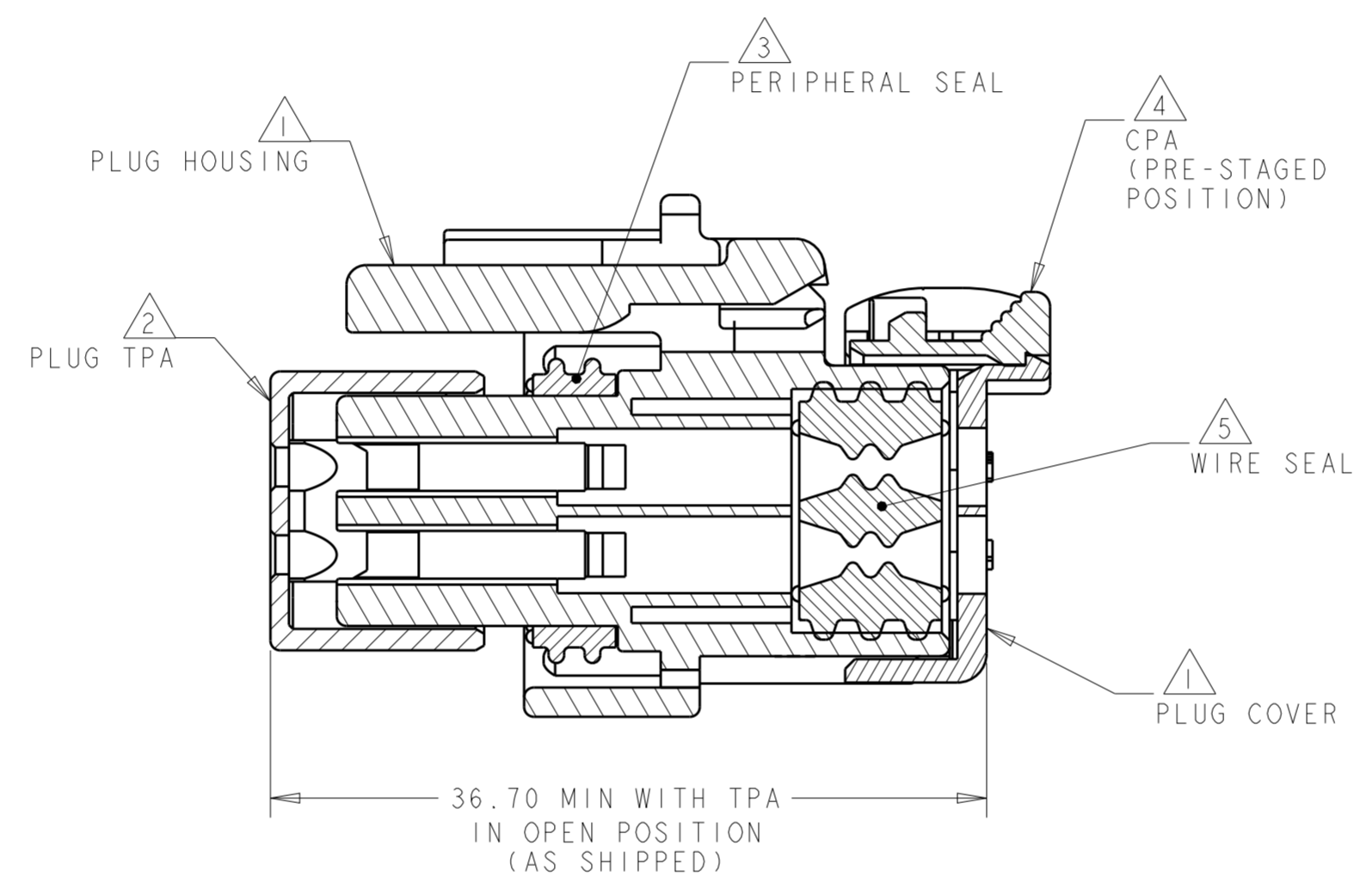
2035380-3  
BLUE TPA  
KEY C  
SCALE 2:1



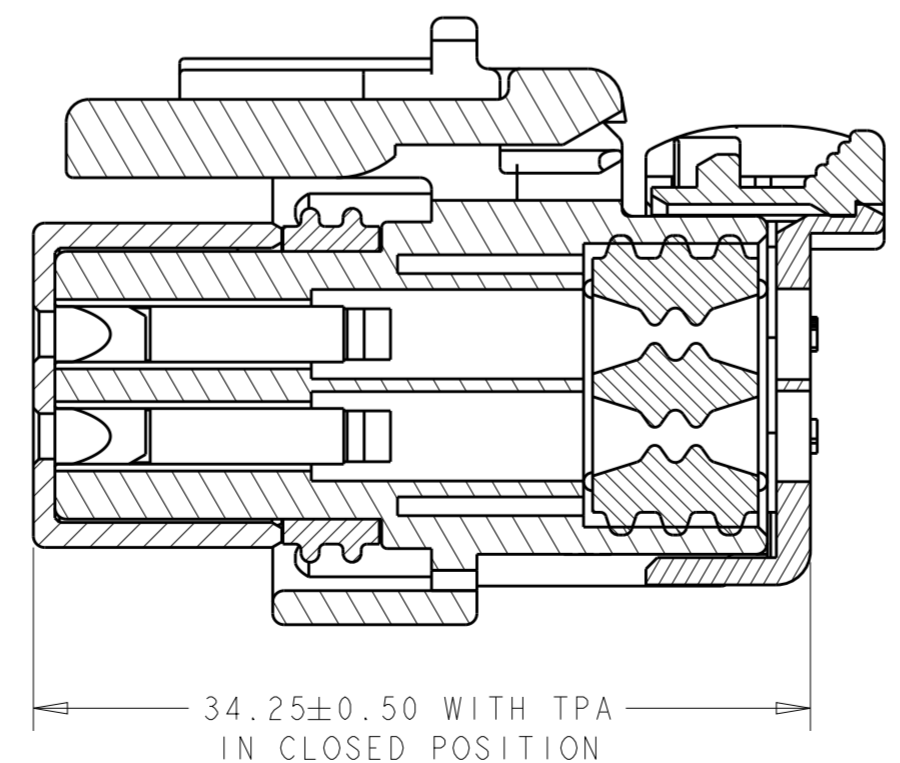
2035380-4  
TAN TPA  
KEY D  
SCALE 2:1



2035380-1 SHOWN  
ORANGE TPA  
KEY A

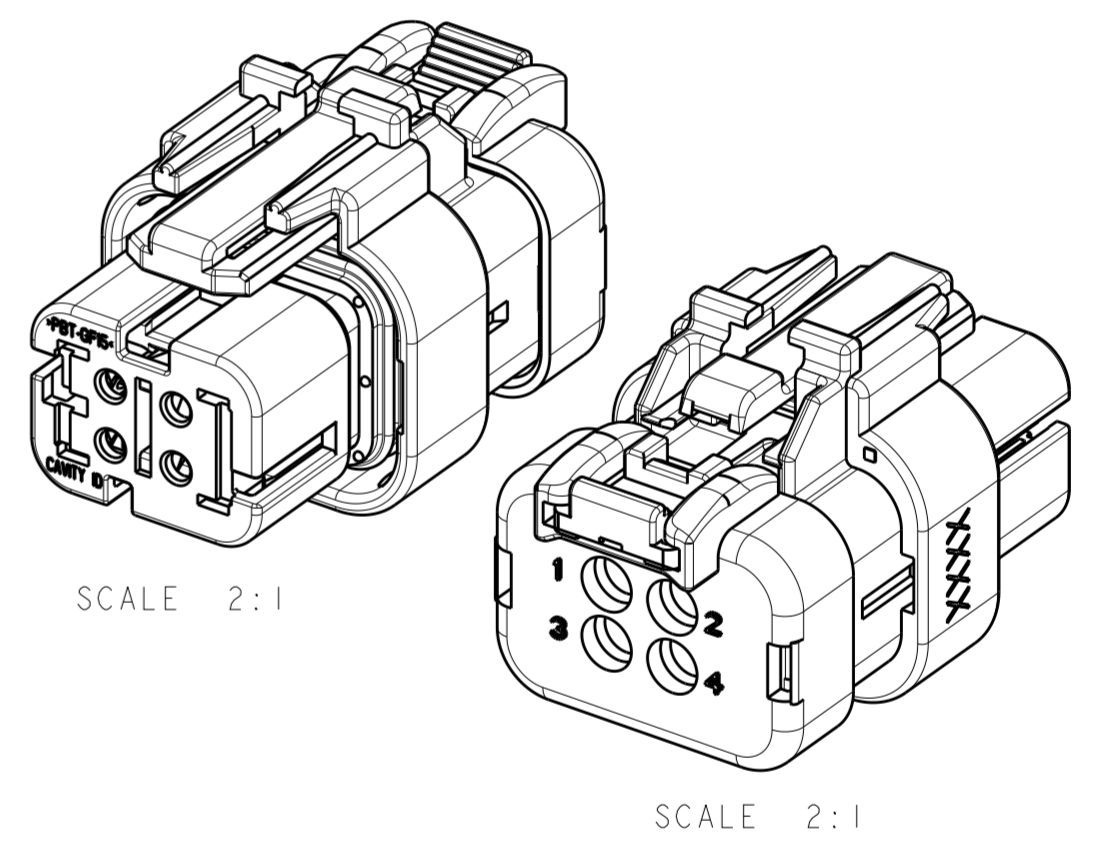


SECTION A-A



SECTION A-A

- 1 HOUSING AND COVER MATERIAL: 25% GLASS FILLED THERMOPLASTIC, COLOR: NATURAL (BROWN)
- 2 TPA MATERIAL: 20% GLASS FILLED THERMOPLASTIC, COLOR: (SEE TABLE)
- 3 PERIPHERAL SEAL MATERIAL: SILICONE COLOR: TAN
- 4 CPA MATERIAL: 20% GLASS FILLED THERMOPLASTIC, COLOR: ORANGE
- 5 WIRE SEAL MATERIAL: SILICONE COLOR: RUST
- 6. RECOMMENDED WIRE DIAMETER RANGE IS 1.30 TO 2.54mm



D	TAN	2035380-4
C	BLUE	2035380-3
B	PURPLE	2035380-2
A	ORANGE	2035380-1
KEY	TPA COLOR	PART NUMBER

THIS DRAWING IS A CONTROLLED DOCUMENT.		DWN 13 JUL 2009 RUSTY WORTHINGTON	TE Connectivity
DIMENSIONS: mm		CHK 13 JUL 2009 ROGER BALTER	
TOLERANCES UNLESS OTHERWISE SPECIFIED:		APVD 13 JUL 2009 ROGER BALTER	NAME
0 PLC ±	1 PLC ±0.5	PRODUCT SPEC	PLUG ASSEMBLY,
2 PLC ±0.30	3 PLC ±	108-2184	4 POSITION, DUAL ROW, AMPSEAL 16
4 PLC ±	ANGLES ±1°	114-13065	REDUCED DIA WIRE SEAL, VO MATERIAL
MATERIAL SEE NOTES	FINISH -	WEIGHT 12.5±1g	RESTRICTED TO
		CUSTOMER DRAWING	SIZE CAGE CODE DRAWING NO
		SCALE 3:1	A200779 C-2035380
		SHEET 1 OF 1	REV B