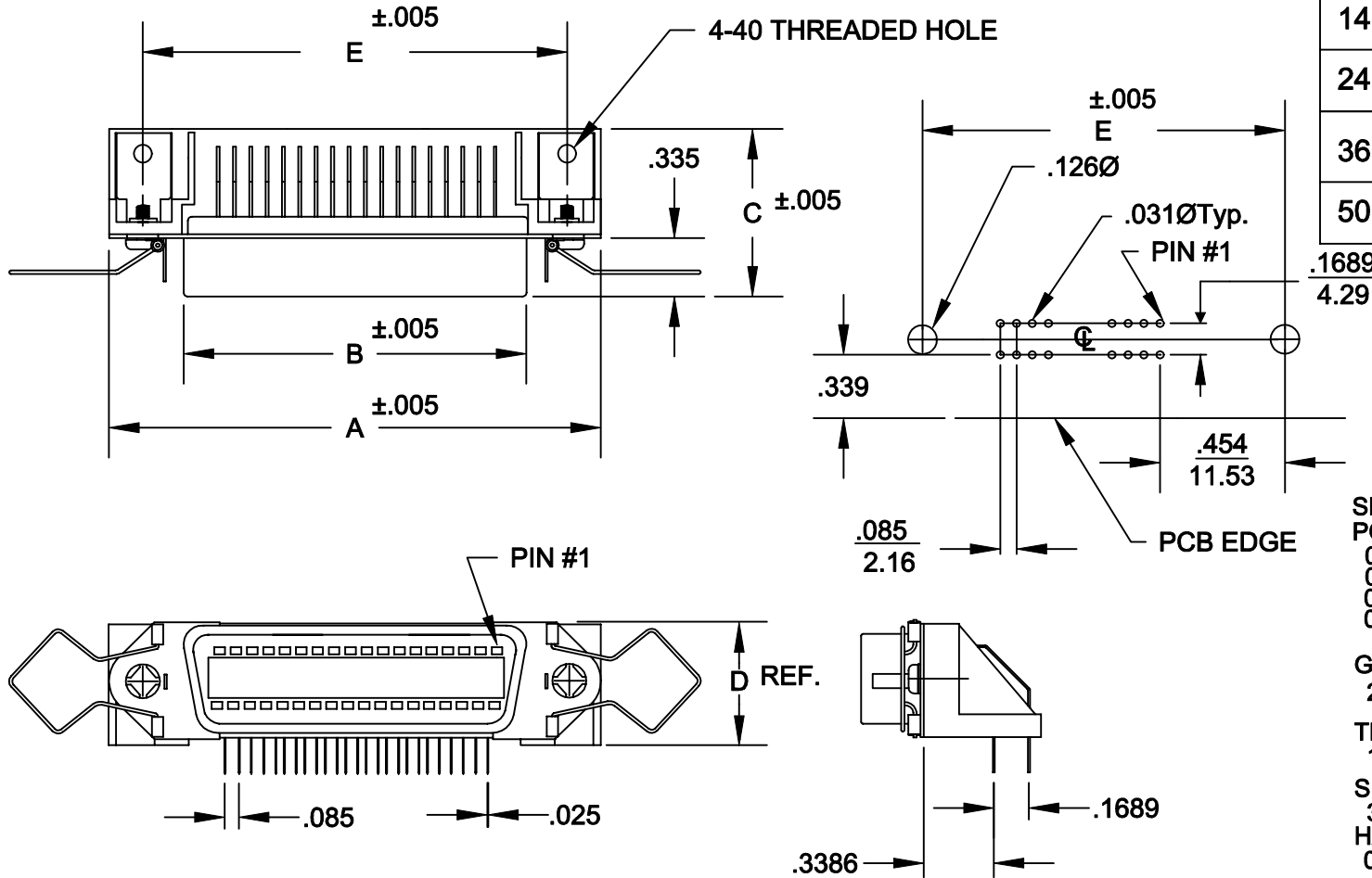


DESCRIPTION: .085" RIBBON FEMALE R/A BOARD MOUNT



	A	B	C	D	E
14	1.721	1.992	.969	.610	1.417
	43.70	25.20	24.60	15.50	35.99
24	2.146	1.417	.969	.610	1.842
	54.50	36.00	24.60	15.50	46.79
36	2.662	1.925	.969	.610	2.352
	67.60	48.90	24.60	15.50	59.74
50	3.260	2.520	.969	.610	2.947
	82.80	64.00	24.60	15.50	74.85

112-XXX-213-001

SERIES \_\_\_\_\_

POSITIONS \_\_\_\_\_

014 \_\_\_\_\_

024 \_\_\_\_\_

036 \_\_\_\_\_

050 \_\_\_\_\_

GENDER \_\_\_\_\_

2 = FEMALE

TERMINATION \_\_\_\_\_

1 = DIP SOLDER

SHELL PLATING \_\_\_\_\_

3 = NICKEL

HARDWARE OPTIONS \_\_\_\_\_


00 = 4-40 THREAD PCB

PLATING OPTIONS \_\_\_\_\_

01 = GOLD FLASH

**MATERIALS:**  
**SHELL: STEEL, ZINC PLATED**  
**INSULATOR: GLASSFILLED THERMOPLASTIC - UL RATED 94V-0**  
**CONTACTS: PHOSPHOR BRONZE - GOLD FLASH PLATING**

**ELECTRICALS:**  
**CONTACT CURRENT RATING: 5 AMPS**  
**DIELECTRIC STRENGTH: 100V FOR ONE MINUTE**  
**INSULATION RESISTANCE: 1000 MOHMS MINIMUM**  
**AT 500V DC**  
**OPERATING TEMPERATURE: -55°C TO +105°C**

	THESE DRAWINGS AND SPECIFICATIONS ARE THE PROPERTY OF NorComp AND SHALL NOT BE REPRODUCED, COPIED OR USED AS THE BASIS FOR THE MANUFACTURE OF SALE OF APPARATUS WITHOUT WRITTEN PERMISSION.	DRAWN: WAYNE ROBBINS DATE: 9-21-98
		CHECKED: _____ DATE: _____
<h1>NorComp</h1>		SCALE: 1:1      SHEET 1 OF 1      REV 8
		DWG NO. 112-XXX-213-001