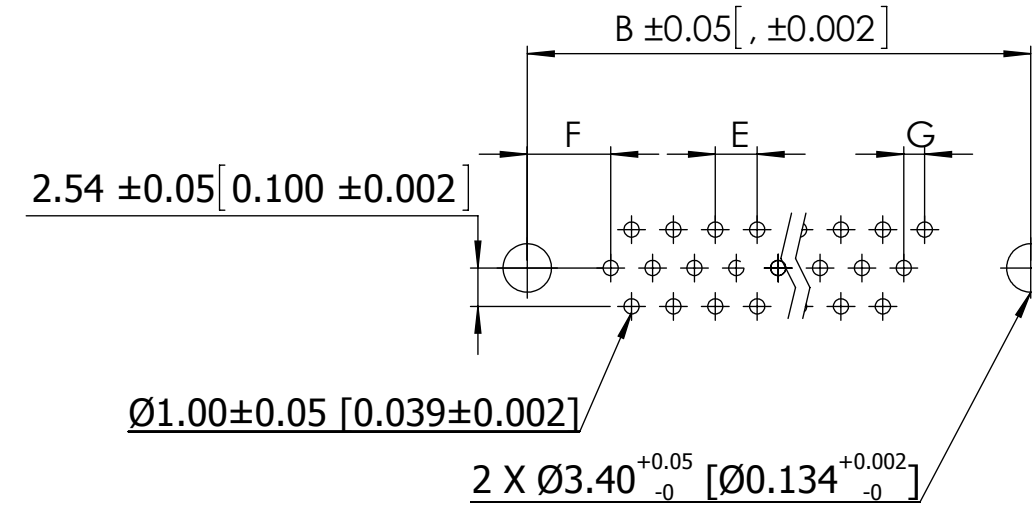
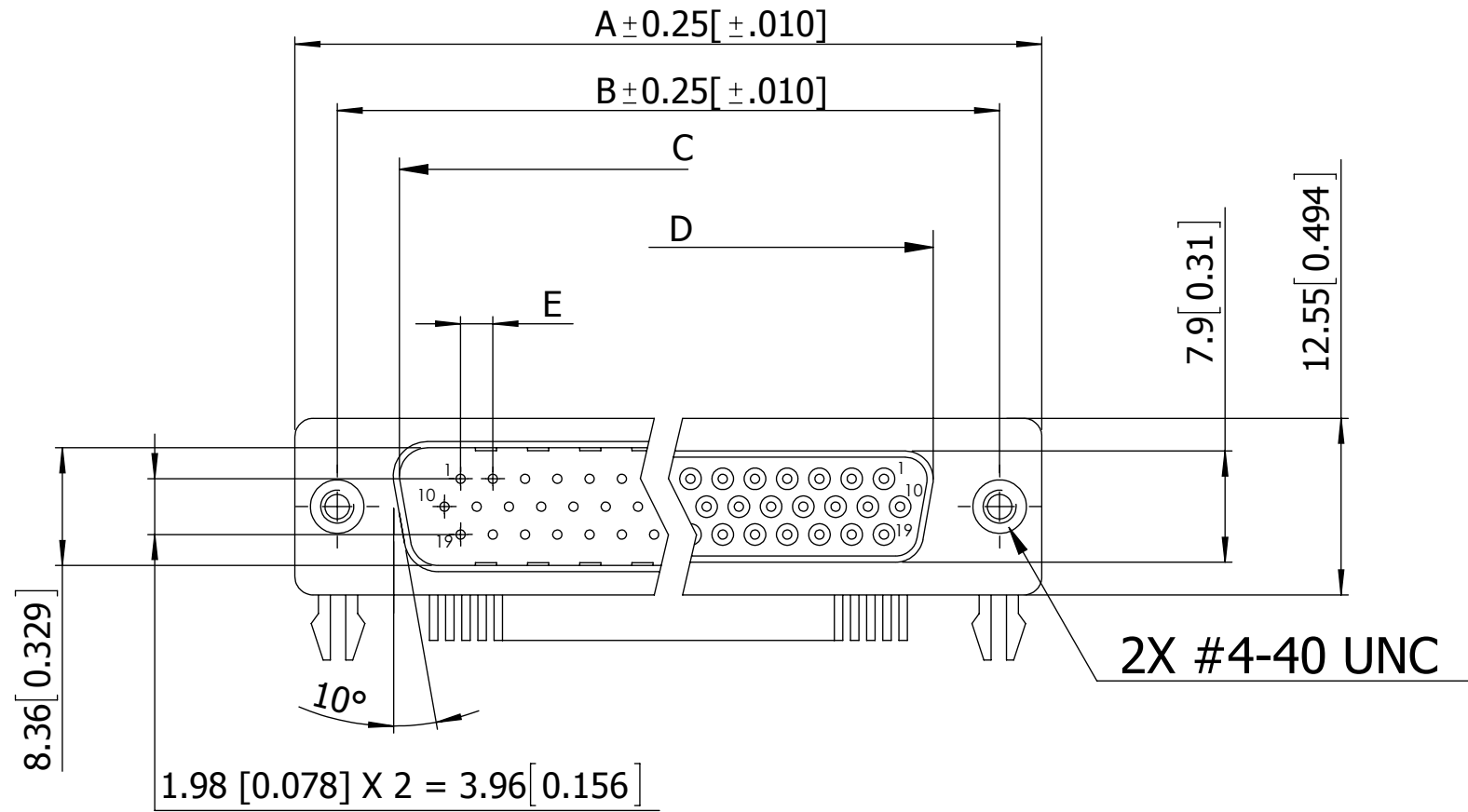


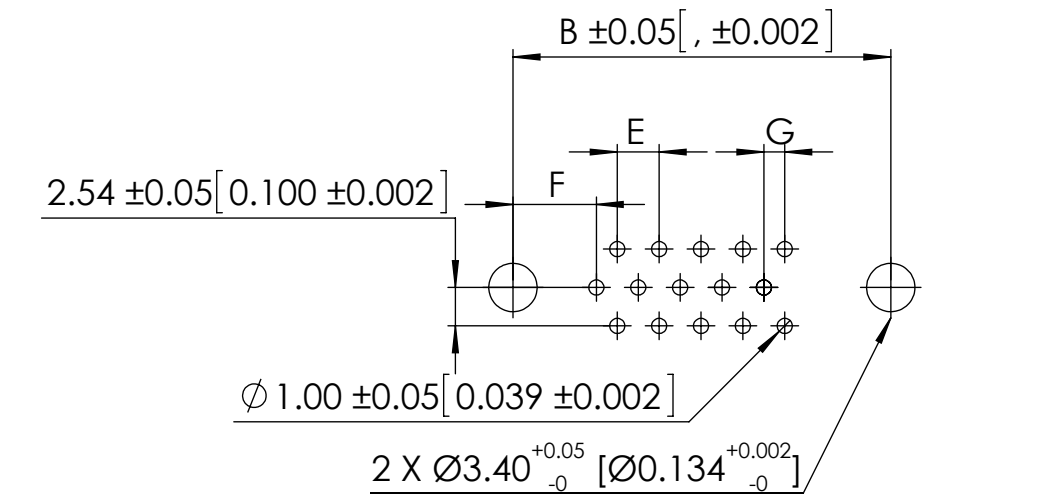
# DIMENSIONS

POSITIONS	A		B		C		D		E		F		G	
	MM	INCH	MM	INCH	MM	INCH	MM	INCH	MM	INCH	MM	INCH	MM	INCH
15	30.81	1.213	24.99	0.984	16.92	0.666	16.33	0.643	2.29	0.090	7.04	0.277	1.145	0.0451
26	39.20	1.543	33.30	1.311	25.25	0.994	24.70	0.972	2.29	0.090	6.88	0.271	1.145	0.0451
44	53.05	2.088	47.04	1.852	38.96	1.534	38.40	1.512	2.29	0.090	6.88	0.271	1.145	0.0451
62	69.40	2.732	63.50	2.500	55.42	2.182	54.80	2.158	2.41	0.095	7.00	0.276	1.205	0.0474

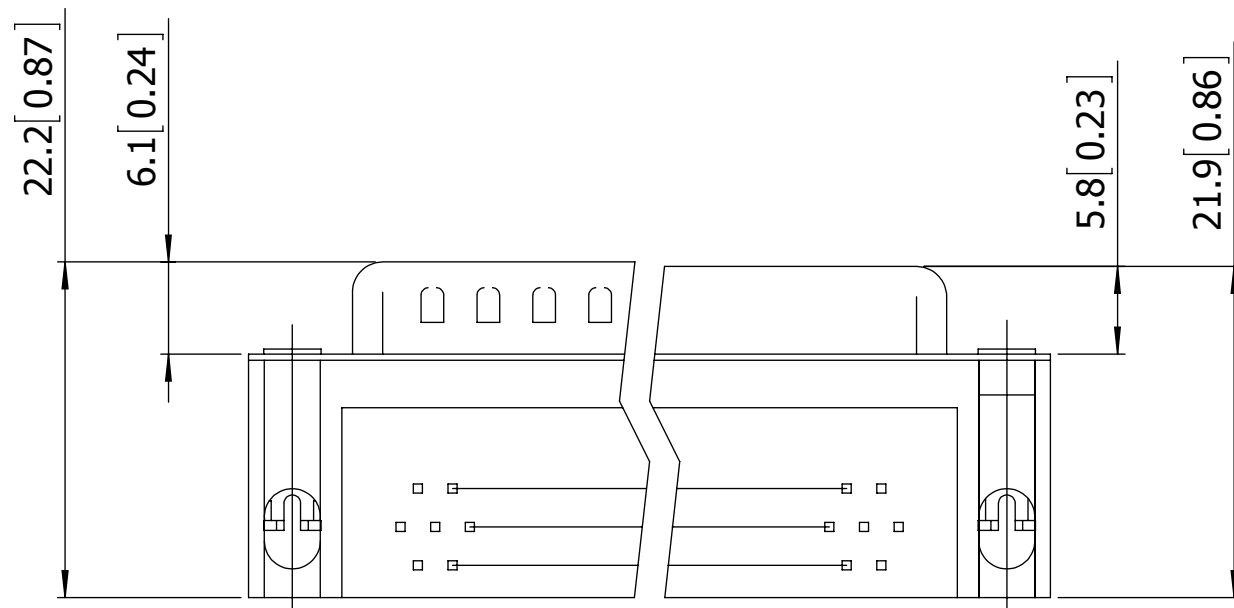
REVISIONS				
REV.	ECO. NO	DESCRIPTION	DATE	BY
C	2616	REMOVE 'B' & 'N' PLATING	06/14/2012	LH
D	2772	ADD 15 POSITIONS PCB LAYOUT AND UPDATE PCB LAYOUT BOARD-LOCK HOLE 3.40mm(WAS 3.05mm) & UPDATE DIMENSION TABLE "F" 26 & 44 POSITIONS 6.88mm(WAS 7.04mm)	07/12/2013	LH



**RECOMMENDED PCB LAYOUT  
26,44,62 POSITIONS MALE**

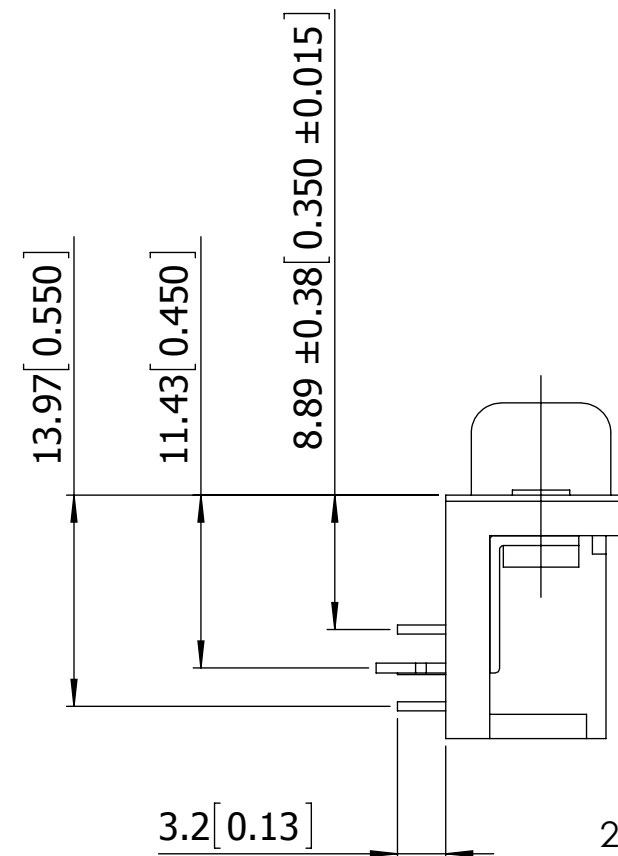


**RECOMMENDED PCB LAYOUT  
15 POSITIONS MALE**

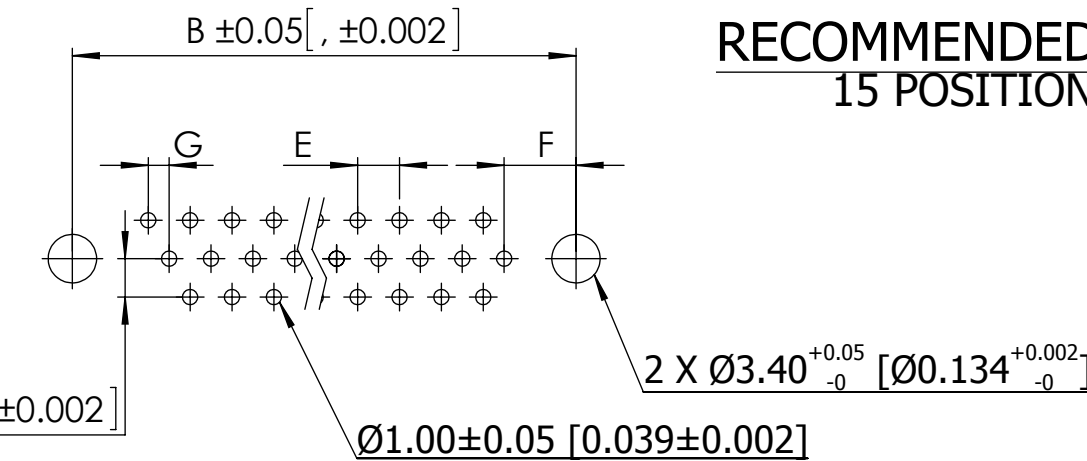


**15,26,44,62 POSITIONS**

( PN EXAMPLE: SDS108-PRW2-M15-SN13-1 )



2.54 ± 0.05 [0.100 ± 0.002]

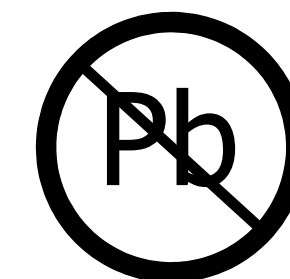


**RECOMMENDED PCB LAYOUT  
15 POSITIONS FEMALE**

**RECOMMENDED PCB LAYOUT  
26,44,62 POSITIONS FEMALE**

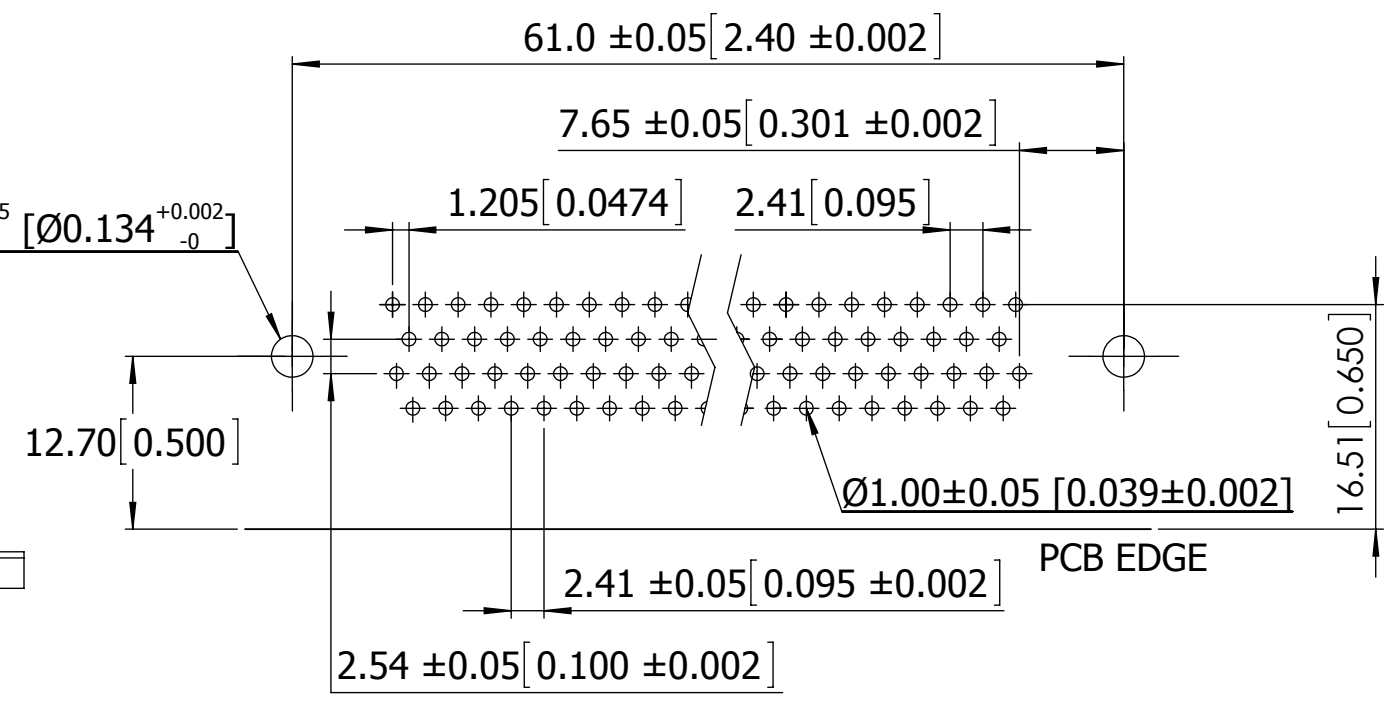
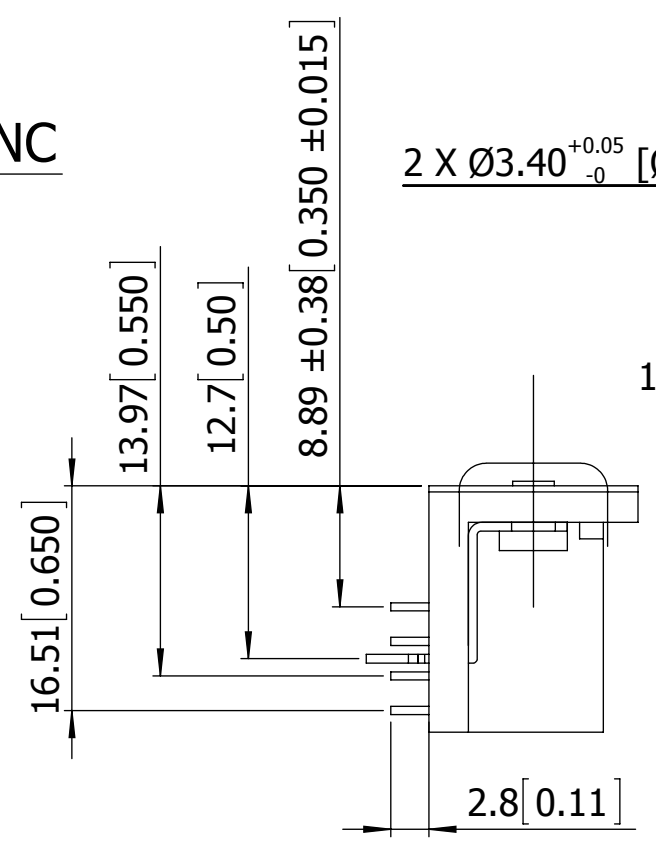
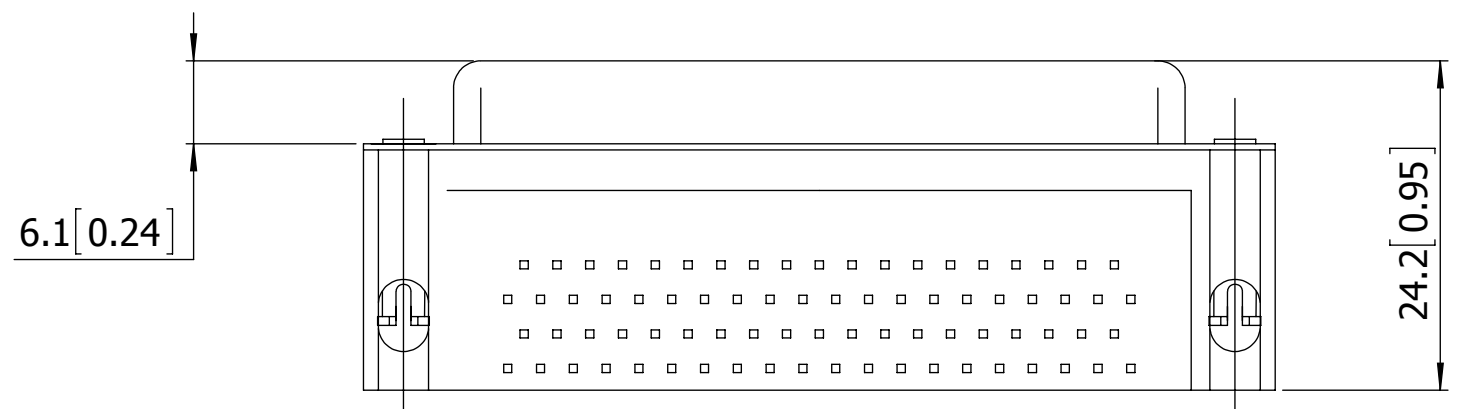
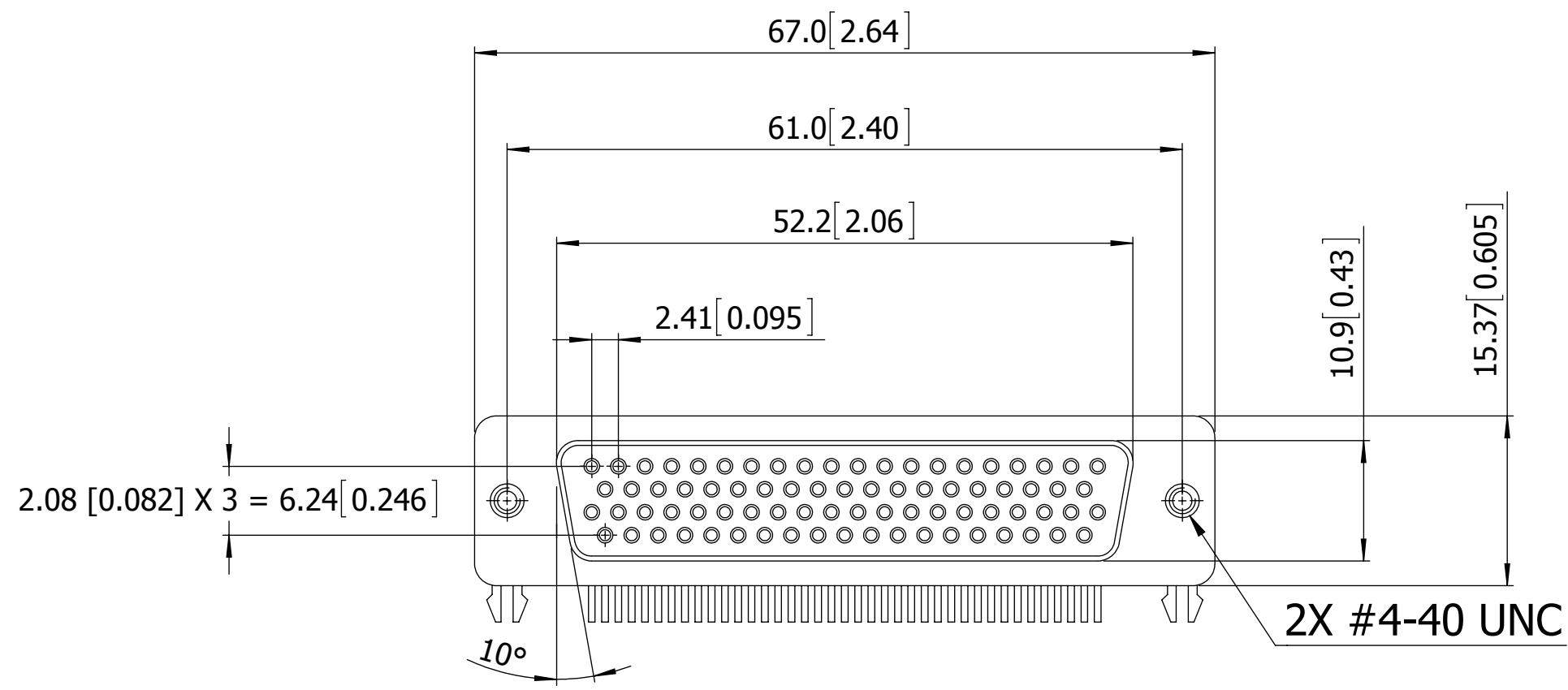
- NOTES:**  
**MATERIAL**  
 INSULATOR : GLASS-FILLED THERMOPLASTIC PBT, UL94V-0  
 CONTACT: BRASS  
 SHELL : SPCC, .000100" TIN OVER .000050" MIN. COPPER (STANDARD, SEE PAGE 4)  
 CLINCH NUT : BRASS, NICKEL PLATED  
 BOARDLOCK : BRASS, TIN PLATED  
 SCREWLOCK : STEEL, NICKEL PLATED  
 OPERATING TEMPERATURE : -55 °C TO +105 °C

- ELECTRICAL**  
 CONTACT RESISTANCE : 20 MILLIOHMS MAX AT 1 AMP DC  
 INSULATION RESISTANCE : 1000 MAGOHMS AT 500 VDC  
 DIELECTRIC WITHSTANDING VOLTAGE : 1000 VAC/RMS 60Hz FOR 1 MINUTE  
 CURRENT RATING : 3 AMPS  
 VOLATGE RATING : 250 VAC/RMS 60Hz



RoHS COMPLIANT

UNLESS OTHERWISE SPECIFIED: DIMENSIONS ARE IN MM [INCHES]	DRAWN	DATE	NAME	
		07/01/2011	LH	
TOLERANCES: ANGULAR: ± 3°  DECIMALS X.= ± 0.38 [0.15] X.= ± 0.25 [0.10] .XX= ± 0.13 [0.05]	THE INFORMATION HEREIN CONTAINS PROPRIETARY INFORMATION OF SULLINS ELECTRONICS AND IS NOT TO BE REPRODUCED, USED OR DISCLOSED TO OTHERS FOR ANY PURPOSE EXCEPT AS SPECIFICALLY AUTHORIZED IN WRITING BY AN OFFICER OF SULLINS ELECTRONICS.			TITLE
				108 SERIES D-SUB H.D. RIGHT ANGLE TYPE
PART NUMBER				SDS108-PR _ _ _ -SN _ _ -1
SIZE	CAGE CODE	DWG. NO.	REV	
C	54453	11779	D	
SCALE: 1:8			SHEET 1 OF 4	

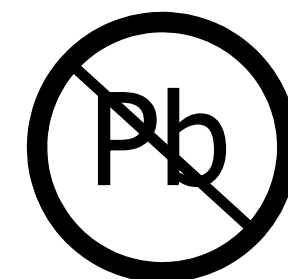
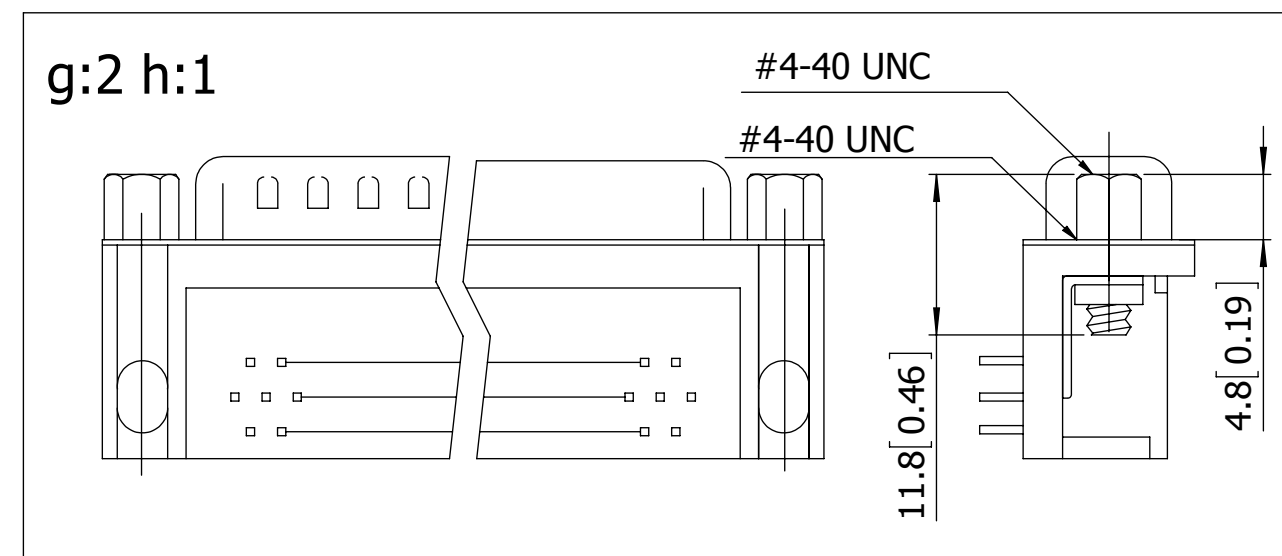
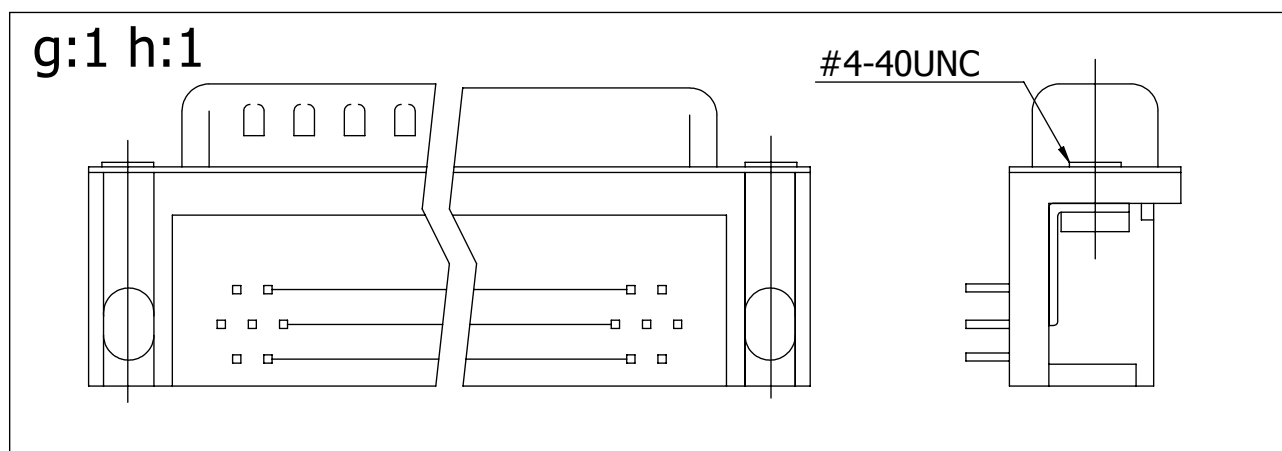
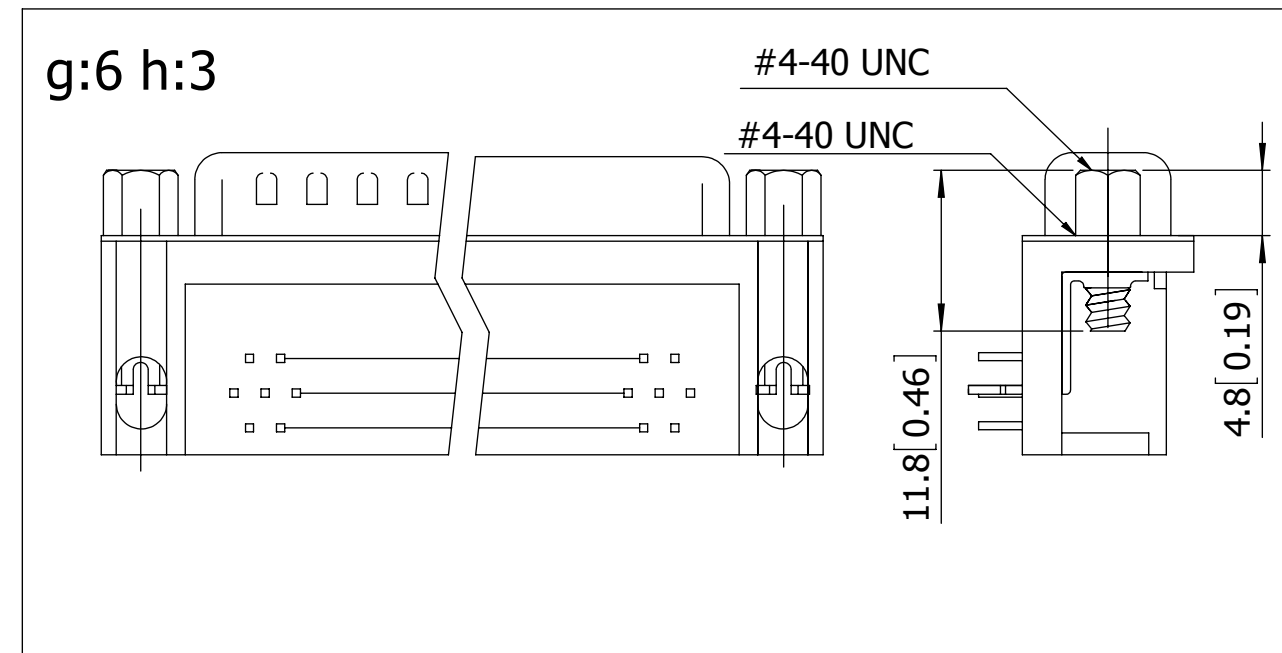
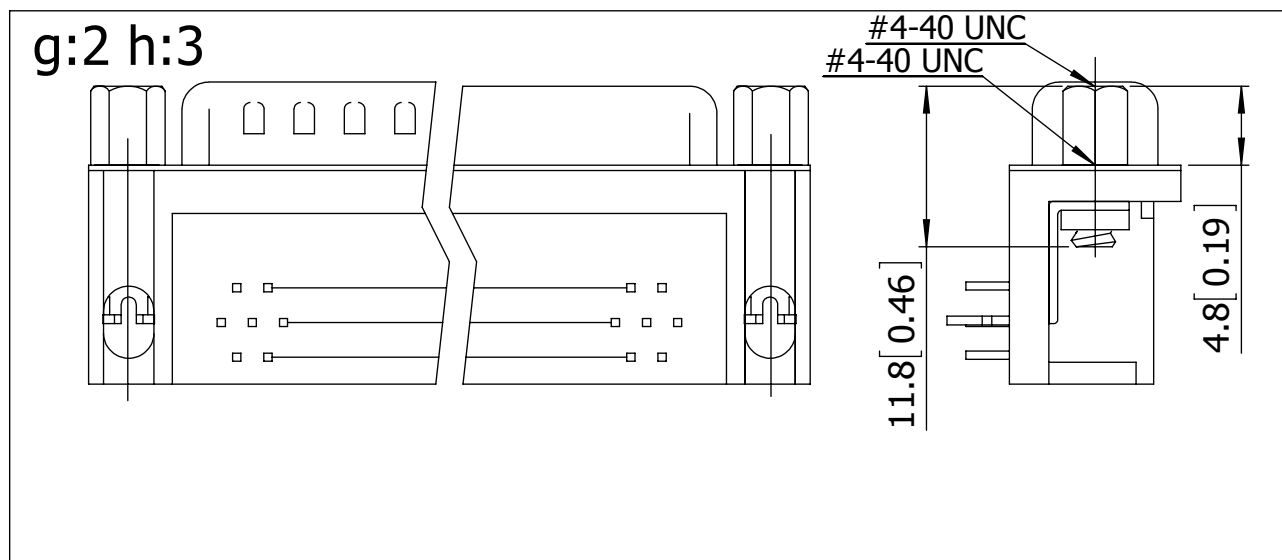
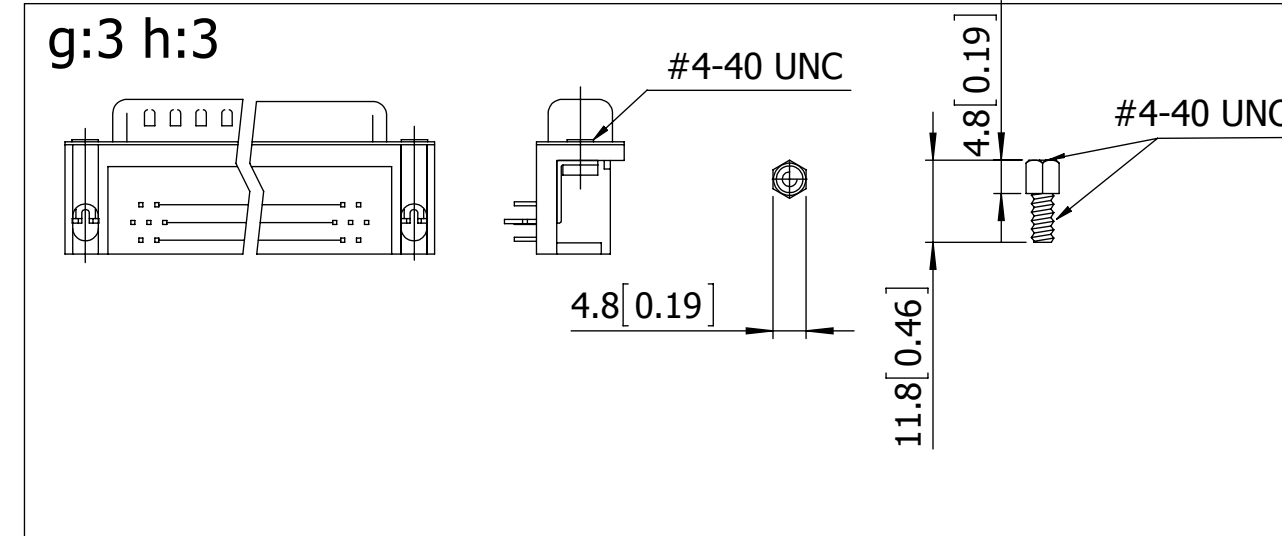
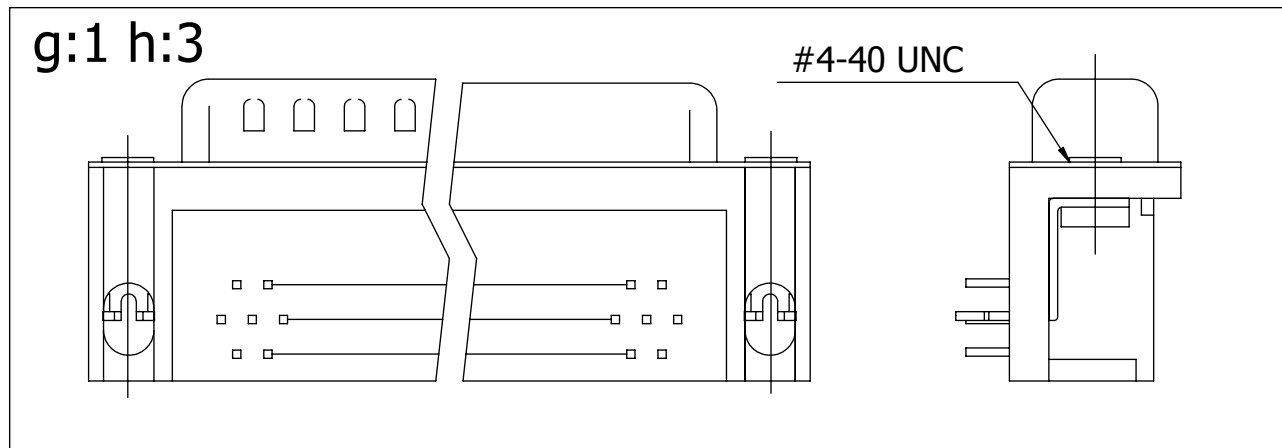


**RECOMMENDED PCB LAYOUT**  
78 POSITIONS MALE / FEMALE

**78 POSITIONS**  
( PN EXAMPLE: SDS108-PRW2-M78-SN13-1 )



UNLESS OTHERWISE SPECIFIED: DIMENSIONS ARE IN MM [INCHES]		DRAWN	DATE	NAME	
TOLERANCES: ANGULAR: ± 3° DECIMALS X.= ± 0.38 [.015] X.= ± 0.25 [.010] .XX= ± 0.13 [.005]			07/01/2011	LH	
<small>THE INFORMATION HEREIN CONTAINS PROPRIETARY INFORMATION OF SULLINS ELECTRONICS AND IS NOT TO BE REPRODUCED, USED OR DISCLOSED TO OTHERS FOR ANY PURPOSE EXCEPT AS SPECIFICALLY AUTHORIZED IN WRITING BY AN OFFICER OF SULLINS ELECTRONICS.</small>					<b>TITLE</b> 108 SERIES D-SUB H.D. RIGHT ANGLE TYPE <b>PART NUMBER</b> SDS108-PR_ _ _ _ -SN_ _ -1
SIZE	CAGE CODE	DWG. NO.	REV		
C	54453	11779	D		
SCALE: 1:8			SHEET 2 OF 4		



RoHS COMPLIANT

UNLESS OTHERWISE SPECIFIED:  
DIMENSIONS ARE IN MM [INCHES]

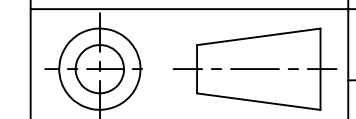
TOLERANCES:

ANGULAR:  $\pm 3^\circ$

DECIMALS  
X.=  $\pm 0.38$  [015]  
X.=  $\pm 0.25$  [010]  
.XX=  $\pm 0.13$  [005]

DRAWN	DATE	NAME
	07/01/2011	LH

THE INFORMATION HEREIN CONTAINS PROPRIETARY INFORMATION OF SULLINS ELECTRONICS AND IS NOT TO BE REPRODUCED, USED OR DISCLOSED TO OTHERS FOR ANY PURPOSE EXCEPT AS SPECIFICALLY AUTHORIZED IN WRITING BY AN OFFICER OF SULLINS ELECTRONICS.



TITLE  
**108 SERIES D-SUB H.D. RIGHT ANGLE TYPE**

PART NUMBER  
**SDS108-PR \_ \_ \_ -SN \_ \_ -1**

SIZE	CAGE CODE	DWG. NO.	REV
<b>C</b>	<b>54453</b>	<b>11779</b>	<b>D</b>

SCALE: 1:8 SHEET 3 OF 4

# SDS108-PR     -             - S N         - 1

a b c d e f g h i

**a. CONTACT PLATING**

( ALL PLATINGS HAVE .000050" NICKEL UNDERPLATE)

W = GOLD FLASH ON CONTACT SURFACE,

.000100" PURE TIN ON TERMINATION.

U = .000015" GOLD ON CONTACT SURFACE,

.000100" PURE TIN ON TERMINATION.

C = .000030" GOLD ON CONTACT SURFACE,

.000100" PURE TIN ON TERMINATION.

P = GOLD FLASH OVERALL.

**b. SHELL PLATING**

1 = NICKEL

2 = TIN (STANDARD)

**c. CONTACT TYPE**

M = MALE

F = FEMALE

**d. NO. OF CONTACTS**

15 = 15 POSITIONS

26 = 26 POSITIONS

44 = 44 POSITIONS

62 = 62 POSITIONS

78 = 78 POSITIONS

**e. PIN TYPE**

S = STAMPED PIN

**f. FERRITE**

N = WITHOUT FERRITE

**g. FLANGE MOUNTING OPTION**

0 = Ø3.05mm [Ø0.120] CLEARANCE HOLE (COMBINE WITH ITEM h: 0 ONLY)

1 = #4-40 FEMALE THREAD (COMBINE WITH h:1 OR h:3)

2 = #4-40 UNC (4.8 X 11.8mm [0.19 X 0.46]) FEMALE SCREWLOCK INSTALLED (COMBINE WITH h:1 OR h:3)

3 = #4-40 UNC (4.8 X 11.8mm [0.19 X 0.46]) FEMALE SCREWLOCK BULK-PACKED (COMBINE WITH h:1 OR h:3)

\*\* 6 = #4-40 UNC (4.8 X 11.8mm [0.19 X 0.46]) FEMALE SCREWLOCK INSTALLED (COMBINE WITH h:3 ONLY)

\*\* REMOVE SCREWLOCK TO DISASSEMBLE BOARDLOCK BRACKET

**h. RIVET OPTIONS**

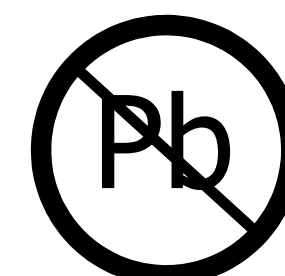
0 = NONE

1 = GROUNDING STRAP ON PANEL

3 = GROUNDING HOOK BOARDLOCK+2 PRONG

**i. INSULATOR COLOR**

1 = BLACK (STANDARD)



RoHS COMPLIANT

UNLESS OTHERWISE SPECIFIED: DIMENSIONS ARE IN MM [INCHES]		DRAWN	DATE	NAME		
			07/01/2011	LH		
TOLERANCES: ANGULAR: ± 3°  DECIMALS X.= ± 0.38 [.015] X.= ± 0.25 [.010] .XX= ± 0.13 [.005]		THE INFORMATION HEREIN CONTAINS PROPRIETARY INFORMATION OF SULLINS ELECTRONICS AND IS NOT TO BE REPRODUCED, USED OR DISCLOSED TO OTHERS FOR ANY PURPOSE EXCEPT AS SPECIFICALLY AUTHORIZED IN WRITING BY AN OFFICER OF SULLINS ELECTRONICS.			<b>TITLE</b> 108 SERIES D-SUB H.D. RIGHT ANGLE TYPE	
		PART NUMBER			SDS108-PR <u>   </u> - <u>   </u> <u>   </u> <u>   </u> - <u>S</u> <u>N</u> <u>   </u> <u>   </u> - <u>1</u>	
SIZE	CAGE CODE	DWG. NO.	REV		D	
C	54453	11779				
SCALE: 1:8		SHEET 4 OF 4				