

REV. Status

PRELIMINARY -
03/12/01 LL

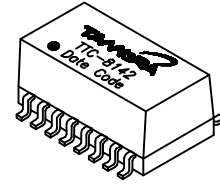
PRELIMINARY 1
CHANGED
MECHANICAL
SPECIFICATION.
07/16/01 LL

PRELIMINARY 2
ADDED
TOLERANCE &
NEW LOGO.
01/22/02 LL



10 Base-T LAN Magnetic Module Single Port, 16 pin SMD

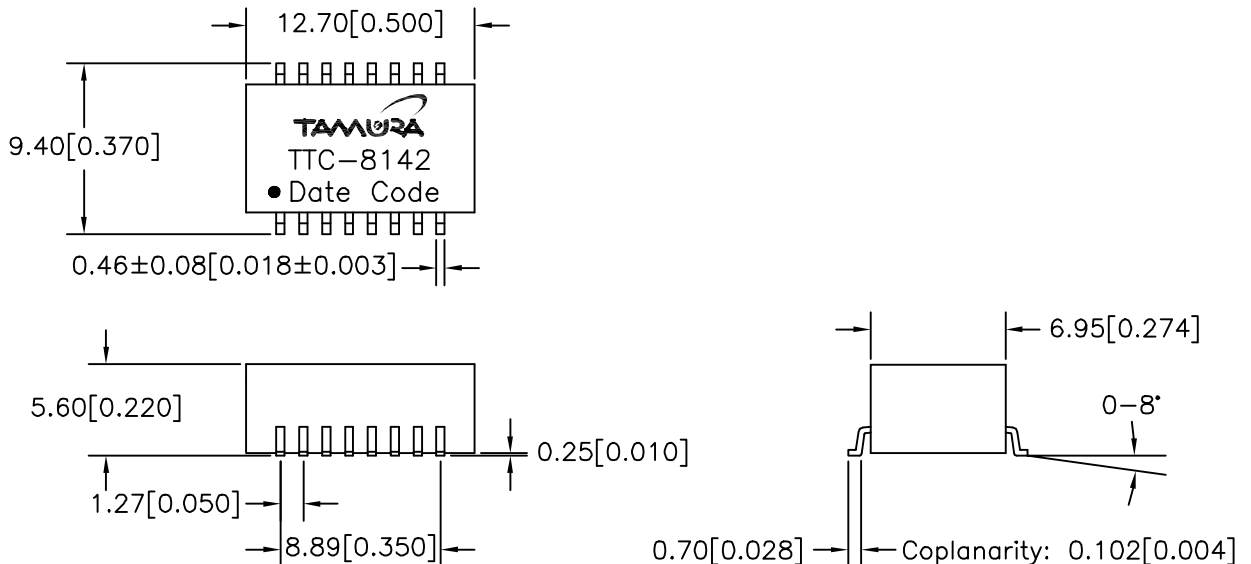
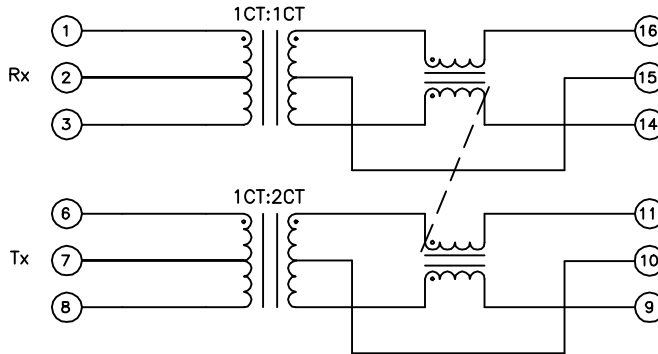
- Complies with IEEE 802.3 Standard
- Surface Mount Device withstands IR reflow profile process
- Enhanced Common Mode Attenuation



MODEL NUMBER

TTC-8142

| Electrical Specification @ 25°C | | | | | |
|---------------------------------|----------------------------|----------------------------|-----------------|-----------------------|-----------------------------|
| DCR (Ω Max) | OCL (μH Min) | | Hipot (Vrms) | Leakage L (μH Max) | C _{ww} (pF Max) |
| (1-3), (6-8) | 100KHz 0.1Vrms (1-3) | 100KHz 0.1Vrms (6-8) | 60 sec | 100KHz 0.1Vrms | 100KHz 0.1Vrms |
| 0.3 | 140 | 25 | 1500 | 0.4 | 15 |



PREPARED BY:

D. Rund

ENGINEER:

L. Le

QUALITY CONTROL:

D. Kelley

APPROVED:

J. Coleman

Note: Unless otherwise specified, all dimensions are mm[in] with tolerance of ±0.25[0.010]

DWG CONTROL NO. P-A1-12748
ACAD\TTC\A1127481.DWG

REV PR2

10 BASE-T LAN5 MAGNETIC MODULE
SINGLE PORT, 16 PIN SMD

TAMURA CORPORATION OF AMERICA
43352 BUSINESS PARK DRIVE, TEMECULA, CA. 92590-6624
(909) 699-1270 FAX 9096769482

TTC-8142

MODEL SPECIFICATION

DIM: MM[IN] SCL: NONE SH: 1 OF 1

PROPRIETARY NOTICE: THIS DRAWING PRINT OR DOCUMENT AND SUBJECT MATTER DISCLOSED HEREIN ARE PROPRIETARY ITEMS TO WHICH TAMURA RETAINS THE EXCLUSIVE RIGHT OF DISSEMINATION, REPRODUCTION, MANUFACTURE AND SALE. THIS DRAWING, PRINT OR DOCUMENT IS SUBMITTED IN CONFIDENCE FOR CONSIDERATION BY THE RECIPIENT ALONE UNLESS PERMISSION FOR FURTHER DISCLOSURE IS EXPRESSLY GRANTED IN WRITING.