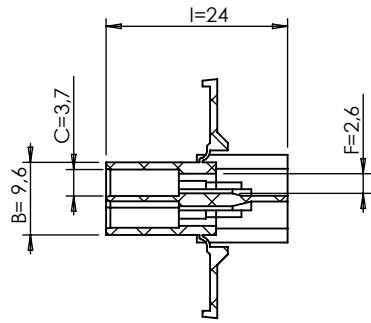


D

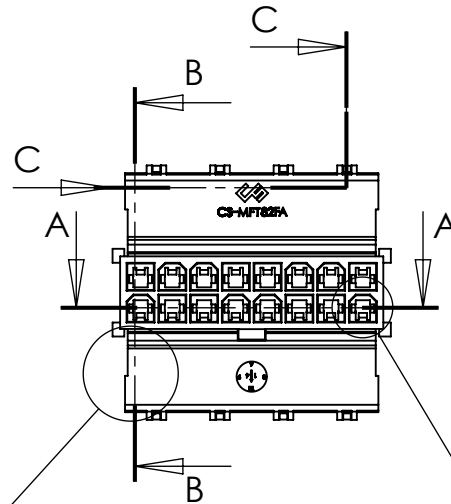
C

B

A

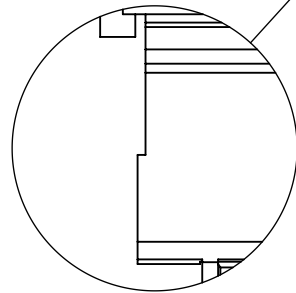
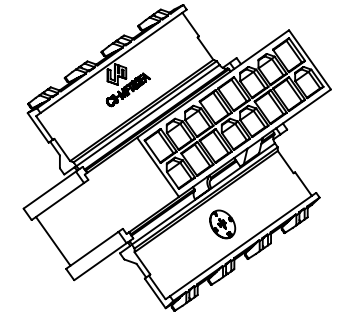
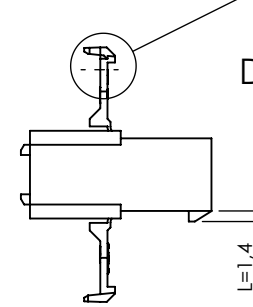


SEZIONE B-B

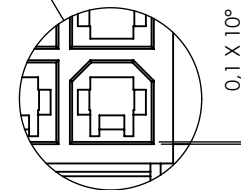


SEZIONE C-C

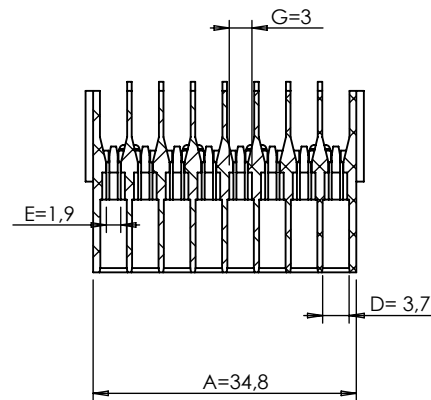
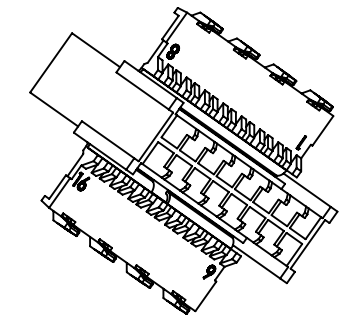
DETTAGLIO H
SCALA 3 : 1



DETTAGLIO G
SCALA 3 : 1



DETTAGLIO E
SCALA 3 : 1



SEZIONE A-A

5	Modifica sportello: scaricata parte interna	26-02-2015
4	Inserito datario e nuovo termoplastico	16-06-2014
3	Aggiornate misure generali + modifica dettaglio D / Dimension updating + modify Detail D	11-07-2013
2	Smussi sulle cavità / Chamfer around the cavity (Detail F)	24-06-2013
1	Rinforzo ganci di chiusura sportello / Improved hook on secondary lock (Detail D)	10-12-2012
INDEX	MODIFICATION	DATE



CS S.r.l.
20063 CERNUSCO S/N - VIA COMO, 11
TEL +39.02.9210.7404 - FAX +39.02.9210.0217
<http://www.csconnectors.com> - e-mail: info@csconnectors.com



CHECKED BY Stefano Galimberti	DATE 26-02-2015	DESIGN UNITS METRIC
DRAWN BY Luca Viscardi	DATE 26-02-2015	WEIGHT
CAD REFER	SIZE A4	SCALE 1:1
		INDEX 0 15-02-2012

DIMENSIONS WITHOUT TOLERANCES		CS-MFT82F	PA66 UL94 V-2
0 - 6		CS-MFT82FV0	PA6/66 UL94 V-0
6 - 30		CS-MFT82FSTY	PA46 UL94 V-2
> 30		CS-MFT82FV0750NF	PA66 UL94 V-0 GWIT 775
		CS-MFT82F-G	PA6 UL94 V-2 GWIT 775
		CS-MFT82F-162/05	PA66GF7-05 UL94-V2 GWIT 775°C
		PART NUMBER	MATERIAL



BASE CODE CS-MFT82F	DESCRIPTION MFT FEMALE CONNECTOR FOR PANEL, 8X2 POLES
------------------------	--