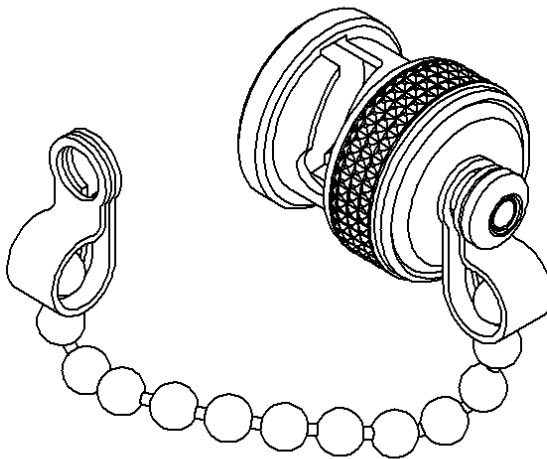
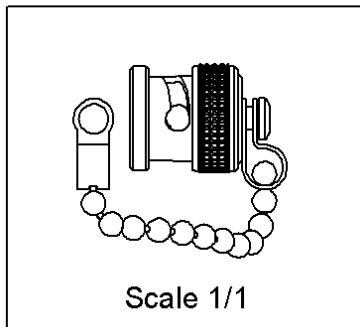
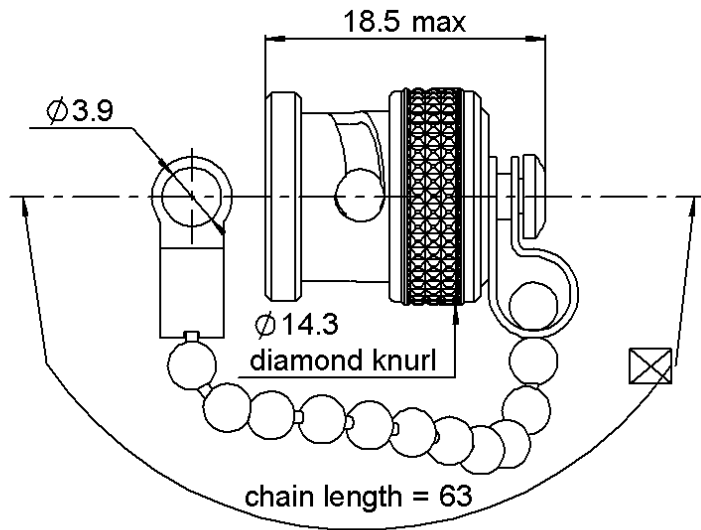


**MALE PROTECTIVE CAP  
WITH CHAIN**

**R141.812.000**

Series : BNC



All dimensions are in mm.



COMPONENTS	MATERIALS	PLATING ( $\mu\text{m}$ )
BODY	BRASS	NICKEL 2
CENTER CONTACT	-	-
OUTER CONTACT	-	-
INSULATOR	-	-
GASKET	SILICONE RUBBER	-
OTHERS PARTS	-	-
-	-	-
-	-	-

Issue : 0744 W

In the effort to improve our products, we reserve the right to make changes judged to be necessary.



**MALE PROTECTIVE CAP  
WITH CHAIN**

**R141.812.000**

Series : BNC

**PACKAGING**

**SPECIFICATION**

Standard	Unit	Other
<b>100</b>	<b>'W' option</b>	<b>Contact us</b>

**ELECTRICAL CHARACTERISTICS**

Impedance		<b>50</b> Ω
Frequency		NA GHz
VSWR	NA +	<b>0,0000</b> x F(GHz) Maxi
Insertion loss		NA √F(GHz) dB Maxi
RF leakage	- (	NA - F(GHz)) dB Maxi
Voltage rating		NA Veff Maxi
Dielectric withstanding voltage		NA Veff mini
Insulation resistance		NA MΩ mini

**ENVIRONMENTAL**

Operating temperature	<b>-65/+165</b> ° C
Hermetic seal	NA Atm.cm3/s
Panel leakage	NA

**OTHER CHARACTERISTICS**

Assembly instruction

Others :

**MECHANICAL CHARACTERISTICS**

Center contact retention		
Axial force – Mating end	NA	N mini
Axial force – Opposite end	NA	N mini
Torque	NA	N.cm mini
Recommended torque		
Mating	NA	N.cm
Panel nut	NA	N.cm
Mating life	<b>500</b>	Cycles mini
Weight	<b>6,5400</b>	g

Issue : 0744 W

In the effort to improve our products, we reserve the right to make changes judged to be necessary.

