

# Dual channel IO-Link device expansion board based on L6364W for STM32 Nucleo



## Features

- Based on the [L6364W](#) IO-Link device dual transceiver with the following main characteristics:
  - 2-channel (CQ and DIO) IO-Link PHY layer
  - IO-Link DLL (M-sequence handler and checksum)
  - Wake-up detection
  - Interrupt diagnostic pin
  - SPI and UART interfaces
  - 50 mA 3.3 V and 5.0 V linear regulators
  - 50 mA adjustable (5.0 ÷ 10.8 V) buck converter
  - Overload protection with adjustable intervention threshold
  - Overheating protection with adjustable shutdown threshold
  - Full reverse polarity on process side
  - Ground and V<sub>CC</sub> wire break protections
  - CSP19 (2.5 x 2.5 mm) package
- 5 to 35 V operating voltage range
- Red LED and green LED for status diagnostics
- Radiated Emissions (EM Fields 30 MHz-1 GHz) < 40dB µV/m
- Immunity to conducted disturbance (150 kHz-80 MHz) ≤ 10 V
- Immunity to RF EM Fields (80 MHz-1 GHz) ≤ 10 V/m
- Immunity to RF EM Fields (1 GHz-2.7 GHz) ≤ 3 V/m
- Immunity to SURGE pulse (500 Ohm coupling) ≤ ± 1.2 kV
- Immunity to ESD contact/air ≤ ±3 kV
- Immunity to BURST noise ≤ ±1 kV
- Compatible with [STM32 Nucleo](#) development boards
- Equipped with Arduino UNO R3 connectors
- RoHS and WEEE compliant

Product summary	
Dual channel IO-Link device expansion board based on L6364W for STM32 Nucleo	<a href="#">STEVAL-IOD002V1</a>
Industrial IO-Link device software expansion for STM32Cube	<a href="#">X-CUBE-IOD02</a>
Dual channel SIO and IO-Link PHY device	<a href="#">L6364W</a>
Motion MEMS and microphone MEMS expansion board for STM32 Nucleo	<a href="#">X-NUCLEO-IKS02A1</a>
Applications	Factory Automation IO-Link modules

## Description

The [STEVAL-IOD002V1](#) expansion board for [STM32 Nucleo](#) is based on the [L6364W](#) dual channel SIO and IO-Link PHY device transceiver embedding 50 mA 3.3 V and 5.0 V voltage regulators, DC-DC converter and M-sequence management.

The expansion board provides an affordable and easy-to-use solution for the development of SIO and IO-Link industrial sensor applications, letting you easily evaluate the [L6364W](#) communication features and robustness.

The [STEVAL-IOD002V1](#) communicates with the STM32 controller via SPI and GPIO pins and it is compatible with the Arduino UNO R3 (default configuration) and ST morpho (optional, not mounted) connectors (when connected to a [NUCLEO-L073RZ](#) or [NUCLEO-G071RB](#) development board).

Communication via IO-Link can be performed in either Multi-byte and Single-byte modes with SPI control of IC configuration and bidirectional sensor data transmission, or in Transparent mode with SPI control of IC configuration and UART interfacing for bidirectional sensor data transmission.

The switches on the [STEVAL-IOD002V1](#) conveniently allow you to configure [L6364W](#) and expansion board settings such as transmission mode and DC-DC converter enable/disable according to application requirements.

You can also perform evaluation of comprehensive industrial sensor modules by connecting the [STEVAL-IOD002V1](#) to the [X-NUCLEO-IKS02A1](#) sensor shield.

# 1 Schematic diagrams

Figure 1. STEVAL-IOD002V1 circuit schematic (1 of 2)

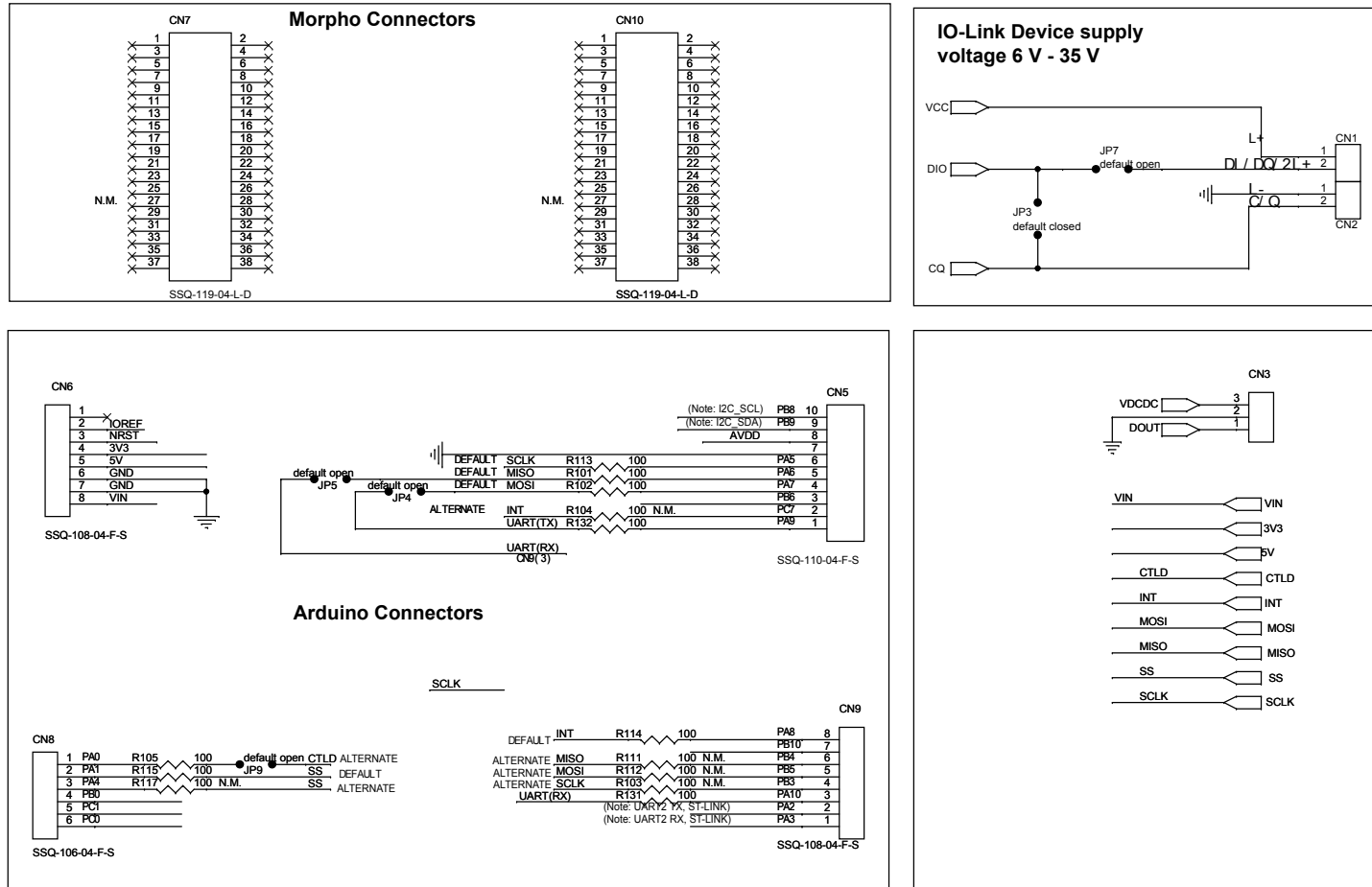
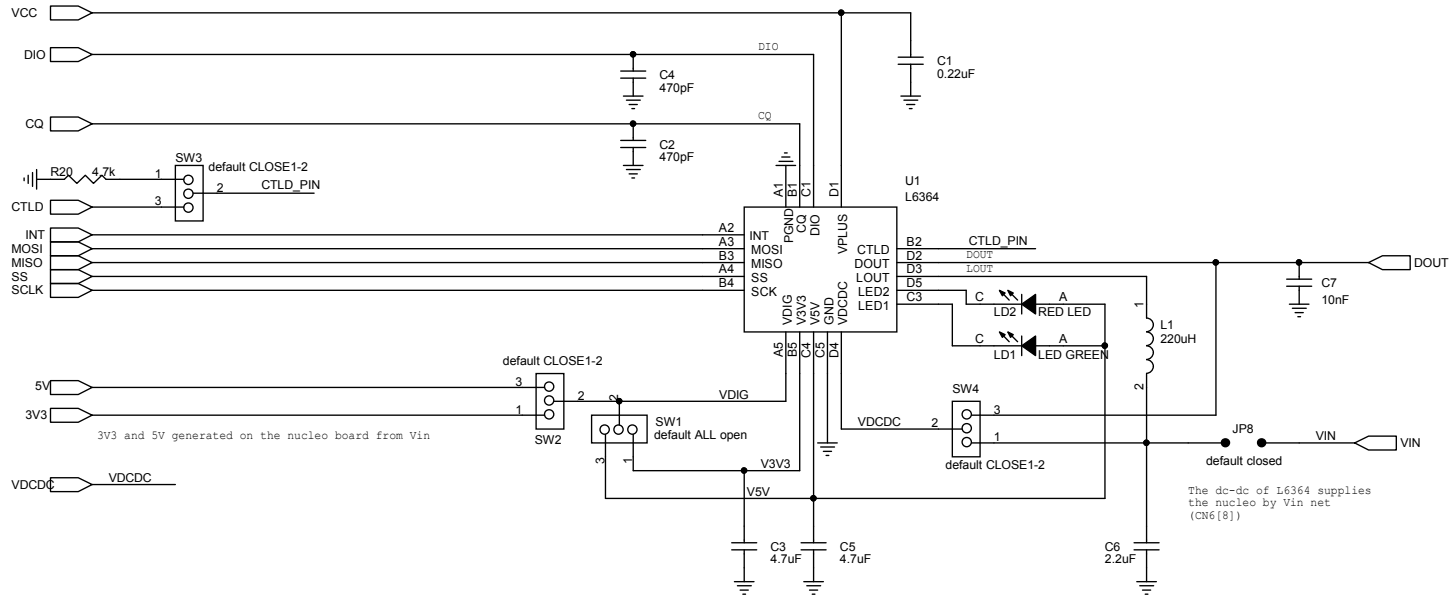


Figure 2. STEVAL-IOD002V1 circuit schematic (2 of 2)



## Revision history

**Table 1. Document revision history**

Date	Version	Changes
03-Feb-2020	1	Initial release.
22-Feb-2021	2	Updated cover page product summary table.
14-Oct-2021	3	Updated cover image.

**IMPORTANT NOTICE – PLEASE READ CAREFULLY**

STMicroelectronics NV and its subsidiaries (“ST”) reserve the right to make changes, corrections, enhancements, modifications, and improvements to ST products and/or to this document at any time without notice. Purchasers should obtain the latest relevant information on ST products before placing orders. ST products are sold pursuant to ST’s terms and conditions of sale in place at the time of order acknowledgement.

Purchasers are solely responsible for the choice, selection, and use of ST products and ST assumes no liability for application assistance or the design of Purchasers’ products.

No license, express or implied, to any intellectual property right is granted by ST herein.

Resale of ST products with provisions different from the information set forth herein shall void any warranty granted by ST for such product.

ST and the ST logo are trademarks of ST. For additional information about ST trademarks, please refer to [www.st.com/trademarks](http://www.st.com/trademarks). All other product or service names are the property of their respective owners.

Information in this document supersedes and replaces information previously supplied in any prior versions of this document.

© 2021 STMicroelectronics – All rights reserved