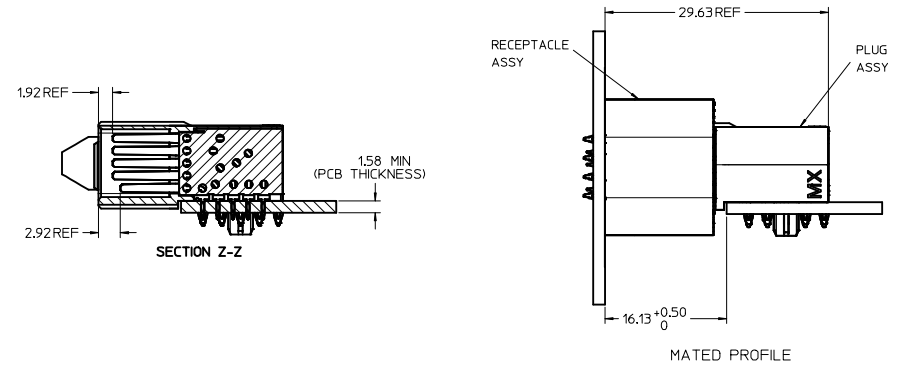
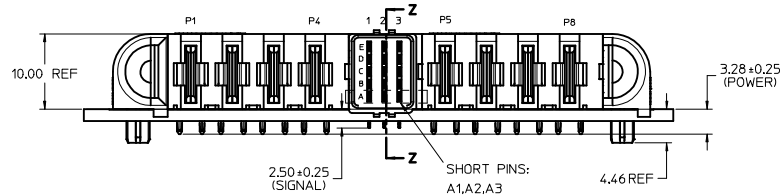


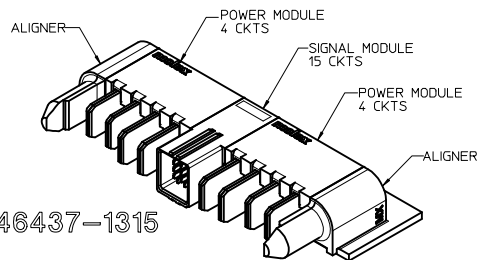
RECOMMENDED PCB LAYOUT AND KEEP-OUT ZONE



NOTES:

- MATERIAL:
 - HOUSINGS: LCP UL94 V-0, COLOR: BLACK.
 - TERMINALS: COPPER ALLOY.
 - PLATING: 0.00127 NICKEL OVERALL WITH 0.00254 SELECTIVE MATTE TIN ON TAILS, AND 0.000762 SELECTIVE GOLD ON CONTACT AREA.
- PACKAGING ASSEMBLIES TO BE TRAY PACKED, STD. QUANTITY: TBD.
- PC BOARD REQUIRES SOLDER THRU HOLES. REFER TO PS-46436-100 FOR DETAILS.
- PRODUCT SPEC.: PS-46436-100.
- APPLICATION SPEC.: AS-46436-100.
- SEE PRODUCT SPEC. FOR ROHS REQUIREMENTS.
- ASSEMBLY MATES WITH MOLEX RECEPTACLE ASSEMBLY, P/N 46562-1232.

P/N: 46437-1315



INITIAL RELEASE EC NO: UCP2013-0385 DRWNL:KCHEW CHKD: APPR:SHONG	2012/07/30	2012/07/30	2012/11/06	QUALITY SYMBOLS	GENERAL TOLERANCES (UNLESS SPECIFIED)	DIMENSION STYLE MM ONLY	SCALE 3:1	DESIGN UNITS METRIC	THIRD ANGLE PROJECTION
				▽=0	4 PLACES ± --- ± ---	DRAWN BY GB	DATE 2012/06/22	TITLE RA PLUG ASSY G-4P-15S-4P-G TEN60 POWER FAMILY	
				▽=0	3 PLACES ± --- ± ---	CHECKED BY JESSIECHUA	DATE		
				▽=0	2 PLACES ± 0.25 ± ---	APPROVED BY SHONG	DATE 2012/11/06		
				▽=0	1 PLACE ± 0.25 ± ---	MATERIAL NO. 46437-1315	DOCUMENT NO. SD-46437-1315		
					0 PLACE ± --- ± ---	ANGULAR ±1/2°			
					DRAFT WHERE APPLICABLE MUST REMAIN WITHIN DIMENSIONS	SIZE A	THIS DRAWING CONTAINS INFORMATION THAT IS PROPRIETARY TO MOLEX INCORPORATED AND SHOULD NOT BE USED WITHOUT WRITTEN PERMISSION		