

MATERIAL

- Flange: zinc-plated steel with bayonet connector.
- Basket: polypropylene based (PP) technopolymer, black colour.

PACKING RINGS

Cork impregnated MGS based rubber.

MOUNTING

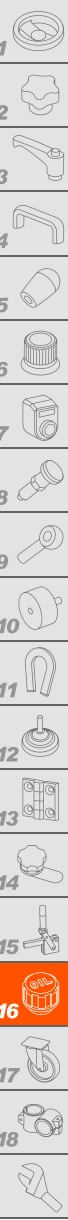
By means of six zinc-plated steel self-tapping screws TC-N10 (Ø 4.8x19) UNI 6951-DIN 7971, supplied.

NOTE

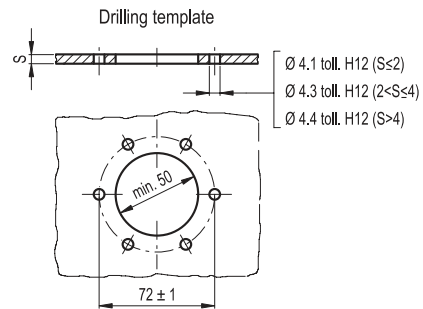
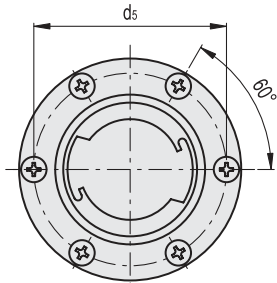
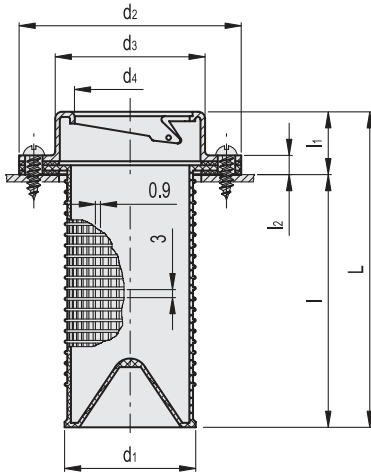
The breather cap to be coupled to the flange is not included in the supply and has to be ordered separately.
Depending on the customer's requirements, can be used breather caps type SFN. (see page 1693), SFP. (see page 1698), SFW. (see page 1712).

SPECIAL EXECUTIONS ON REQUEST

Flange with bayonet connector without basket (FRB).



ELESA Original design **if** Hammer



METRIC

Code	Description	L	d1	d2	d3	d4	d5	l	l1	l2	⚖️
9201	FRB+C	114.5	49	83	58	39	72	94.5	20	7	125