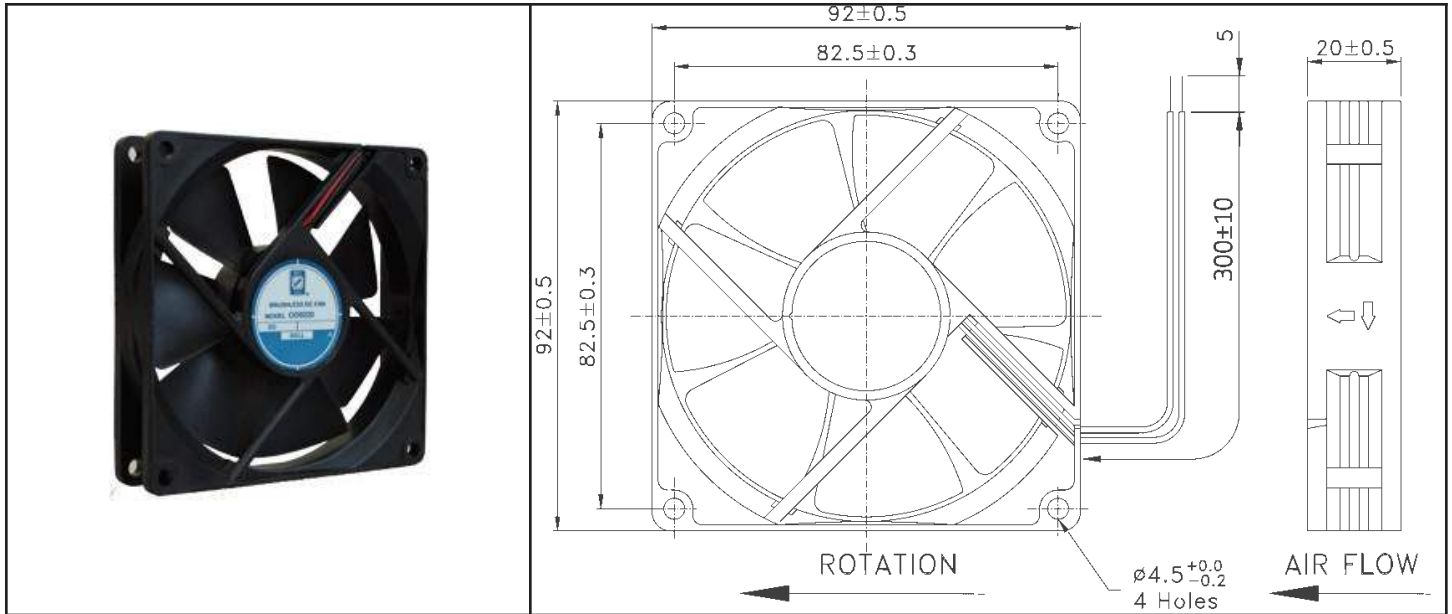


OD9220 Series



DC Fan - 12, 24V
92x20mm (3.6"x 0.79")



Frame & Impeller	PBT, UL94V-0 plastic	Available Options	
Connection	2x Lead wires 24AWG	Tachometer - Open Collector Locked Rotor Alarm	
Motor	Brushless DC, auto restart, polarity protected	Weight: ~0.19 lbs	
Bearing System	Dual ball bearing	Life Expectancy (L10) 65,000 hours (45C)	
Insulation Resistance	10M ohm between leadwire and frame (500VDC)		
Dielectric Strength	1 minute at 500 VAC, max leakage < 500 MicroAmp		
Temperature Range	-10C ~ 70C		
Storage Temperature	-40C ~ +80C	m1	

Model Number	Speed (RPM)	Airflow (CFM)	Noise (dB)	Volts DC	Input Power (Watts)	Rated Current (Amps)	Max. Static Pressure (H ₂ O)
OD9220-12H*	2700	32	36.7	12	8~16	0.25	0.13
OD9220-12M*	2400	28	31	12	8~16	0.16	0.11
OD9220-24H*	2700	32	36.7	24	22~28	0.14	0.13
OD9220-24M*	2400	28	31	24	22~28	0.12	0.11

* Indicate "B" to specify Ball bearing or "S" to specify Sleeve bearing