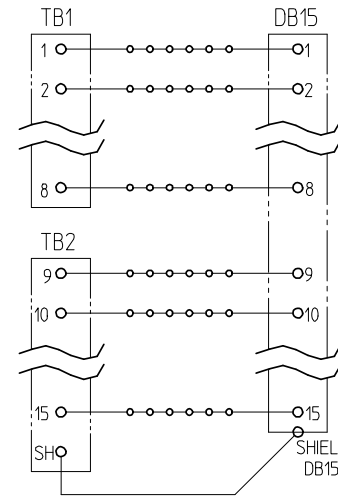
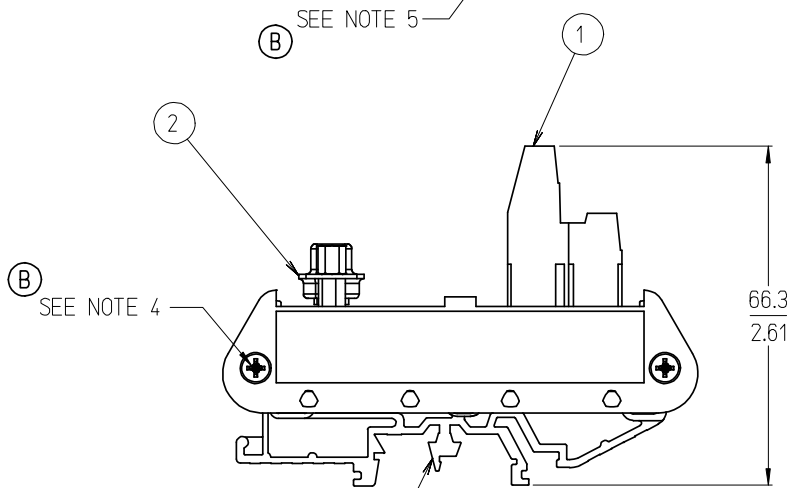


15 POSITION SHOWN



TYPICAL SCHEMATIC (15 POSITION SHOWN)

| NO. OF CIRCUITS | DIM. "A" | MATERIAL NUMBER |
|-----------------|--------------|-----------------|
| 09 | 39.4 [1.55] | 39170-3009 |
| 15 | 54.4 [2.14] | 39170-3015 |
| 25 | 79.8 [3.14] | 39170-3025 |
| 37 | 106.4 [4.19] | 39170-3037 |



NOTES:

- 1. MATERIAL: SEE TABLE
- 2. FINISHES: SEE TABLE
- 3. MATES WITH: MALE D-SUB
- (B) 4. END CAP MOUNT SCREW TORQUE: 0.5 N-m (4.4 lbf-in) MINIMUM
0.6 N-m (5.3 lbf-in) MAXIMUM
- (B) 5. TERMINAL BLOCK SCREW TORQUE: 0.8 N-m (7.1 lbf-in)
- 6. ASSEMBLY ROHS COMPLIANCE NOT REQUIRED.

| ITEM | QTY. | DESCRIPTION | MATERIAL | FINISH |
|------|------|--|------------------|--------|
| 3 | 2 | DIN RAIL ADAPTOR UNIT | THERMOPLASTIC | BLACK |
| 2 | 1 | FEMALE D-SUB TO 5.08 FIXED, PC BOARD ASSY. | - | - |
| 1 | 1 | 5.08 FIXED DUAL LEVEL BTS | SEE SD-39880-006 | BLACK |

ADD SCREW TORQUE
 EC NO: ETC2007-0331
 DRWN: CLYORK 2007/03/12
 CHKD: JMACNEIL 2007/03/14
 APPR: JMACNEIL 2007/03/15

QUALITY SYMBOLS
 ▽=0
 ∇=0

GENERAL TOLERANCES (UNLESS SPECIFIED)

| | mm | INCH |
|----------|--------|--------|
| 4 PLACES | ± --- | ± --- |
| 3 PLACES | ± --- | ± .005 |
| 2 PLACES | ± 0.13 | ± .01 |
| 1 PLACE | ± 0.3 | ± --- |

ANGULAR ± 2 °

DRAFT WHERE APPLICABLE
 MUST REMAIN WITHIN DIMENSIONS

DIMENSION STYLE
MM/IN

SCALE
1:1

DESIGN UNITS
INCH

THIRD ANGLE PROJECTION

DRAWN BY: C. YORK DATE: 2004/11/09
 CHECKED BY: R. STONE DATE: 2004/11/16
 APPROVED BY: G. ROBERTSON DATE: 2004/11/16

MATERIAL NO.
SEE CHART

SIZE
B

TITLE
DIN RAIL INTERFACE MODULE, FEMALE D-SUB TO 5.08MM DUAL LEV. FIXED

MOLEX INCORPORATED

DOCUMENT NO.
SD-39170-002

SHEET NO.
1 OF 1

THIS DRAWING CONTAINS INFORMATION THAT IS PROPRIETARY TO MOLEX INCORPORATED AND SHOULD NOT BE USED WITHOUT WRITTEN PERMISSION