



TE Internal #: 2198234-3  
 SFP, SFP+ & zSFP+, Cage Assembly, Data Rate (Max) 16 Gb/s,  
 Internal/External EMI Springs, SFP+ Enhanced, With Lightpipe, 1 x  
 4, Dual Round, Standard

[View on TE.com >](#)

Connectors > Pluggable IO Connectors & Cages > SFP, SFP+ & zSFP+



Pluggable I/O Product Type: **Cage Assembly**  
 Data Rate (Max): **16 Gb/s**  
 EMI Containment Feature Type: **Internal/External EMI Springs**  
 Pluggable I/O Applications: **SFP+ Enhanced**  
 Lightpipe Options: **With Lightpipe**

## Features

### Product Type Features

Form Factor	SFP+
Cage Type	Ganged
Thermal Accessory Type Included	Heat Sink
Pluggable I/O Product Type	Cage Assembly
Lightpipe Options	With Lightpipe
Connector System	Cable-to-Board
Sealable	No
Connector & Contact Terminates To	Printed Circuit Board

### Configuration Features

Port Matrix Configuration	1 x 4
Lightpipe Configuration	Dual Round
Lightpipe Style	Standard
Lightpipe Profile	Standard
Number of Ports	4

### Electrical Characteristics

Data Rate (Max)	16 Gb/s
-----------------	---------

### Body Features

Heat Sink Height Class	Networking Short
Heat Sink Height	9.1 mm[.358 in]



Heat Sink Style	Pin
-----------------	-----

### Termination Features

Termination Post & Tail Length	2.05 mm[.081 in]
Termination Method to Printed Circuit Board	Through Hole - Press-Fit

### Mechanical Attachment

Connector Mounting Type	Board Mount
-------------------------	-------------

### Housing Features

Cage Material	Nickel Silver
---------------	---------------

### Dimensions

PCB Thickness (Recommended)	2.25 mm[.089 in]
-----------------------------	------------------

### Usage Conditions

Operating Temperature Range	-55 – 105 °C[-67 – 221 °F]
-----------------------------	----------------------------

### Operation/Application

Heat Sink Compatible	Yes
For Use With Pluggable I/O Products	SFP+ SMT Connector
Pluggable I/O Applications	SFP+ Enhanced
Circuit Application	Signal

### Packaging Features

Packaging Method	Box & Tray, Package
------------------	---------------------

### Other

EMI Containment Feature Type	Internal/External EMI Springs
------------------------------	-------------------------------

## Product Compliance

[For compliance documentation, visit the product page on TE.com>](#)

EU RoHS Directive 2011/65/EU	Compliant
EU ELV Directive 2000/53/EC	Compliant
China RoHS 2 Directive MIIT Order No 32, 2016	No Restricted Materials Above Threshold
EU REACH Regulation (EC) No. 1907/2006	Current ECHA Candidate List: JUNE 2023 (235) Candidate List Declared Against: JUNE 2023 (235) Does not contain REACH SVHC
Halogen Content	Not Low Halogen - contains Br or Cl > 900

ppm.

Solder Process Capability

Not applicable for solder process capability

Product Compliance Disclaimer

This information is provided based on reasonable inquiry of our suppliers and represents our current actual knowledge based on the information they provided. This information is subject to change. The part numbers that TE has identified as EU RoHS compliant have a maximum concentration of 0.1% by weight in homogenous materials for lead, hexavalent chromium, mercury, PBB, PBDE, DBP, BBP, DEHP, DIBP, and 0.01% for cadmium, or qualify for an exemption to these limits as defined in the Annexes of Directive 2011/65/EU (RoHS2). Finished electrical and electronic equipment products will be CE marked as required by Directive 2011/65/EU. Components may not be CE marked. Additionally, the part numbers that TE has identified as EU ELV compliant have a maximum concentration of 0.1% by weight in homogenous materials for lead, hexavalent chromium, and mercury, and 0.01% for cadmium, or qualify for an exemption to these limits as defined in the Annexes of Directive 2000/53/EC (ELV). Regarding the REACH Regulation, the information TE provides on SVHC in articles for this part number is based on the latest European Chemicals Agency (ECHA) 'Guidance on requirements for substances in articles' posted at this URL: <https://echa.europa.eu/guidance-documents/guidance-on-reach>

## Compatible Parts



TE Part # 2110759-1  
PT CONN ASSY 20 POS 16G SFP



TE Part # CAT-C11-N490333  
QSFP28-Four SFP+ Cable Assembly:  
30 AWG



TE Part # CAT-C11-N490325  
QSFP28-Four SFP+ Cable Assembly:  
26 AWG



TE Part # CAT-C11-N4901114  
SFP28 to SFP28 Cable Assembly: 30  
AWG



TE Part # CAT-C11-N49011  
SFP28 to SFP28 Cable Assembly: 26  
AWG



TE Part # CAT-Q17-N49011  
QSFP56-Four SFP56 Cable Assembly:  
30 AWG



TE Part # CAT-Q17-N490333  
QSFP56-Four SFP56 Cable Assembly:  
26 AWG



TE Part # 4-2821222-5  
SFP56 DIRECT ATTACH CA, 2M,  
30AWG



TE Part # 4-2821224-5  
SFP56 DIRECT ATTACH CA, 3M,  
26AWG



TE Part # 4-2334985-2  
SFP56 DIRECT ATTACH CA, 1M,  
32AWG



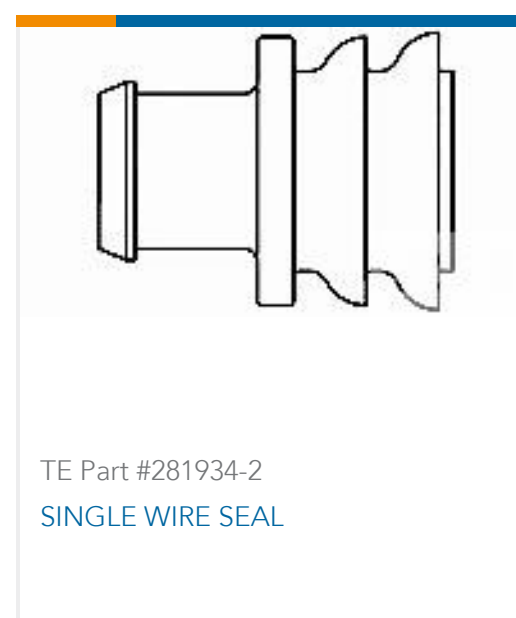
TE Part # CAT-C11-H5  
SFP+ to SFP+ I/O Cable Assembly: 24  
AWG



TE Part # CAT-C11-H50626  
SFP+ to SFP+ I/O Cable Assembly: 30  
AWG



## Customers Also Bought



## Documents

### Product Drawings

SFP+ Enhanced 1x4, Net Heatsink, LP

English

### CAD Files

Customer View Model

[ENG\\_CVM\\_CVM\\_2198234-3\\_2.2d\\_dxf.zip](#)

English

[3D PDF](#)



3D

Customer View Model

[ENG\\_CVM\\_CVM\\_2198234-3\\_2.3d\\_igs.zip](#)

English

Customer View Model

[ENG\\_CVM\\_CVM\\_2198234-3\\_2.3d\\_stp.zip](#)

English

By downloading the CAD file I accept and agree to the [Terms and Conditions](#) of use.

---

## Product Specifications

[Product Specification](#)

English

[Product Specification](#)

English

---

## Product Environmental Compliance

[TE Material Declaration](#)

English