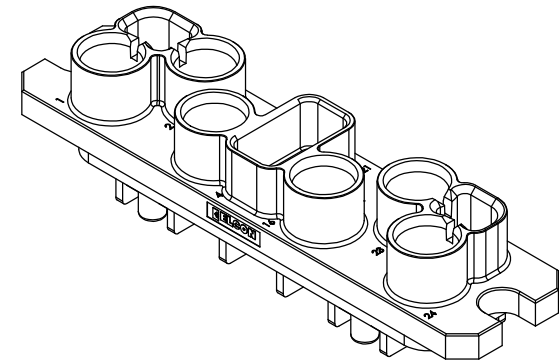


This drawing involves proprietary design rights of Tyco Electronics Corporation, and all design, manufacture, reproduction, use and sale rights regarding the same are expressly reserved. It is submitted for a specific purpose and the recipient by accepting this drawing, assumes custody and control and agrees to take reasonable precautions: (a) that this drawing will not be copied and reproduced, in whole or in part, or disseminated revealed in any manner, or to any person except to meet the purpose for which it was delivered and (b) that any special features peculiar to this design will not be incorporated in other projects without the expressed written permission of Tyco Electronics Corporation.

REVISIONS		
EC	REV	DESCRIPTION
CPR	A	NEW RELEASE
		DATE
		02/07/06

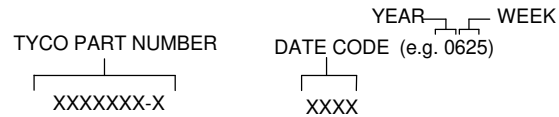


PIN HOUSING ASSEMBLY

6766615-1
PART NUMBER

6. SEE DRAWING C-6651585 FOR COMPLETE PIN CONNECTOR INFORMATION.

5. ITEMS PROVIDED TO THIS SPECIFICATION TO BE PERMANENTLY IDENTIFIED PER THE FOLLOWING IDENTIFIER:



4. A REFERENCE DIMENSION (X.XX) IS WITHOUT TOLERANCE AND USED FOR INFORMATION ONLY.

3. FINISHES:
INSULATOR: AS MOLDED, COLOR BLACK
RETENTION CLIPS: CLEAN

2. MATERIALS:
INSULATORS: THERMOPLASTIC, GLASS REINFORCED
UL RATED 94V-0 FLAMMABILITY RATED

RETENTION CLIPS: BERYLLIUM COPPER OR STAINLESS STEEL

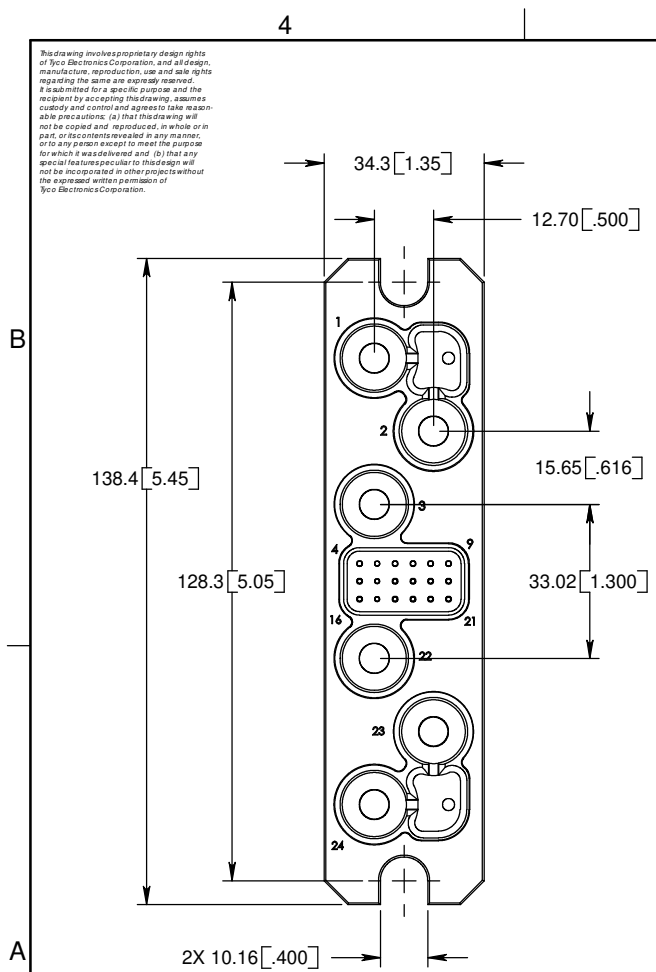
1. PART NUMBER CHANGES AND OR DESIGN CHANGES AFFECTING ITEM INTERCHANGEABILITY REQUIRE PRIOR ELCON APPROVAL AND AUTHORIZATION BY REVISION TO THIS DRAWING.

NOTES: UNLESS OTHERWISE SPECIFIED

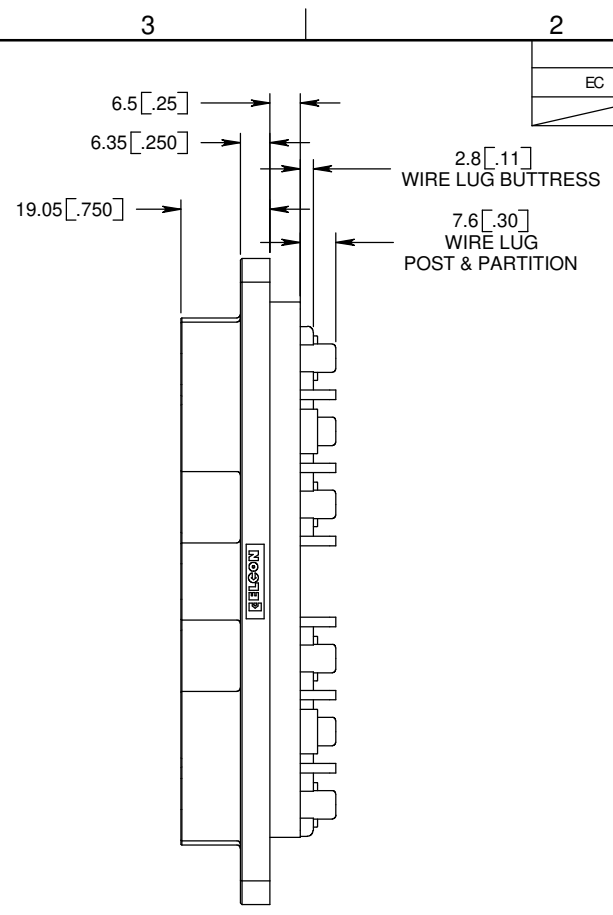
<p>← MM → OR MM [INCH]</p> <p>THIRD ANGLE PROJECTION</p> <p>UNLESS OTHERWISE SPECIFIED DIMENSIONS ARE IN MILLIMETERS [INCH]</p> <p>TOLERANCES</p> <p>ANGLES ± 2.0°</p> <p>DECIMALS</p> <p>.XX ± 0.25 [.010]</p> <p>.X ± 0.5 [.02]</p>	DRAWN R. Larsen/Ha Nguyen	DATE 02/07/06	Tyco Electronics Corporation Menlo Park, CA 94025 	
	CHECKED			TITLE CONNECTOR, PIN 6 x # 4 PWR & 18 x # 20 SIGNAL CONTACTS CUSTOM DRAWER
	APPROVED D. CHAU	02/07/06		SIZE DWG NUMBER B C □ 6766615
	DCA APPROVED HA NGUYEN	02/07/06		REV. A
FILENAME	SC6766615A.SLDDRW		DWG SCALE: 1 = 1 SH 1 OF 2	

This drawing involves proprietary design rights of Tyco Electronics Corporation, and all design, manufacture, reproduction, use and sale rights regarding the same are expressly reserved. It is submitted for a specific purpose and the recipient by accepting this drawing, assumes custody and control and agrees to take reasonable precautions: (a) that this drawing will not be copied and reproduced, in whole or in part, or disseminated revealed in any manner, or to any person except to meet the purpose for which it was delivered and (b) that any special features peculiar to this design will not be incorporated in other projects without the expressed written permission of Tyco Electronics Corporation.

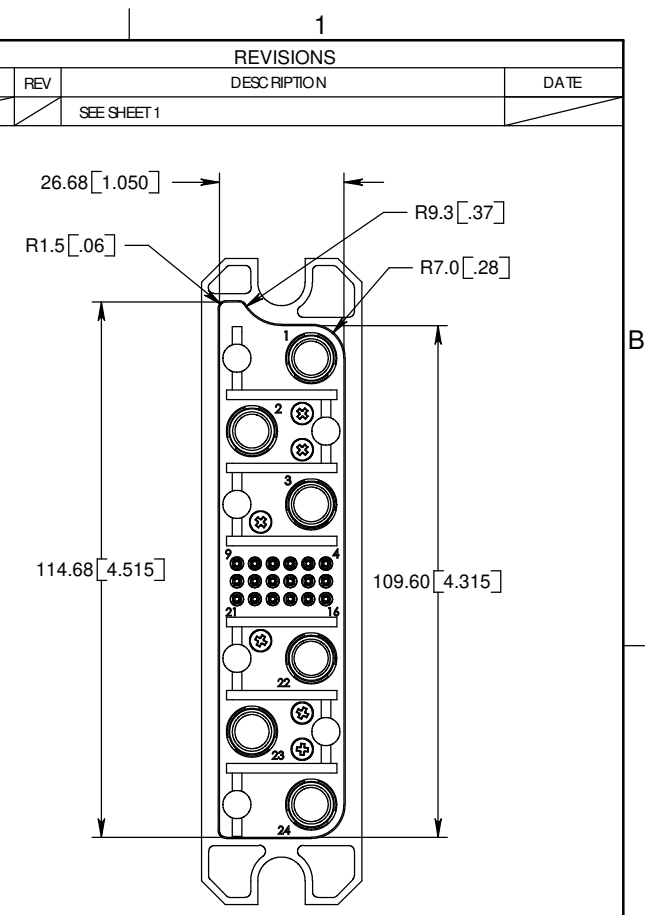
REVISIONS			DATE
EC	REV	DESCRIPTION	
		SEE SHEET 1	



ASSEMBLY TOP VIEW



ASSEMBLY SIDE VIEW



ASSEMBLY BOTTOM VIEW

THIRD ANGLE PROJECTION UNLESS OTHERWISE SPECIFIED DIMENSIONS ARE IN MILLIMETERS [INCH] TOLERANCES ANGLES ± 2.0° DECIMALS .XX ± 0.25 [.010] .X ± 0.5 [.02]	DRAWN R. Larsen/Ha Nguyen	DATE 02/07/06	Tyco Electronics Tyco Electronics Corporation Menlo Park, CA 94025 ELECON	
	CHECKED			TITLE CONNECTOR, PIN 6 x # 4 PWR & 18 x # 20 SIGNAL CONTACTS CUSTOM DRAWER
	APPROVED D. CHAU	02/07/06	SIZE B	DWG NUMBER G 6766615
	DCA APPROVED HA NGUYEN	02/07/06	REV. A	
FILENAME SC6766615A.SLDDRW	DWG SCALE: 1 = 1		SH 2 OF 2	