



ANATECH ELECTRONICS INC
RF & Microwave Filters & Products

4775-5000 MHz Cavity Bandpass Filter

Part Number: AB4887B1059



Electrical specifications

Passband: 4775-5000 MHz
Passband Insertion Loss: ≤1.0dB
Passband Return Loss: ≥15dB
Rejection1: ≥90dB @ 4700 MHz
Rejection 2: ≥90dB @ 5075 MHz
Power Handling: 20W(CW)
Input / Output Impedance: 50 Ohms

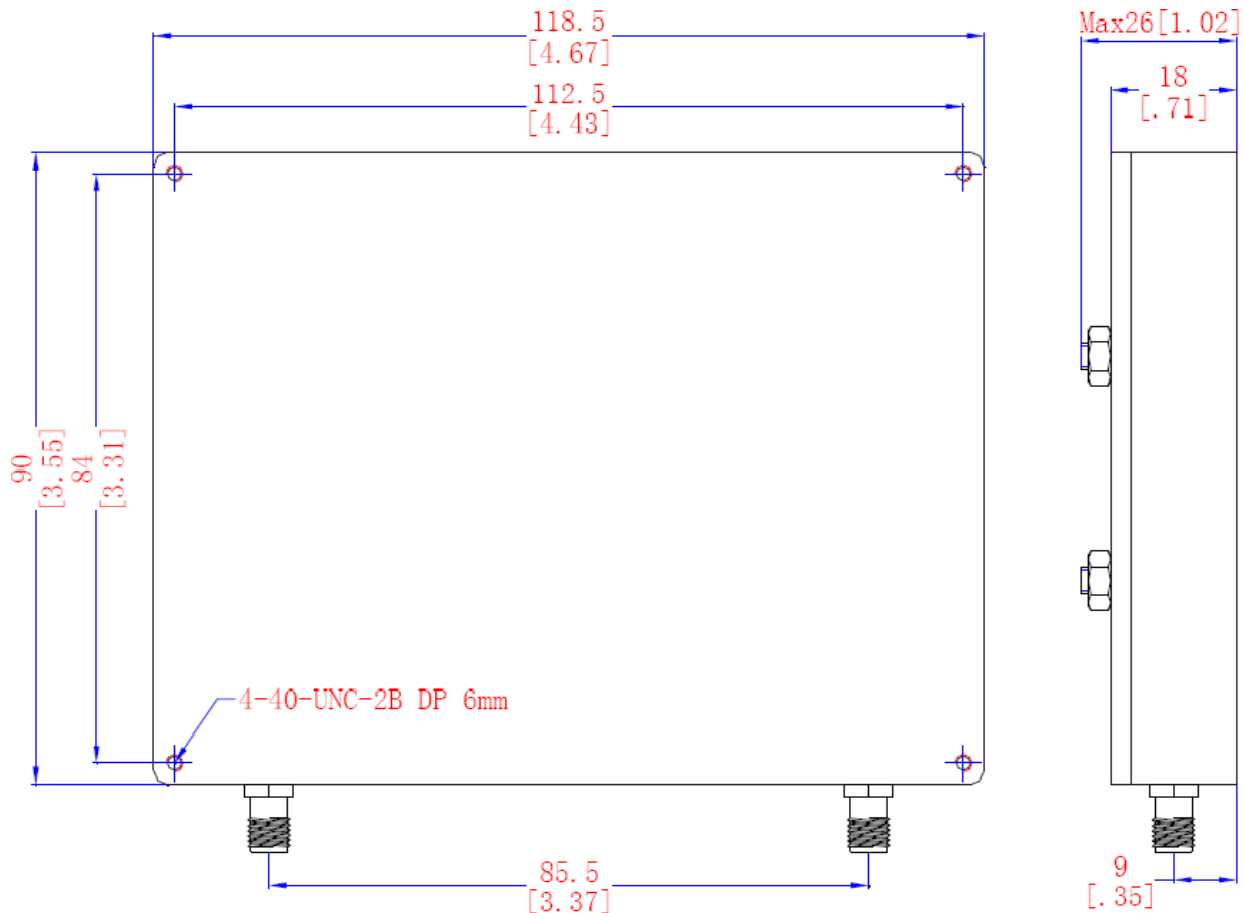
Mechanical

Mounting Method: Threaded Holes
Connector Type: SMA (F)
Dimensions: 4.67 x 3.55 x .71 inches

Environmental

Operating Temperature: 0 to +50 deg. C
Storage temperature: -65 to +95 deg. C
Shock: 20 G's, 1/2 sine, 11ms
Vibration: 10 G's, 10-2000Hz
Relative Humidity: 0-95%

Outline Drawing:



2 decimal places: +/-0.01 inches [+/- 0.3mm]
 3 decimal places: +/- 0.005 inches [+/- 0.13mm]
 Angles: +/- 1 Deg.

When max dimensions are called out the above tolerances do not apply as long as it is under the max call out.