

DWG. NO. SD-35896-002

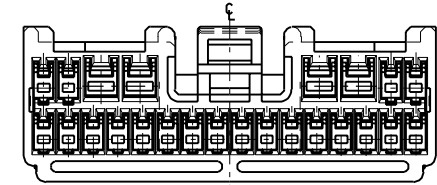
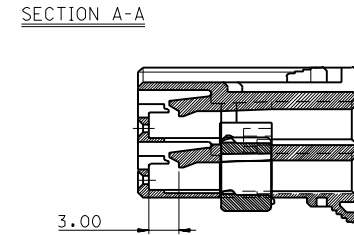
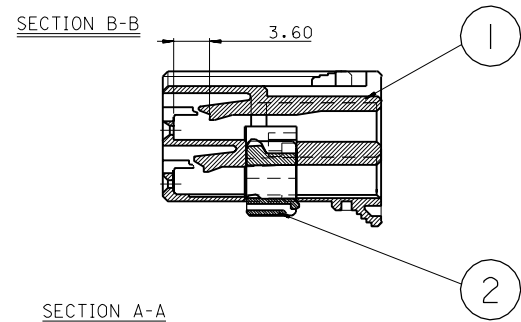
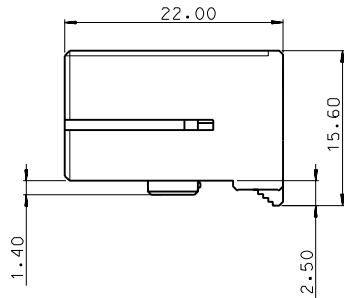
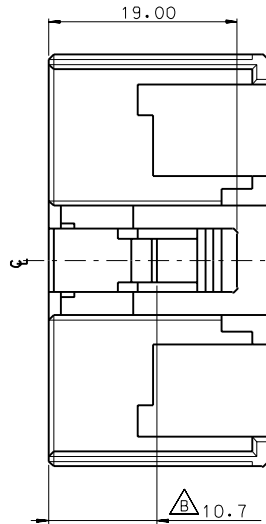
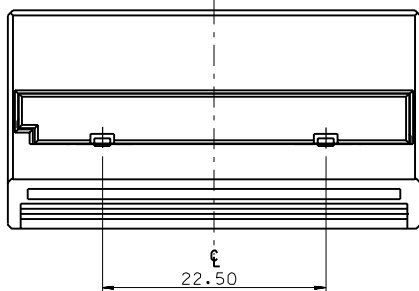
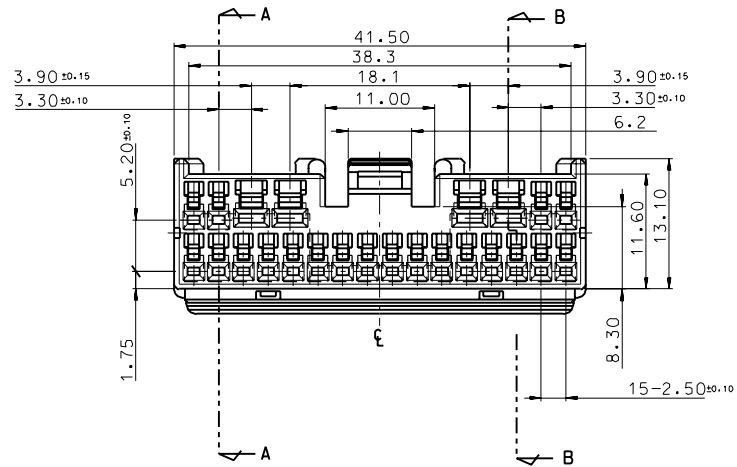
SIMILAR ITEM

PROJECT NO.

B

DO NOT SCALE DRAWING
DIMENSION IN METRIC

NO.	PART NO.	PART NAME	MATERIAL	REMARK
I-1	35896-2490	.040/090 F/HSG 24P	POLYESTER	WHITE
I-2	35896-2491	.040/090 F/HSG 24P	POLYESTER	BLACK
I-3	35896-2495	.040/090 F/HSG 24P	POLYESTER	GRAY
4	35896-2483	.040/090 FEMALE TPA 24P	POLYESTER	YELLOW



NOTE

1. MATERIAL & FINISH: SEE TABLE
2. APPLICATION: .040/090 MALE HOUSING ASS'Y 24P(ENG. NO.:35897-2410)

3	358962415	35896-2415
2	358962411	35896-2411
1	358962410	35896-2410
NO. MATERIAL NO.		ENG. NO.

RELEASE TO MANUFACTURING EC NO.: KOR2002-0139 DRWN: H.C.RHO 02/06/25 CHK: H.C.RHO 02/06/25 APPR: C.W.LEE 02/06/25	QUALITY SYMBOLS MAJOR = CRITICAL = C =	GENERAL TOLERANCES: (UNLESS SPECIFIED) mm INCH 4 PLACES ±0. ±. 3 PLACES ±0. ±. 2 PLACES ±0.2 ±. 1 PLACE ±0.3 ±. ANGULAR: ± 1 °	SCALE 2:1 DESIGN UNITS <input checked="" type="checkbox"/> mm <input type="checkbox"/> INCH THIRD ANGLE PROJECTION	DRAWN BY & DATE 00/06/09 H.C.RHO CHECKED BY & DATE 00/06/09 B.K.CHOI APPROVED BY & DATE 00/06/09 C.W.LEE	TITLE: .040/090 FEMALE HOUSING ASS'Y 24P	
	DIMENSIONS: <input type="checkbox"/> mm <input type="checkbox"/> INCH <input checked="" type="checkbox"/> mm ONLY	SHT REV REVISE ON CAD ONLY	CAD FILENAME 49FHA24	MATERIAL NO. SEE CHART	DRAWING NO. SD-35896-002	SHEET NO. 1 OF 1
	DRAFT WHERE APPLICABLE MUST REMAIN WITHIN DIMENSIONS	THIS DRAWING CONTAINS INFORMATION THAT IS PROPRIETARY TO MOLEX INCORPORATED AND SHOULD NOT BE USED WITHOUT WRITTEN PERMISSION.			SIZE B	
	B	REV	DESCRIPTION	MOLEX INCORPORATED	MX-A3	